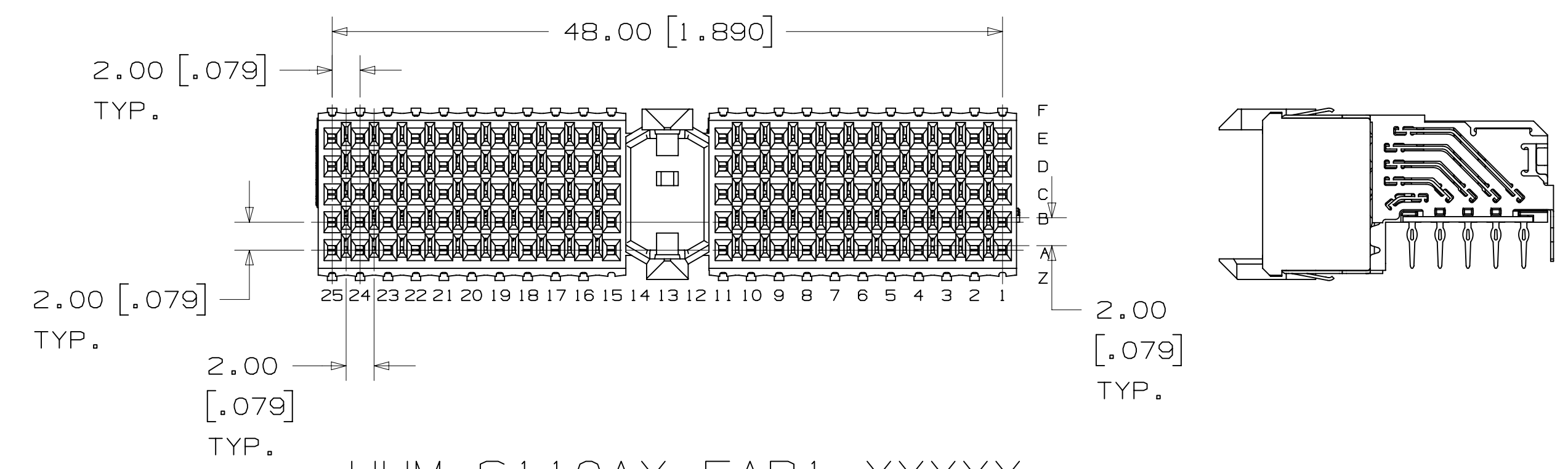
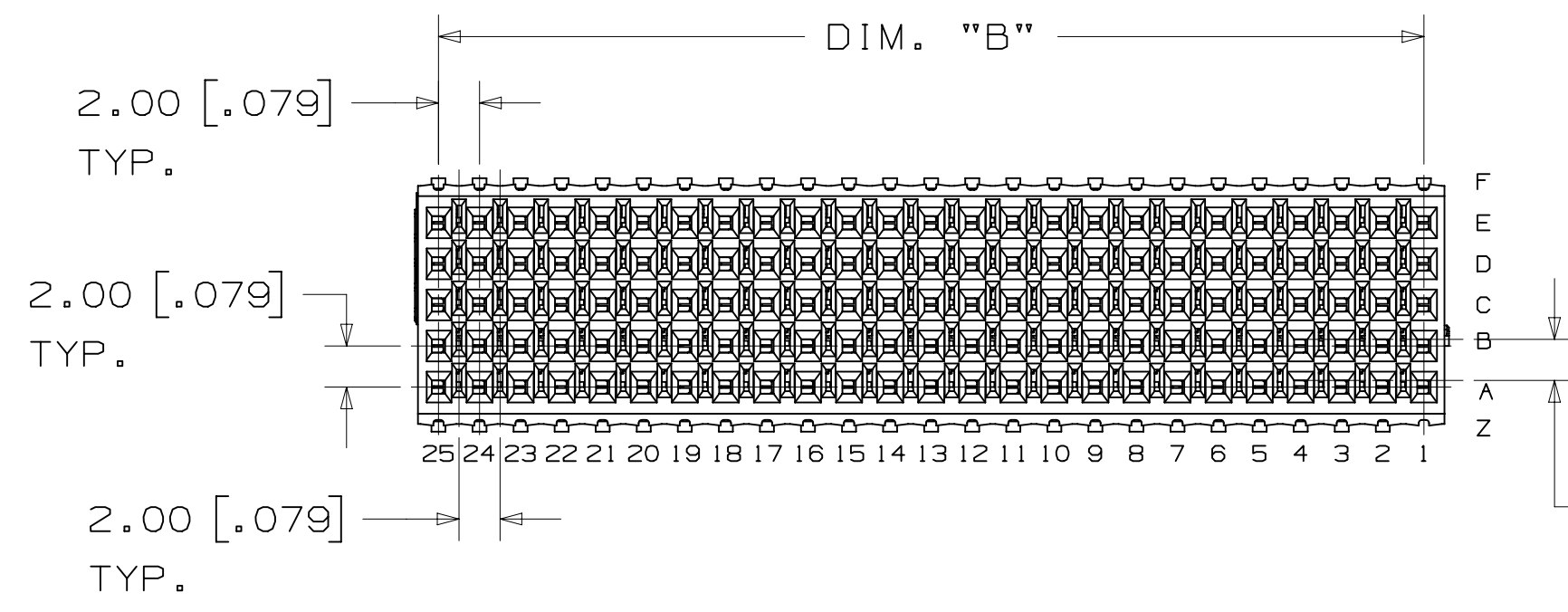
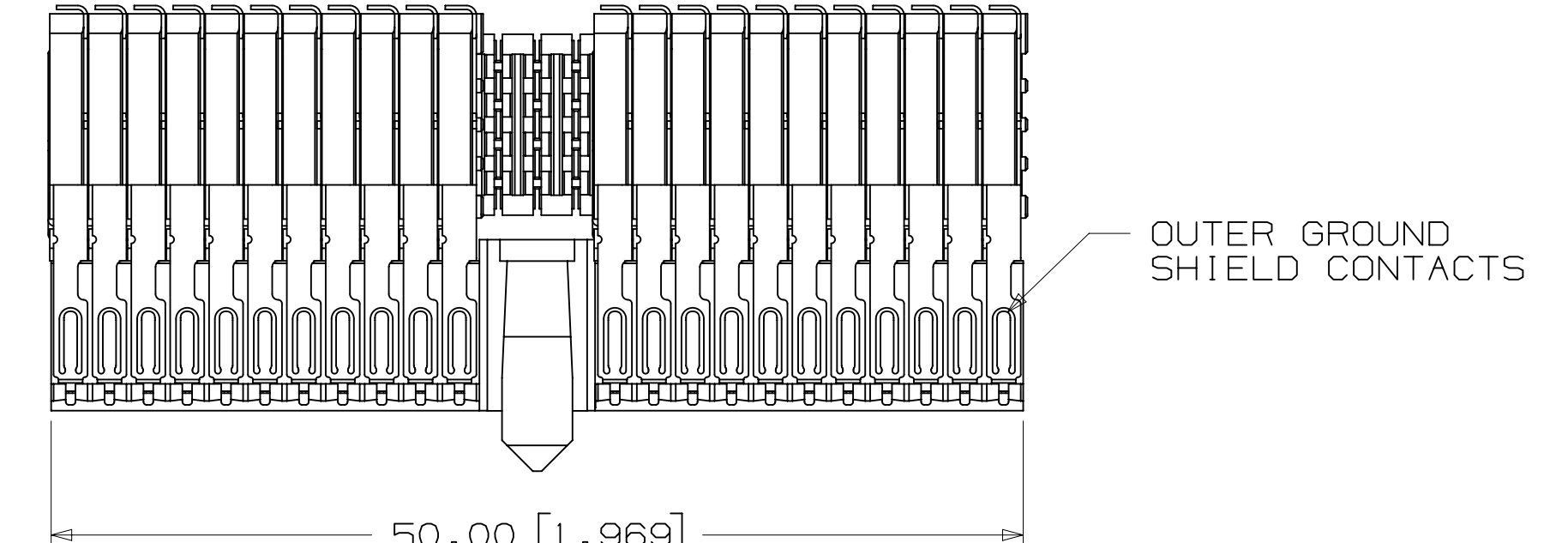
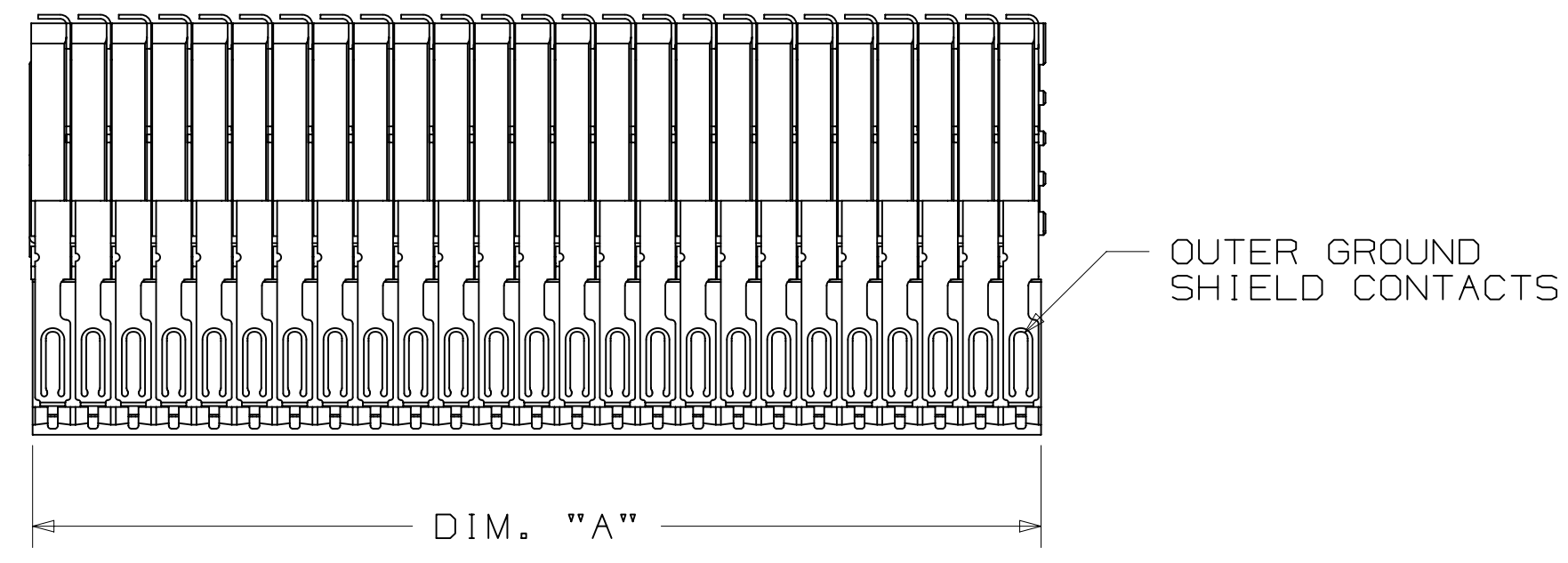


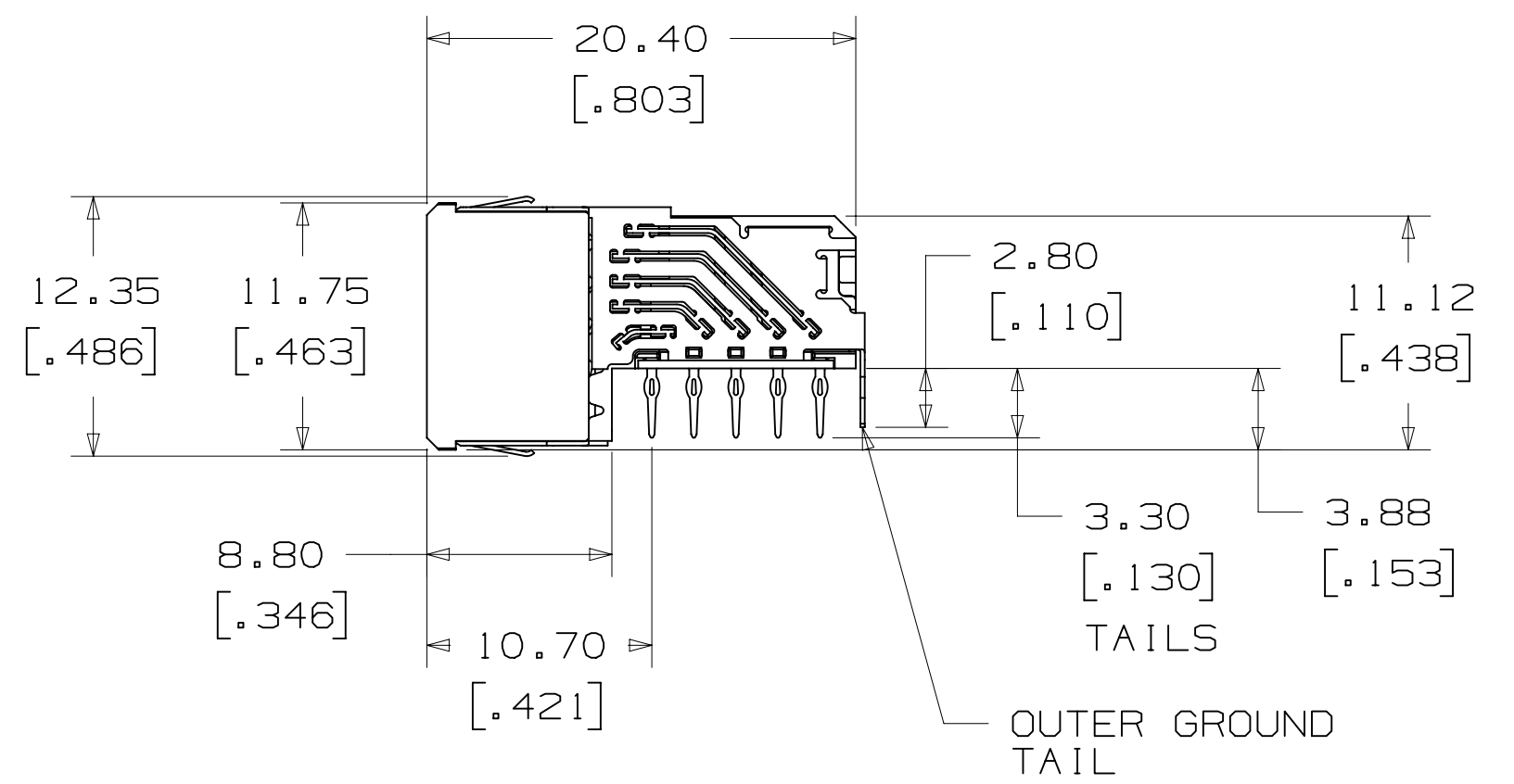
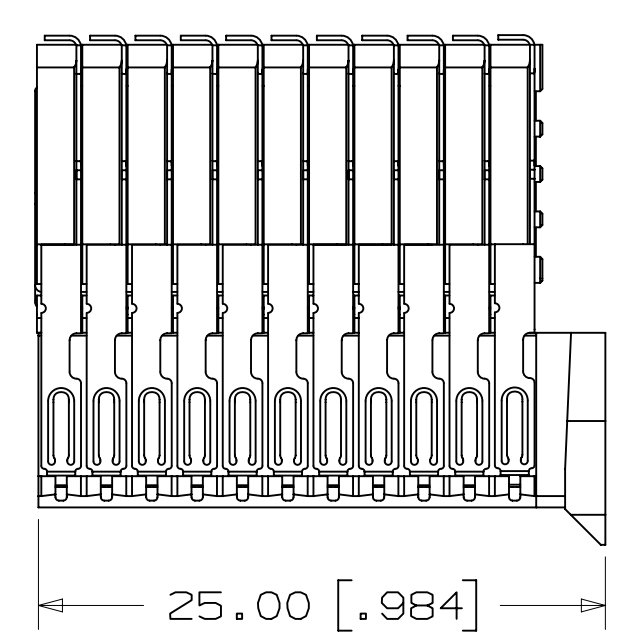
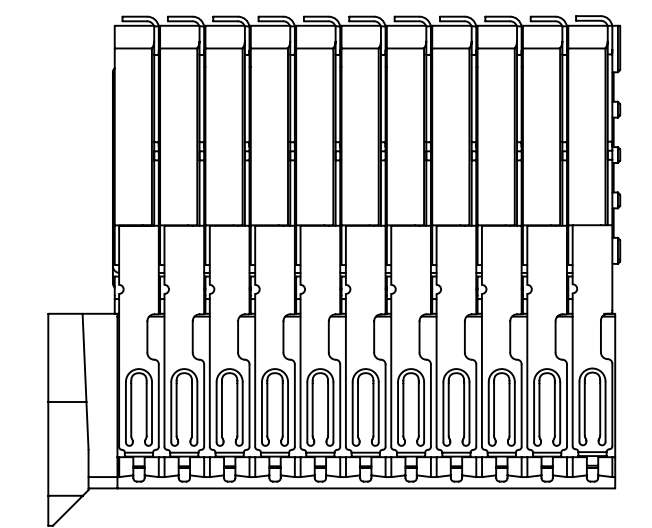
3M™ ULTRA HARD METRIC (UHM) PRESS-FIT SOCKET CONNECTORS, 5-ROW
 FOR 2MM HARD METRIC APPLICATIONS



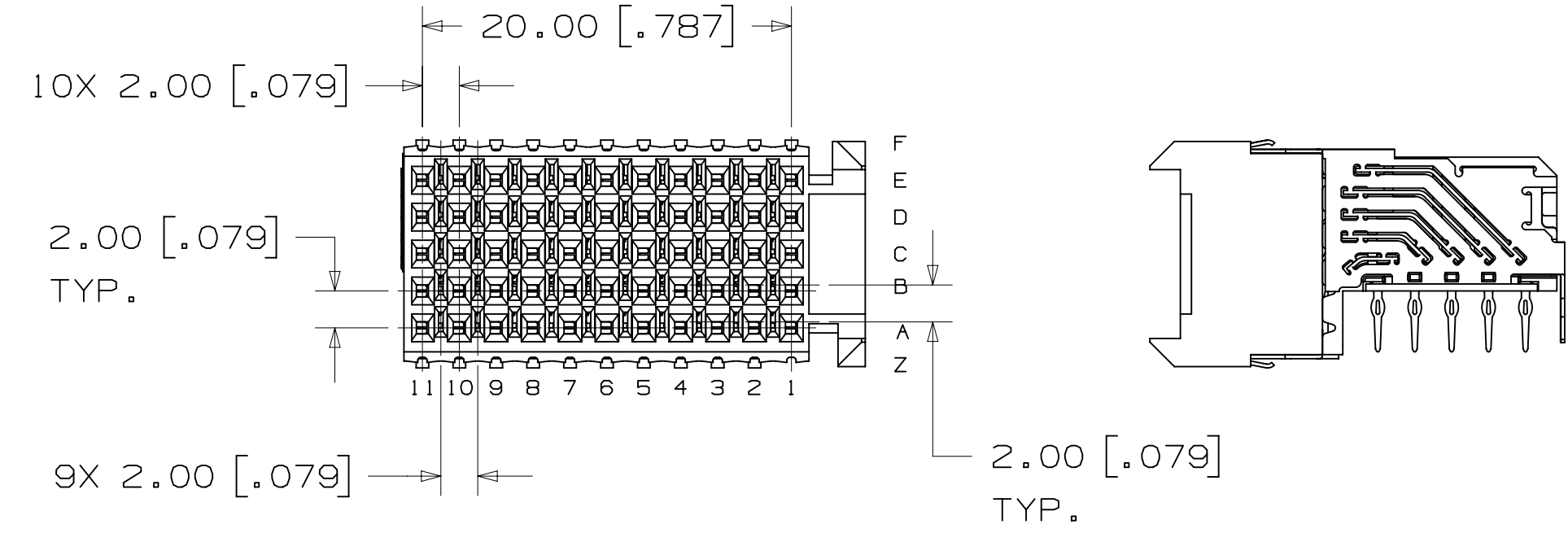
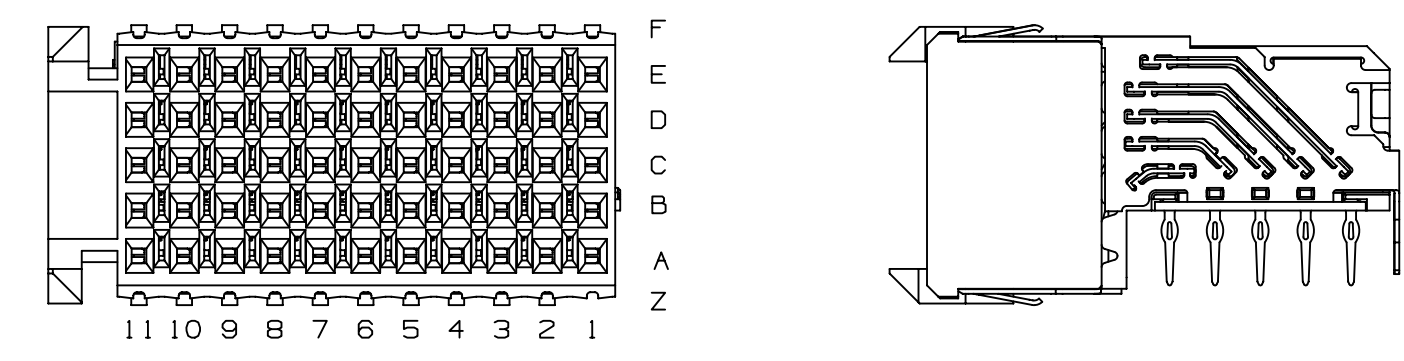
SIGNAL CONTACT QTY.	DIM. "A"	DIM. "B"
055	22.00 [.866]	20.00 [.787]
095	38.00 [1.496]	36.00 [1.417]
110	44.00 [1.732]	42.00 [1.654]
125	50.00 [1.969]	48.00 [1.890]

UHM-S055BX-5AP1-XXXXX
 UHM-S095BX-5AP1-XXXXX
 UHM-S110BX-5AP1-XXXXX
 UHM-S125BX-5AP1-XXXXX

UHM-S110AX-5AP1-XXXXX



TYPICAL SIDE VIEW DIMENSIONS FOR THE SOCKETS ON THIS DRAWING



UHM-S055CLX-5AP1-XXXXX

UHM-S055CRX-5AP1-XXXXX

DESIGN REFERENCE	NEXT ASSEMBLY	REV	ECO	ISSUE DATE AND DESCRIPTION	DRFT	CHKD
		CASTIGLIONE		MAY 23, 2012		
DIVISION CODES		DIVISION CODE		DATE		
Interconnect Solutions		ISD		MAY 23, 2012		
DO NOT SCALE DRAWING	SCALE 3/1	TOLERANCES EXCEPT AS NOTED		DATE		
THIRD ANGLE PROJECTION		INCHES		DATE		
INTERPRET PER ASME Y14.5 - 2009		MILLIMETERS		DATE		
MAX SURFACE ROUGHNESS		0		DATE		
SURFACES		0 ± .3		DATE		
MARKED ONLY		.00 ± .13		DATE		
		.000 ±		DATE		
		ANGLES		DATE		

B	58359	DEC 04, 2014	JNC	TS
A	41080	MAY 24, 2012	JNC	TS
REV	ECO	ISSUE DATE AND DESCRIPTION	DRFT	CHKD
		REMOVE MKRT FEATURES & WITHSTANDING VOLTAGE WAS 750		
		PRODUCTION RELEASE		
		MAY 23, 2012		
		MAY 23, 2012		
		MAY 23, 2012		

© 3M COPYRIGHT 2012
 This document and the information it contains are 3M property and may not be reproduced or further distributed without 3M permission, or used or disclosed other than for 3M authorized purposes. All rights reserved.

3M Center St. Paul, MN 55144

TITLE: UHM PRESS-FIT SOCKET, 5-ROW, CONNECTORS

CAGE NUMBER: D78-5100-2533-7

SIZE: B

DRAWING NO. 78-5100-2533-7

REV. B

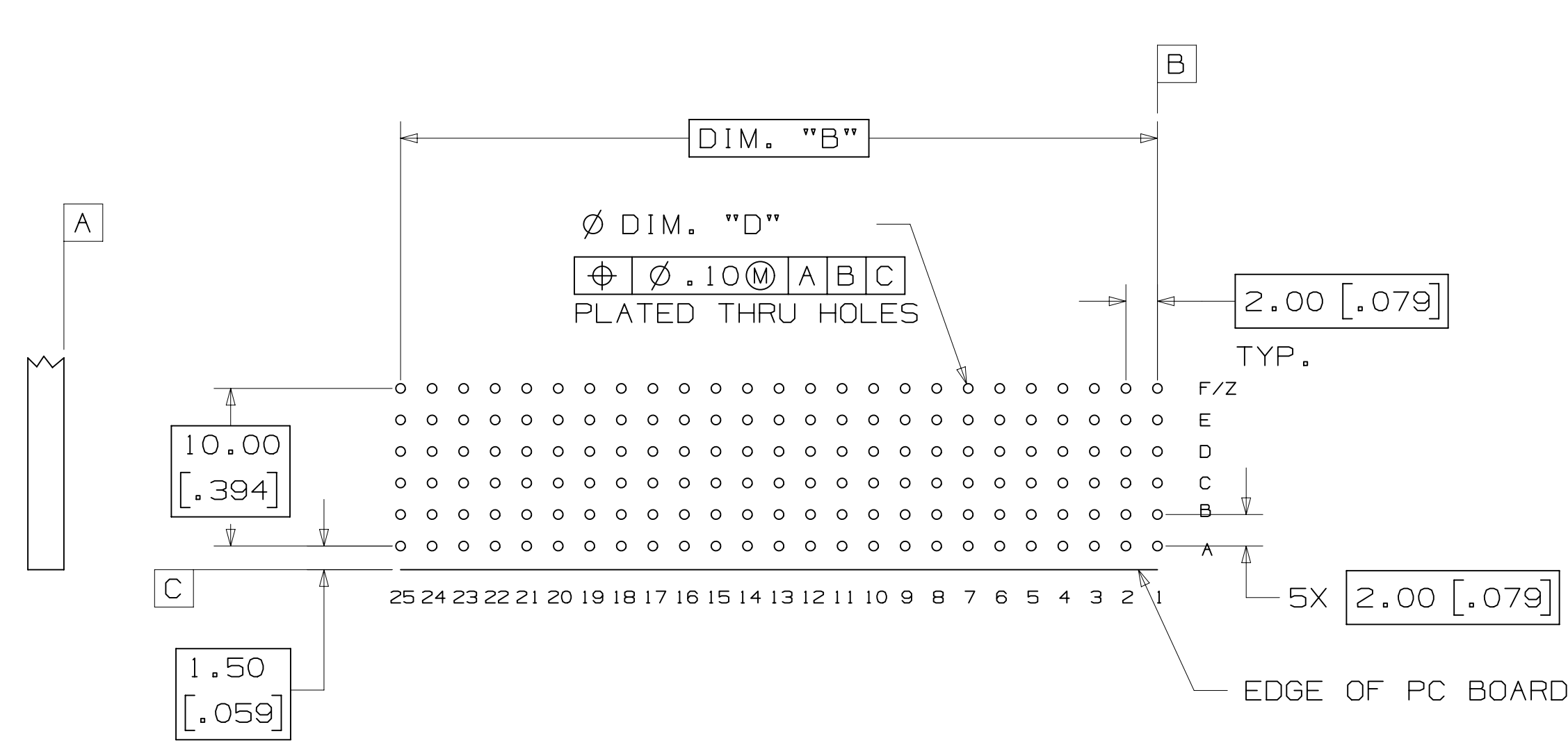
MODEL

DET: [] YES [X] NO

SHT 2 OF 3

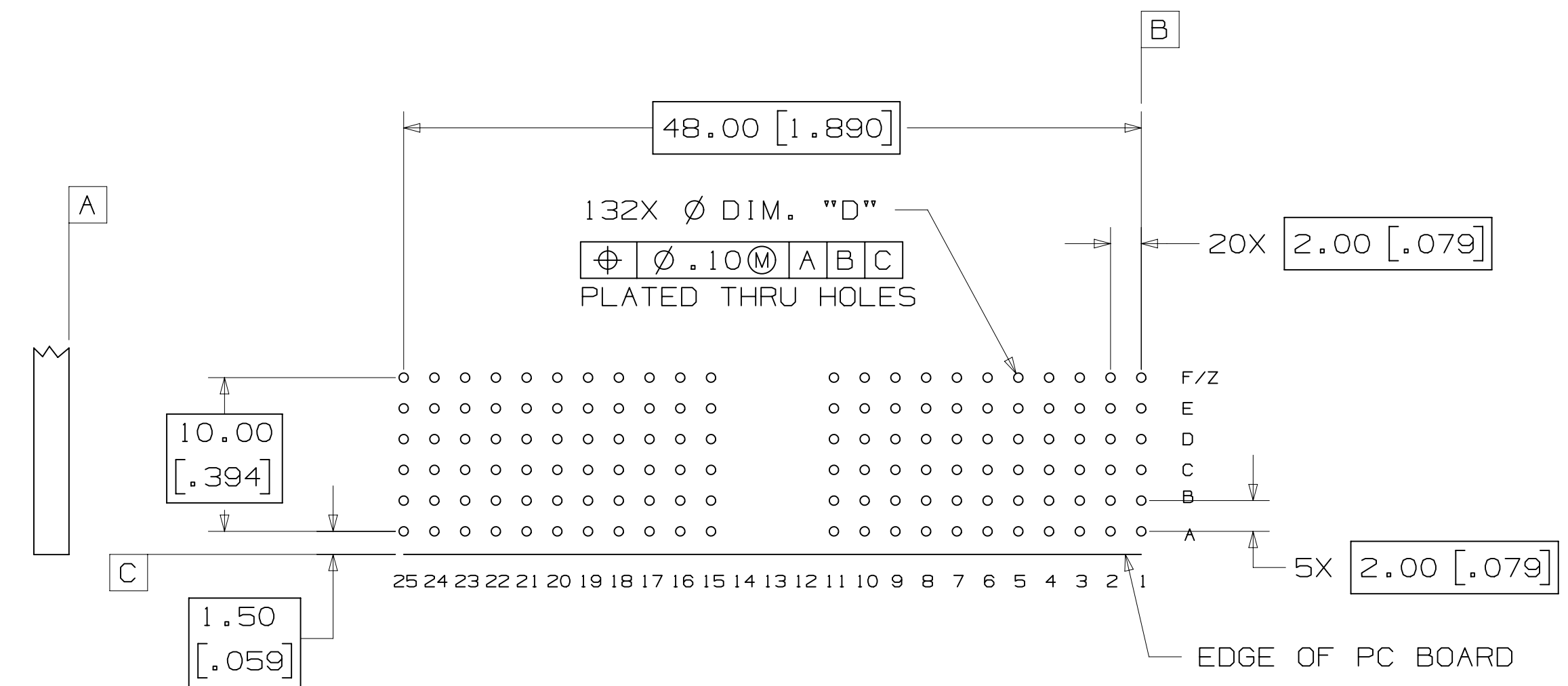
78-5100-2533-7
 DRAWING NUMBER
 B
 REVISION
 A
 12/4/2014 2:00 PM UTC-06:00
 Imaged: B.1

3M™ ULTRA HARD METRIC (UHM) PRESS-FIT SOCKET CONNECTORS, 5-ROW
FOR 2MM HARD METRIC APPLICATIONS



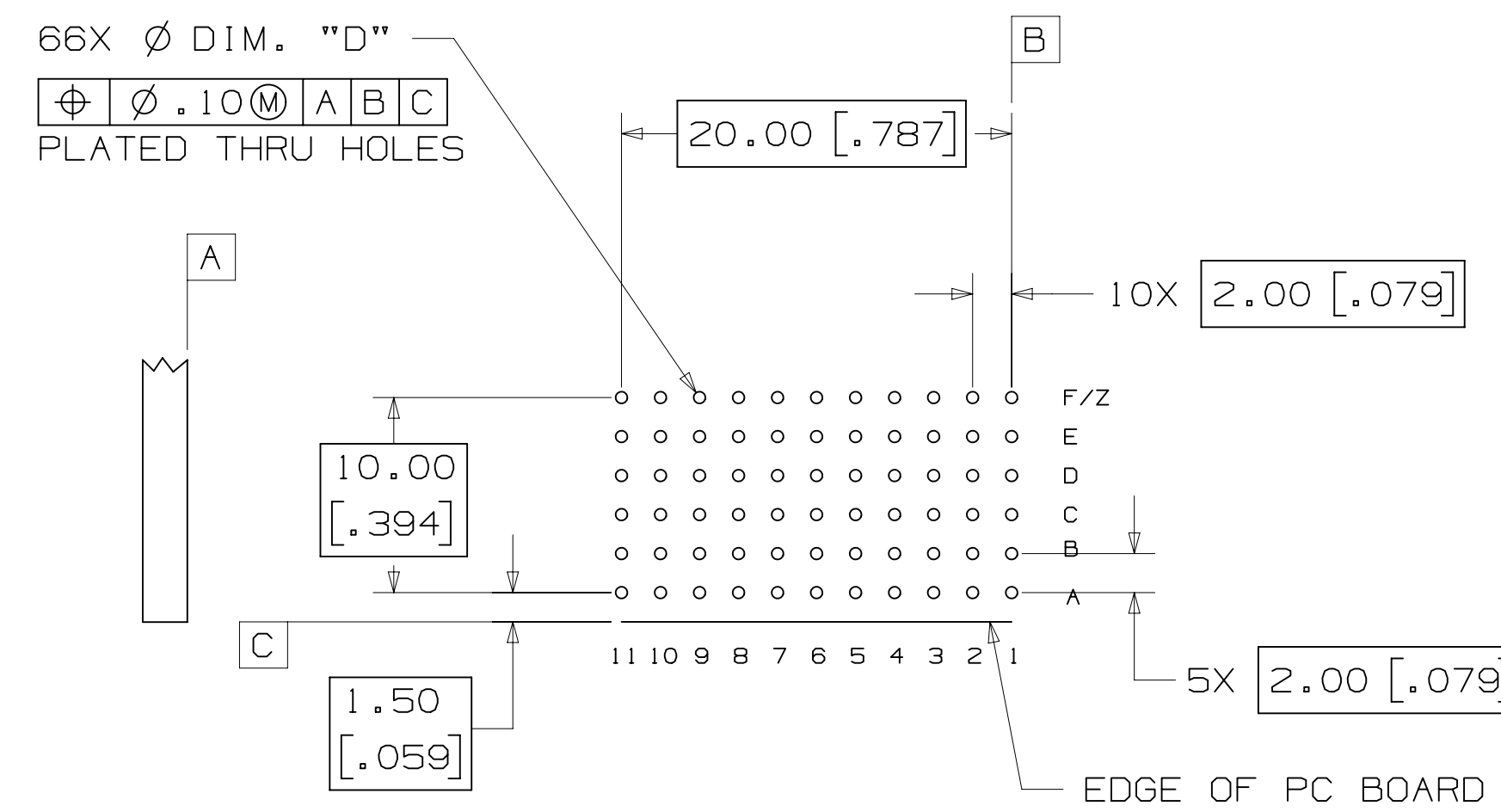
RECOMMENDED HOLE PATTERN FOR UHM-SXXXB0-5AP1
CONTAINS NO VIAS IN EVEN POSITIONS ON ROW F/Z

- UHM-S055BX-5AP1-XXXXX
- UHM-S095BX-5AP1-XXXXX
- UHM-S110BX-5AP1-XXXXX
- UHM-S125BX-5AP1-XXXXX



RECOMMENDED HOLE PATTERN FOR UHM-S110A-5AP1
CONTAINS NO VIAS IN EVEN POSITIONS ON ROW F/Z

UHM-S110AX-5AP1-XXXXX



RECOMMENDED HOLE PATTERN FOR UHM-S055CX-5AP1
CONTAINS NO VIAS IN EVEN POSITIONS ON ROW F/Z

- UHM-S055CLX-5AP1-XXXXX
- UHM-S055CRX-5AP1-XXXXX

RECOMMENDED PCB MOUNTING HOLE PATTERN
(VIEWED FROM COMPONENT SIDE)

HOLE PLATING TABLE				
HOLE DIM. "D"	(FINISHED HOLE)	CU THICKNESS	SnPb THICKNESS	DRILLED HOLE DIA.
.550-.650	[.0217-.0256]	.025-.045	[.0010-.0018]	.008-.018 [.0003-.0007]
.686-.727	[.0270-.0286]			

DESIGN REFERENCE	NEXT ASSEMBLY	REV	ECO	ISSUE DATE AND DESCRIPTION	DRFT	CHKD
DO NOT SCALE DRAWING	SCALE 3/1	TOLERANCES EXCEPT AS NOTED				
THIRD ANGLE PROJECTION		MILLIMETERS		TITLE UHM PRESS-FIT SOCKET, 5-ROW, CONNECTORS		
MAX SURFACE ROUGHNESS		INCHES		CAGE NUMBER D 78-5100-2533-7		
<input checked="" type="checkbox"/> MARKED ONLY		INTERPRET PER ASME Y14.5 - 2009		DATE MAY 23, 2012		
		APPROVED T. SUNIGA		DATE MAY 23, 2012		
		DIVISION Interconnect Solutions		DIVISION CODE ISD		
		INTERPRET PER ASME Y14.5 - 2009		MODEL SHT 3 OF 3		

78-5100-2533-7
 DRAWING NUMBER
 B
 REVISION
 A
 12/4/2014 2:00 PM UTC-06:00
 Imaged: B.1

X-ON Electronics

Largest Supplier of Electrical and Electronic Components

Click to view similar products for [Hard Metric Connectors](#) category:

Click to view products by [3M](#) manufacturer:

Other Similar products are found below :

[6345127-1](#) [646916-9](#) [6469658-1](#) [973108](#) [1-2000713-0](#) [1-2000713-2](#) [1-2000713-3](#) [120646-1](#) [1645343-1](#) [1645456-1](#) [1645594-1](#) [1645595-1](#)
[1645601-1](#) [1934822-1](#) [278071110010833](#) [1645179-1](#) [1645245-1](#) [1645457-1](#) [1645525-1](#) [1645570-1](#) [1645596-1](#) [17041102202](#) [17-8072-125-](#)
[000-863+](#) [1857470-1](#) [1934275-1](#) [1934289-1](#) [1934759-1](#) [2000673-1](#) [2170292-2](#) [2-536642-6](#) [3-106015-1](#) [352188-1](#) [352629-1](#) [3-646529-0](#)
[5120823-1](#) [5120899-1](#) [3-100145-0](#) [3-100147-0](#) [3-100669-1](#) [3-106081-0](#) [HM2DK2368PLF](#) [5646530-1](#) [3-352049-0](#) [3-352069-0](#) [3-352115-0](#)
[3-352638-0](#) [352189-1](#) [3-646357-0](#) [3-646487-0](#) [3-646513-0](#)