

Features

- Supply Voltage: 2.5V to 5.5V
- Low Supply Current: 80µA per channel
- Positive Offset Voltage: +1mV to +4mV
- Offset Voltage Temperature Drift: 2 µV/°C
- High Output Capability: 100mA
- Rail to Rail Input and Output
- Bandwidth: 1 MHz
- Slew Rate: 0.7V/µs
- Excellent EMI Suppress Performance
- Low Noise: 35 nV/√Hz at 1kHz
- -40°C to 125°C Operation Temperature Range

Applications

- Active Filters, ASIC Input or Output Amplifier
- Sensor Interface
- Smoke/Gas/Environment Sensors
- Portable Instruments and Mobile Device

Description

The LMV321B/358B/324B series are CMOS dual, and quad RRIO op-amps with low offset, low power and stable high frequency response. They incorporate 3PEAK's proprietary and patented design techniques to achieve very good AC performance with 1MHz bandwidth, 0.7V/µs slew rate and low distortion while drawing only 80µA of quiescent current per amplifier. The input common-mode voltage range extends 100mV beyond V₋ and V₊, and the outputs swing rail-to-rail. The LMV321B/358B/324B family can be used as plug-in replacements for many commercially available op-amps to reduce power and improve input/output range and performance. The combination of features makes the LMV321B/358B/324B ideal choices for motor control and portable audio amplification, sound ports, and other consumer Audio. The LMV321B/358B/324B Op-amp is very stable, and it is capable of driving heavy capacitive loads such as those found in LCDs. The ability to swing rail-to-rail at the inputs and outputs enables designers to buffer CMOS DACs, ASICs, or other wide output swing devices in single-supply systems.

Pin Configuration

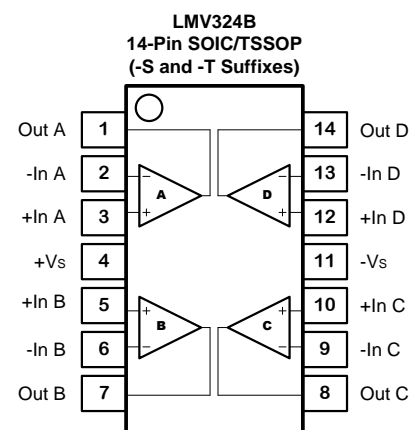
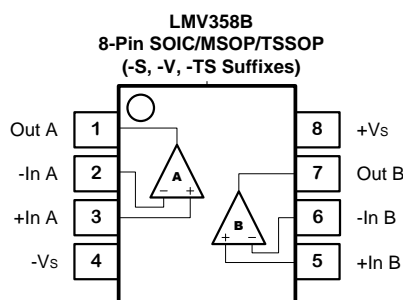
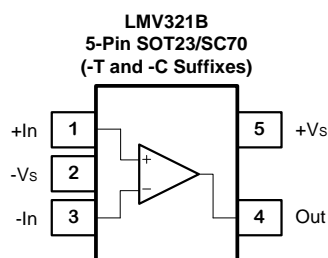


Table of Contents

Features	1
Applications	1
Description	1
Pin Configuration	1
Table of Contents	2
Revision History	3
Order Information	3
Absolute Maximum Ratings ^{Note 1}	4
ESD Rating	4
Thermal Information	4
Electrical Characteristics	5
Typical Performance Characteristics	6
Tape and Reel Information	9
Package Outline Dimensions	10
SC70-5/SC70-6 /SOT-353/SOT-363	10
SOT23-5/6.....	10
SOP-8/ SOIC-8	11
TSSOP-8.....	12
MSOP-8	13
SOP-14 /SOIC-14.....	14
TSSOP-14.....	15

Revision History

Date	Revision	Notes
2018/3/30	Rev.Pre	Pre-Release Version
2018/5/30	Rev.0	First Release to Market Version

Order Information

Order Number	Operating Temperature Range	Package	Marking Information	MSL	Transport Media, Quantity
LMV321B-TR	-40 to 125°C	5-Pin SOT23	21BXX ^{Note 2}	3	Tape and Reel, 3000
LMV321B-CR	-40 to 125°C	5-Pin SC70	21BXX ^{Note 2}	1	Tape and Reel, 3000
LMV358B-SR	-40 to 125°C	8-Pin SOIC	V358B XXXX ^{Note 3}	3	Tape and Reel, 4000
LMV358B-TSR	-40 to 125°C	8-Pin TSSOP	V358B XXXX ^{Note 3}	3	Tape and Reel, 3000
LMV358B-VR	-40 to 125°C	8-Pin MSOP	V358B XXXX ^{Note 3}	3	Tape and Reel, 3000
LMV324B-SR	-40 to 125°C	14-Pin SOIC	V324B XXXX ^{Note 3}	3	Tape and Reel, 2500
LMV324B-TR	-40 to 125°C	14-Pin TSSOP	V324B XXXX ^{Note 3}	3	Tape and Reel, 3000

Note 1: The sample will be ready in 1 month.

Note 2: XX is the date code.

Note 3: XXXX is date code.

Absolute Maximum Ratings ^{Note 1}

Parameters	Rating
Supply Voltage, (+V _S)– (-V _S)	6 V
Input Voltage	(-V _S) – 0.3 to (+V _S) + 0.3
Differential Input Voltage	±6V
Input Current: +IN, –IN ^{Note 2}	±10mA
Output Short-Circuit Duration ^{Note 3}	Infinite
Maximum Junction Temperature	150°C
Operating Temperature Range	–40 to 125°C
Storage Temperature Range	–65 to 150°C
Lead Temperature (Soldering, 10 sec)	260°C

Note 1: Stresses beyond those listed under Absolute Maximum Ratings may cause permanent damage to the device. Exposure to any Absolute Maximum Rating condition for extended periods may affect device reliability and lifetime.

Note 2: The inputs are protected by ESD protection diodes to each power supply. If the input extends more than 300mV beyond the power supply, the input current should be limited to less than 10mA.

Note 3: A heat sink may be required to keep the junction temperature below the absolute maximum. This depends on the power supply voltage and how many amplifiers are shorted. Thermal resistance varies with the amount of PC board metal connected to the package. The specified values are for short traces connected to the leads.

ESD Rating

Symbol	Parameter	Condition	Minimum Level	Unit
HBM	Human Body Model ESD	ANSI/ESDA/JEDEC JS-001	8	kV
CDM	Charged Device Model ESD	ANSI/ESDA/JEDEC JS-002	2	kV

Thermal Information

Package Type	θ _{JA}	θ _{JC}	Unit
5-Pin SC70	400		°C/W
5-Pin SOT23	250	81	°C/W
8-Pin SOIC	158	43	°C/W
8-Pin TSSOP	191	44	°C/W
8-Pin MSOP	210	45	°C/W
14-Pin SOIC	120	36	°C/W
14-Pin TSSOP	180	35	°C/W

Electrical Characteristics

All test condition is $V_S = 5V$, $T_A = 25^\circ C$, $R_L = 2k\Omega$, $C_L = 100pF$, unless otherwise noted.

Symbol	Parameter	Conditions	Min	Typ	Max	Unit
Power Supply						
V_S	Supply Voltage Range		2.5		5.5	V
I_Q	Quiescent Current per Amplifier			80	130	μA
PSRR	Power Supply Rejection Ratio		70	75		dB
Input Characteristics						
V_{OS}	Input Offset Voltage	$V_{CM} = 0V$ to $3V$	+1	+2	+4	mV
$V_{OS\ TC}$	Input Offset Voltage Drift	$T_A = -40^\circ C$ to $125^\circ C$		2		$\mu V/^\circ C$
I_B	Input Bias Current	$T_A = 25^\circ C$		1		μA
		$T_A = 85^\circ C$		25		μA
I_{OS}	Input Offset Current			1		μA
C_{IN}	Input Capacitance	Differential Mode		8		pF
		Common Mode		7		pF
A_V	Open-loop Voltage Gain	$R_{LOAD} = 10k\Omega$	85	110		dB
V_{CMR}	Common-mode Input Voltage Range		(V-) - 0.1		(V+) + 0.1	V
CMRR	Common Mode Rejection Ratio	$V_{CM} = 0V$ to $3V$	65	85		dB
Xtalk	Channel Separation	$f = 1kHz$, $R_L = 2k\Omega$		110		dB
Output Characteristics						
V_{OH}, V_{OL}	Maximum Output Voltage Swing	$R_{LOAD} = 10k\Omega$		3	15	mV
I_{SC}	Output Short-Circuit Current		90	100		mA
AC Specifications						
GBW	Gain-Bandwidth Product			1		MHz
SR	Slew Rate	$A_V = 1$, $V_{OUT} = 1.5V$ to $3.5V$, $C_{LOAD} = 60pF$, $R_{LOAD} = 1k\Omega$		0.7		V/ μs
t_s	Settling Time, 0.1%	$A_V = 1$, 2V Step, $C_{LOAD} = 60pF$, $R_{LOAD} = 1k\Omega$		3.5		μs
	Settling Time, 0.01%			4.8		μs
PM	Phase Margin	$R_{LOAD} = 1k\Omega$, $C_{LOAD} = 60pF$		60		$^\circ$
GM	Gain Margin	$R_{LOAD} = 1k\Omega$, $C_{LOAD} = 60pF$		15		dB
Noise Performance						
E_N	Input Voltage Noise	$f = 0.1Hz$ to $10Hz$		3		μV_{RMS}
e_N	Input Voltage Noise Density	$f = 1kHz$		35		nV/ \sqrt{Hz}
i_N	Input Current Noise	$f = 1kHz$		2		fA/ \sqrt{Hz}
THD+N	Total Harmonic Distortion and Noise	$f = 1kHz$, $A_V = 1$, $R_L = 2k\Omega$, $V_{OUT} = 1Vp-p$		0.003		%

Typical Performance Characteristics

$V_S = 5V$, $V_{CM} = 2.5V$, $R_L = \text{Open}$, unless otherwise specified.

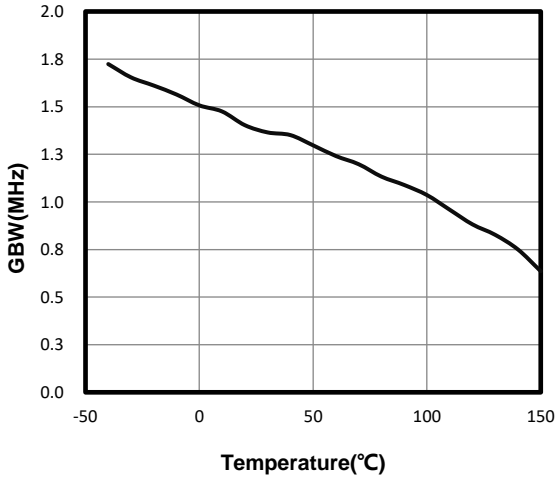


Figure 1. Unity Gain Bandwidth vs. Temperature

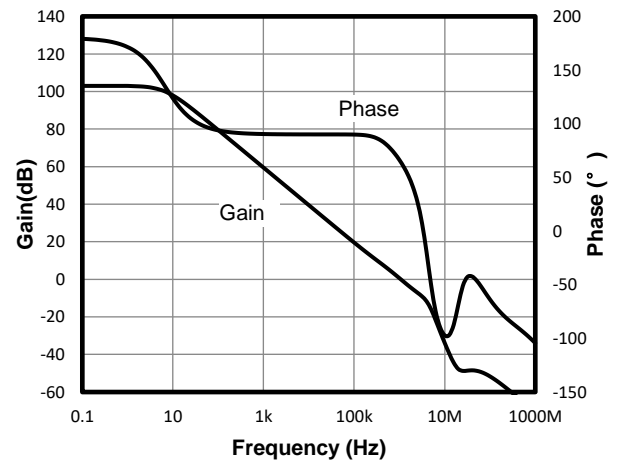


Figure 2. Open-Loop Gain and Phase

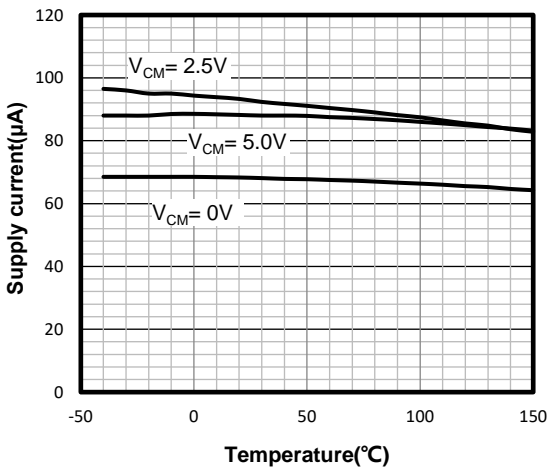


Figure 3. Supply Current vs. Temperature

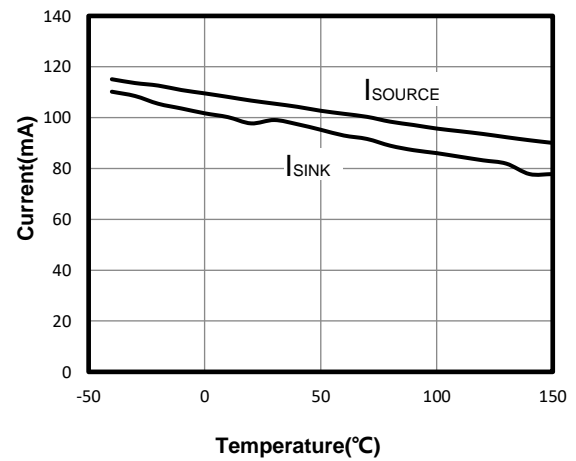


Figure 4. Short Circuit Current vs. Temperature

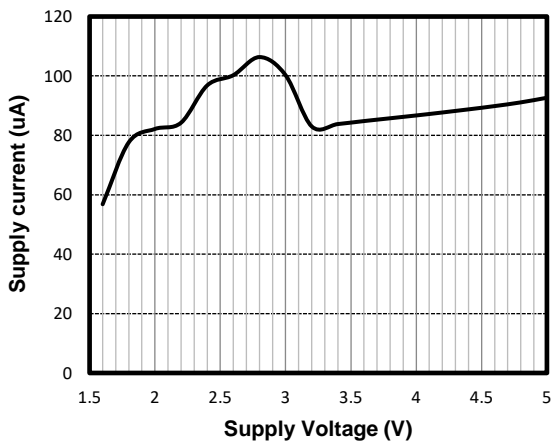


Figure 5. Quiescent Current vs. Supply Voltage

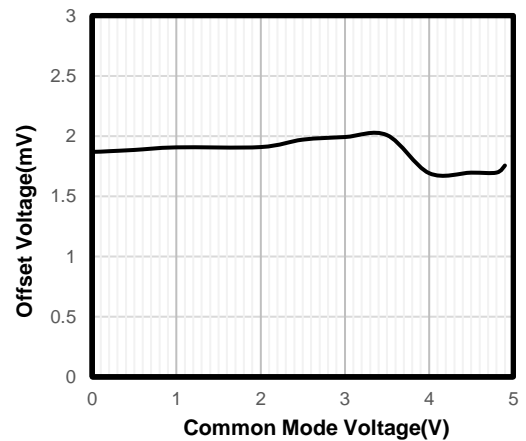


Figure 6. Offset Voltage vs. Common-Mode Voltage

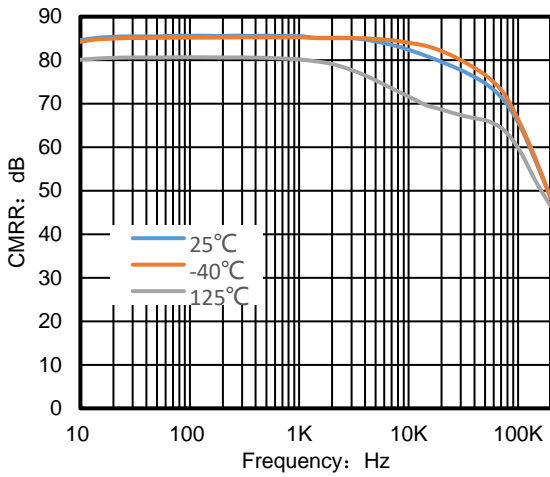


Figure 7. CMRR vs. Frequency

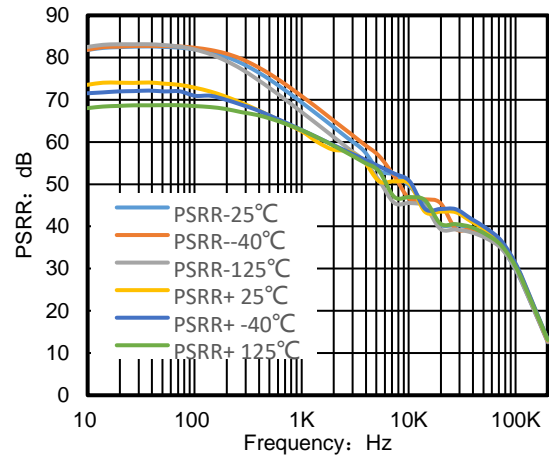


Figure 8. PSRR vs. Frequency

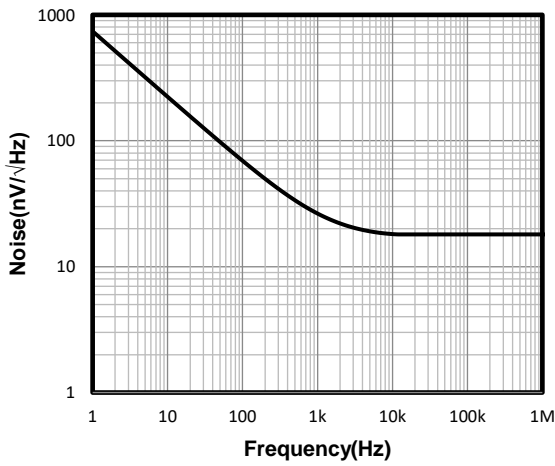


Figure 9. Input Voltage Noise Spectral Density

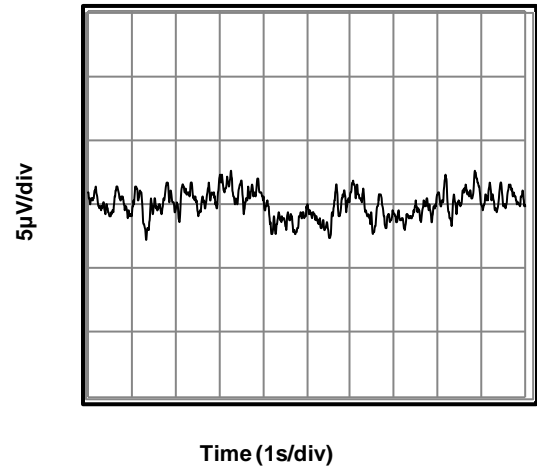


Figure 10. 0.1 Hz to 10 Hz Input Voltage Noise

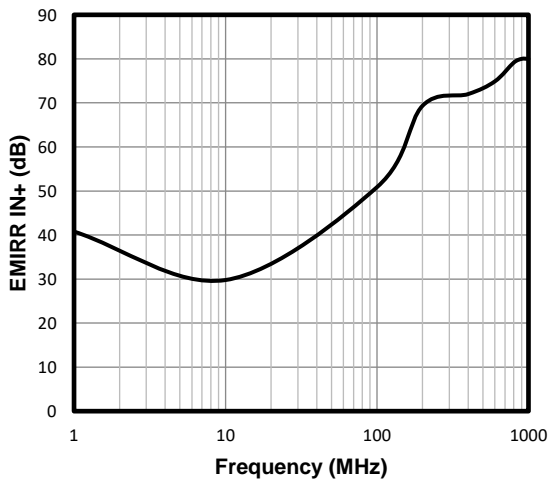


Figure 11. EMIRR IN+ vs. Frequency

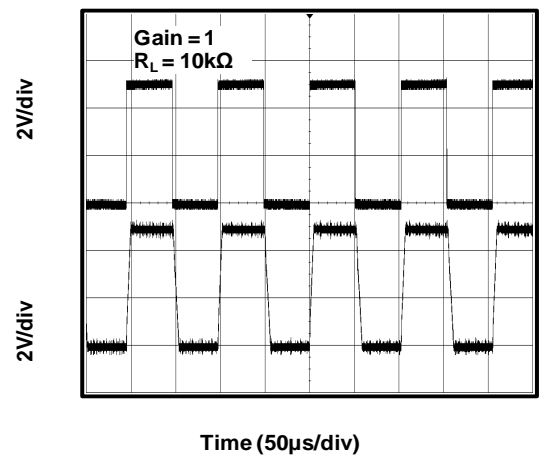


Figure 12. Large-Scale Step Response

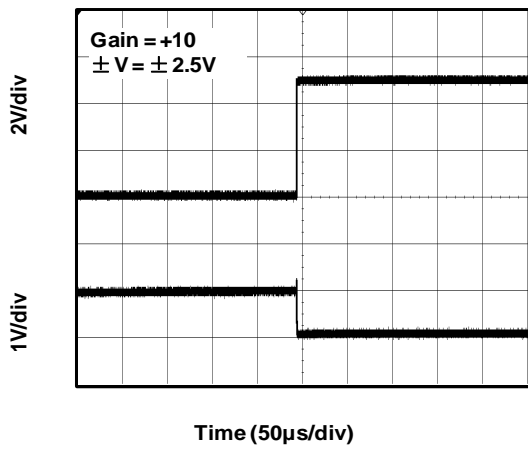


Figure 13. Negative Over-Voltage Recovery

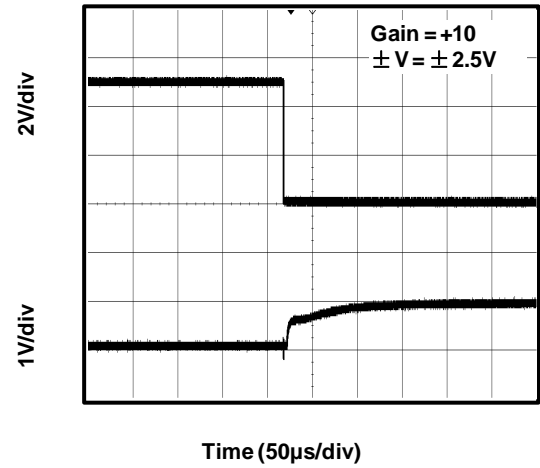


Figure 14. Positive Over-Voltage Recovery

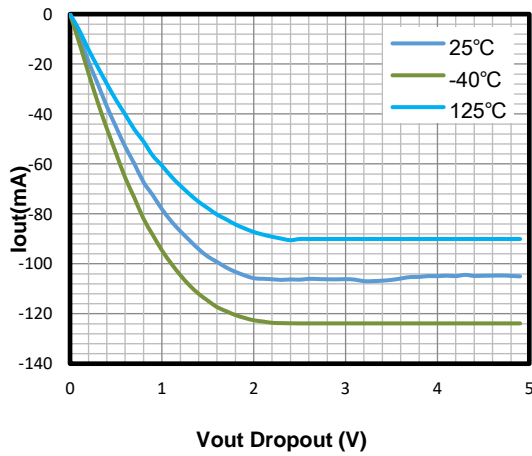


Figure 15. Negative Output Swing vs. Load Current

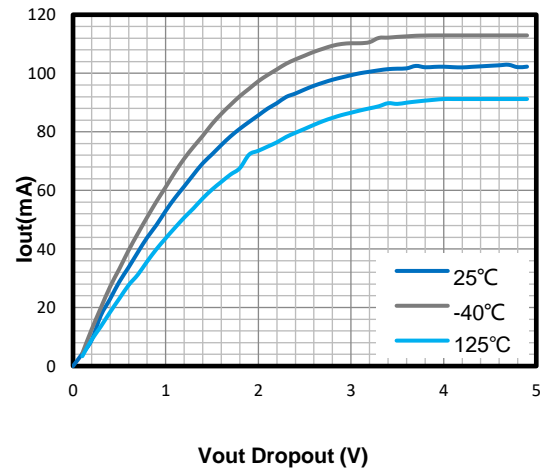
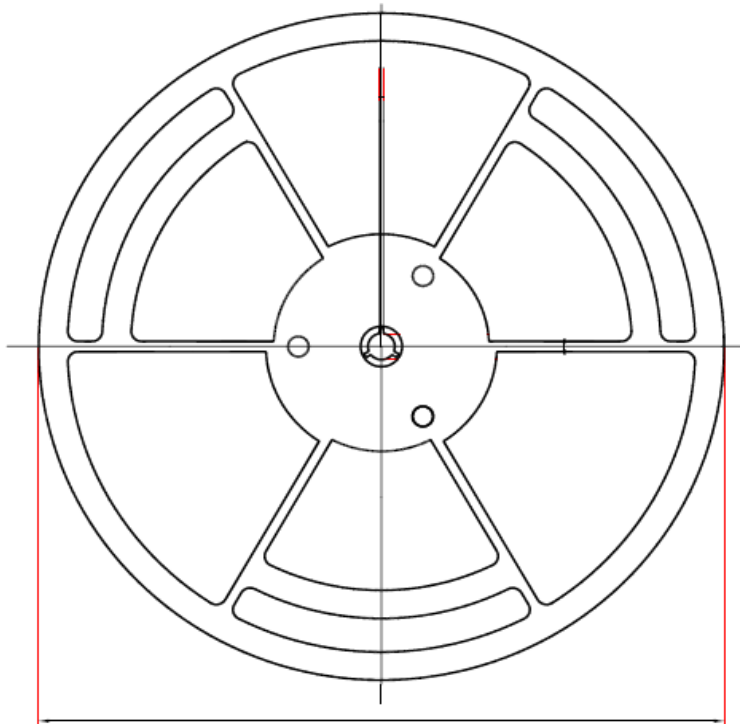
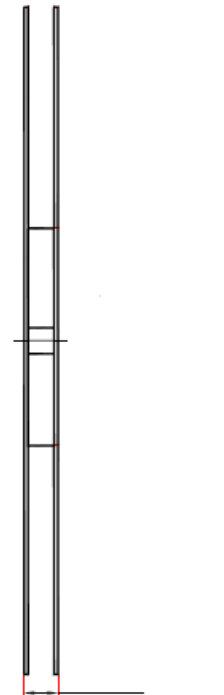


Figure 16. Positive Output Swing vs. Load Current

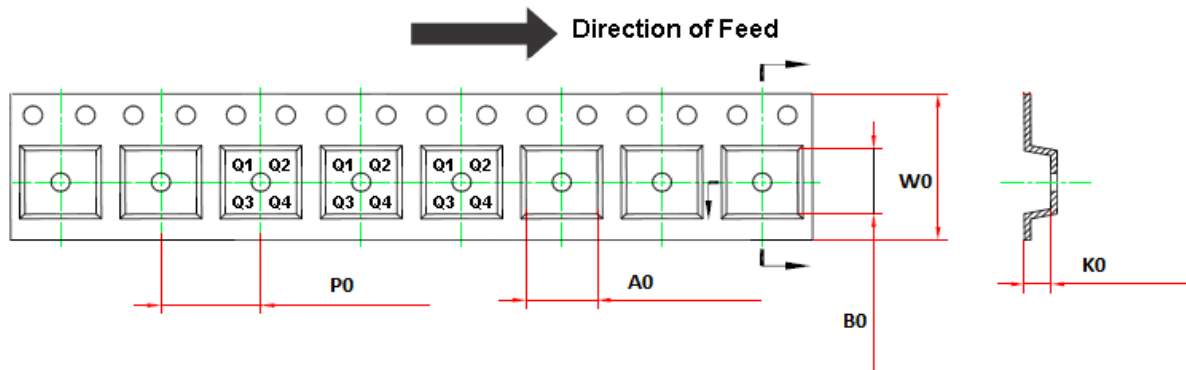
Tape and Reel Information



D1: Reel Diameter



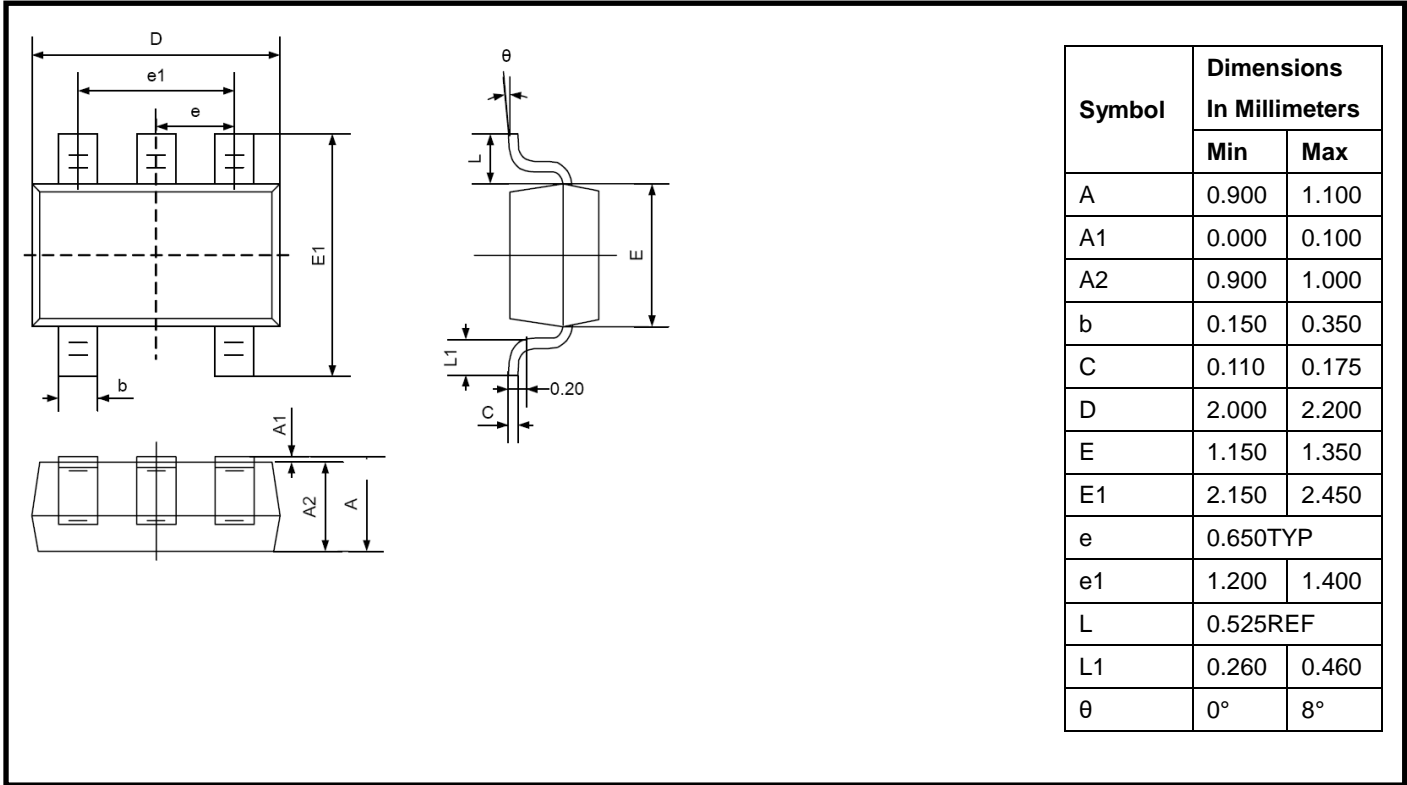
W1: Reel Width



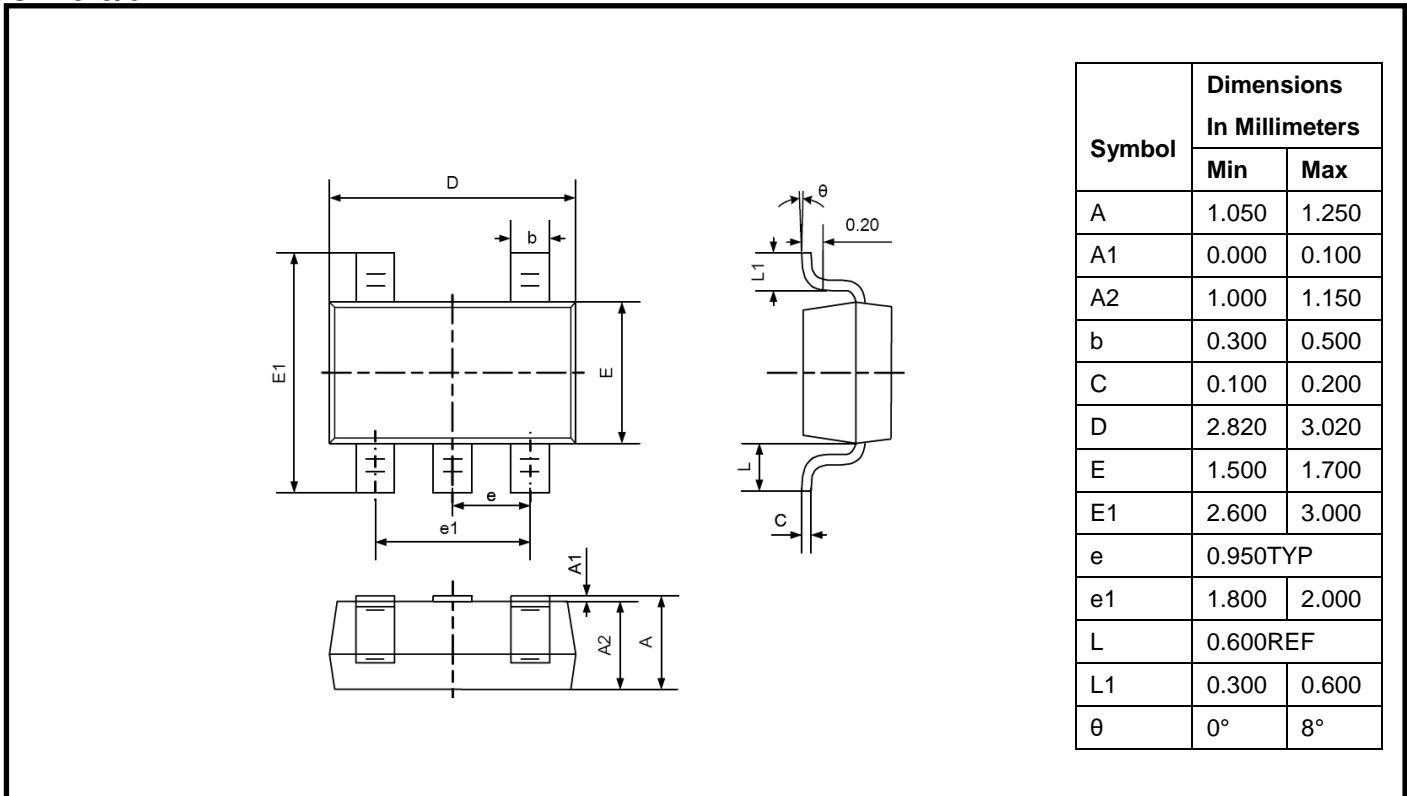
Order Number	Package	D1	W1	A0	B0	K0	P0	W0	Pin1 Quadrant
LMV321B-CR	5-Pin SC70	178.0	9.5	2.4	2.5	1.2	4.0	8.0	Q3
LMV321B-TR	5-Pin SOT23	180.0	13.1	3.2	3.2	1.4	4.0	8.0	Q3
LMV358B-SR	8-Pin SOIC	330.0	17.6	6.4	5.4	2.1	8.0	12.0	Q1
LMV358B-VR	8-Pin MSOP	330.0	17.6	5.2	3.3	1.5	8.0	12.0	Q1
LMV358B-TSR	8-Pin TSSOP	330.0	17.6	6.8	3.3	1.2	8.0	12.0	Q1
LMV324B-SR	14-Pin SOIC	330.0	21.6	6.5	9.0	2.1	8.0	16.0	Q1
LMV324B-TR	14-Pin TSSOP	330.0	17.6	6.8	5.4	1.2	8.0	12.0	Q1

Package Outline Dimensions

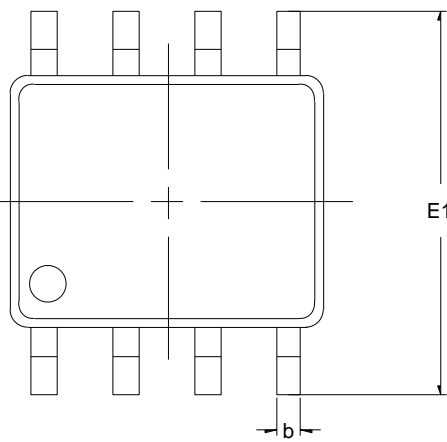
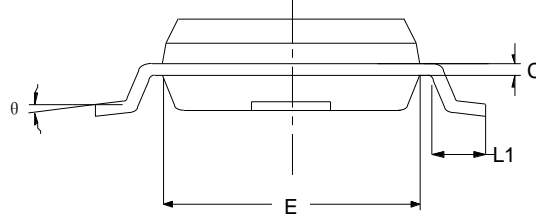
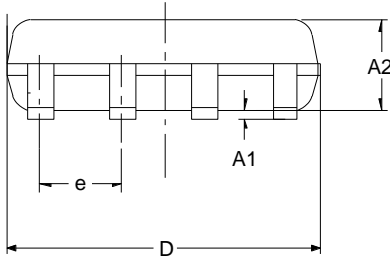
SC70-5/SC70-6 /SOT-353/SOT-363



SOT23-5/6

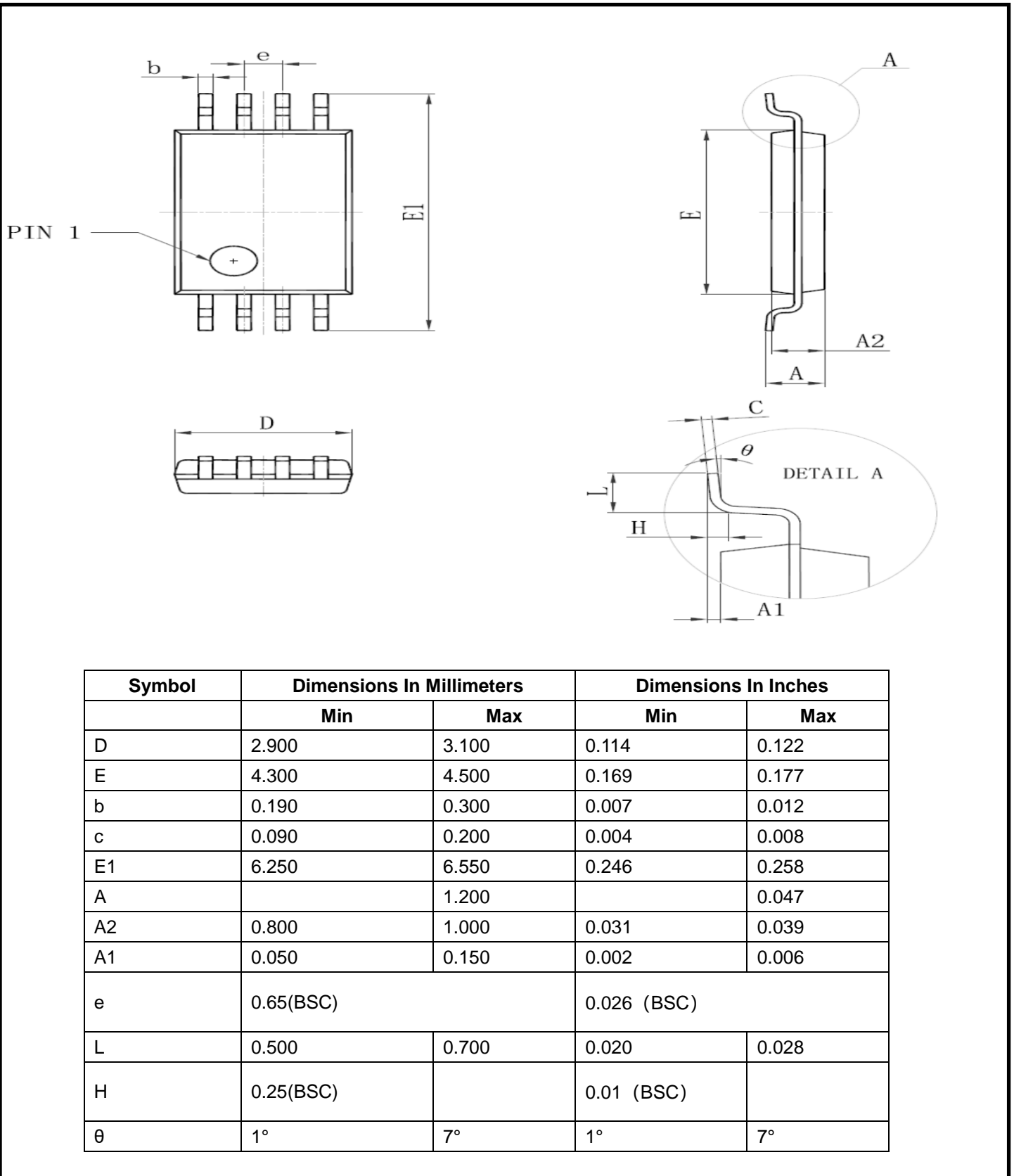


SOP-8/ SOIC-8

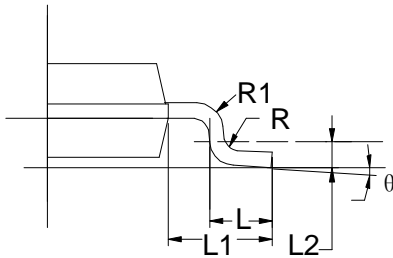
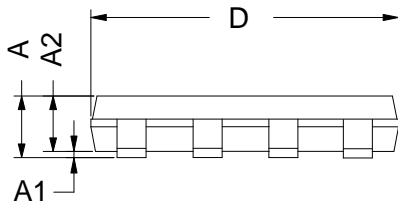
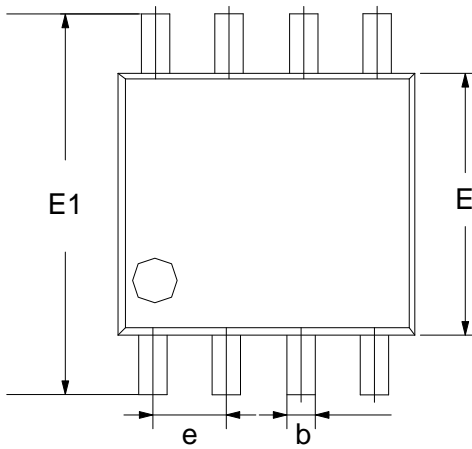


Symbol	Dimensions	
	In Millimeters	
	Min	Max
A1	0.100	0.250
A2	1.300	1.550
b	0.330	0.510
C	0.170	0.250
D	4.780	5.000
E	3.800	4.000
E1	5.800	6.300
e	1.270TYP	
L1	0.400	0.900
θ	0°	8°

TSSOP-8

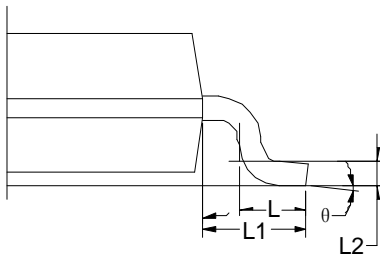
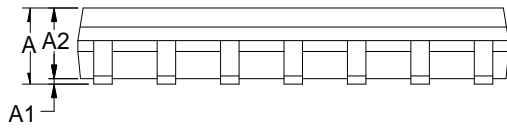
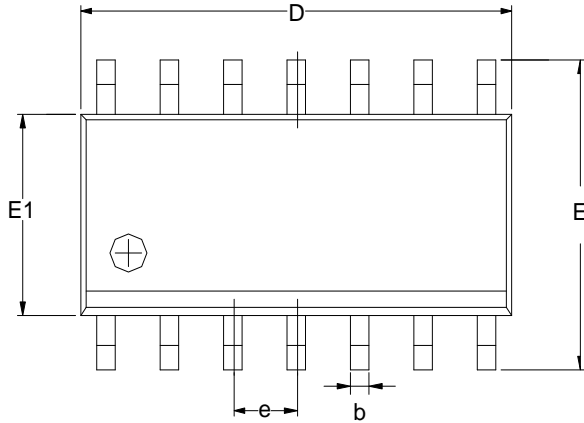


MSOP-8



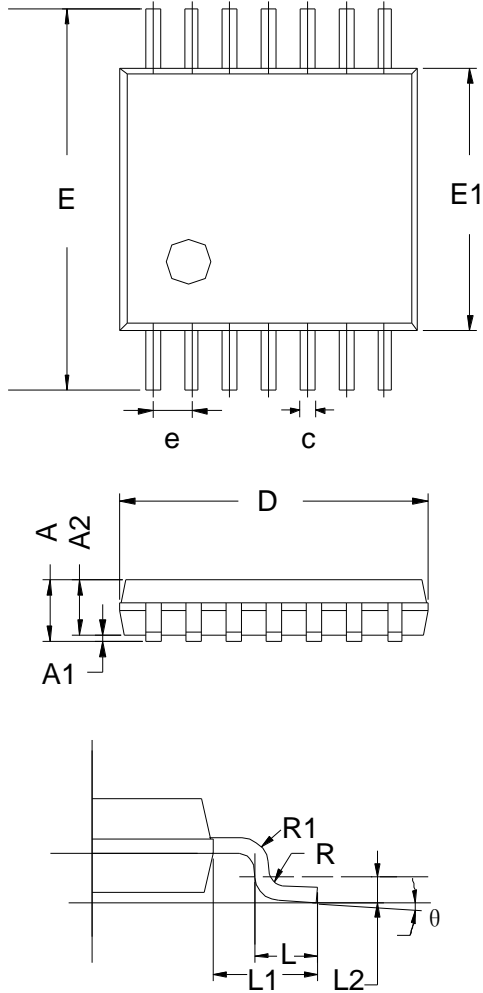
Symbol	Dimensions In Millimeters	
	Min	Max
A	0.800	1.200
A1	0.000	0.200
A2	0.750	0.950
b	0.30 TYP	
C	0.15 TYP	
D	2.900	3.100
e	0.65 TYP	
E	2.900	3.100
E1	4.700	5.100
L1	0.400	0.800
θ	0°	6°

SOP-14 /SOIC-14



Symbol	Dimensions In Millimeters		
	MIN	TYP	MAX
A	1.35	1.60	1.75
A1	0.10	0.15	0.25
A2	1.25	1.45	1.65
b	0.31		0.51
D	8.45	8.63	8.85
E	5.80	6.00	6.20
E1	3.80	3.90	4.00
e	1.27 BSC		
L	0.40	0.60	0.80
L1	1.05 REF		
L2	0.25 BSC		
θ	0°		8°

TSSOP-14



Symbol	Dimensions In Millimeters		
	MIN	TYP	MAX
A	-	-	1.20
A1	0.05	-	0.15
A2	0.80	-	1.05
c	0.19	-	0.30
D	4.86	5.00	5.10
E	6.20	6.40	6.60
E1	4.30	4.40	4.50
e	0.65 BSC		
L	0.45	0.60	0.75
L1	1.00 REF		
L2	0.25 BSC		
R	0.09	-	-
θ	0°	-	8°

 ***3PEAK and the 3PEAK logo are registered trademarks of 3PEAK INCORPORATED. All other trademarks are the property of their respective owners.***

X-ON Electronics

Largest Supplier of Electrical and Electronic Components

Click to view similar products for [Operational Amplifiers - Op Amps](#) category:

Click to view products by [3PEAK](#) manufacturer:

Other Similar products are found below :

[430227FB](#) [UPC451G2-A](#) [UPC824G2-A](#) [LT1678IS8](#) [042225DB](#) [058184EB](#) [UPC822G2-A](#) [UPC258G2-A](#) [NCS5651MNTXG](#)
[NCV33202DMR2G](#) [NJM324E](#) [NTE925](#) [5962-9080901MCA*](#) [AZV358MTR-G1](#) [AP4310AUMTR-AG1](#) [HA1630D02MMEL-E](#)
[HA1630S01LPEL-E](#) [AZV358MMTR-G1](#) [SCY33178DR2G](#) [NJU77806F3-TE1](#) [NCV5652MUTWG](#) [NCV20034DR2G](#) [NTE778S](#) [NTE871](#)
[NTE924](#) [NTE937](#) [MCP6V16UT-E/OT](#) [MCP6V17T-E/MS](#) [MCP6V19T-E/ST](#) [SCY6358ADR2G](#) [NCS20282FCTTAG](#) [LM4565FVT-GE2](#)
[EL5420CRZ-T7A](#) [TSV772IQ2T](#) [TSV792IYST](#) [NJM2100M-TE1](#) [COS2262MR](#) [COS2252MR](#) [COS5532SRB](#) [COS2272MR](#) [LMV358MR](#)
[COS6002MR](#) [LMV358SR](#) [LM358SR](#) [RC4580MM/TR](#) [HGV8544M/TR](#) [HGV8541M/TR](#) [HGV8634M/TR](#) [HGV8542M/TR](#)
[HGV8544MT/TR](#)