

Features

- Low Offset Voltage: 250 μ V Maximum
- Low Current Consumption: 75 μ A
- High EMIRR: 108dB at 1000MHz
- Low Noise: 50 nV/ $\sqrt{\text{Hz}}$ (f= 1kHz)
- Wide Supply Range: 2.7V to 36V
- High Bandwidth: 1.3 MHz
- Low Input Bias Current: 3 pA Typical
- Below-Ground (V-) Input Capability to -0.3V
- Rail-to-Rail Output Voltage Range
- High Output Current: 30 mA
- Unit Gain Stable
- -40°C to 125°C Operation Range
- Robust 3kV – HBM and 2kV – CDM ESD Rating

Applications

- Digital Servo Control Loops
- Machine and Motion Control Devices
- Photodiode Pre-amp
- Industrial Process Control
- Temperature Measurements
- Strain Gage Amplifier
- Medical Instrumentation

Description

The TP1251/TP1252/TP1254 are low power precision EMI Hardened 36V CMOS op-amps featuring EMIRR of 108dB at 1000MHz. These devices provide very low quiescent current which are very suitable for low power or battery power supply system. The rail-to-rail output swing and input range that includes V- makes the TP125x ideal choices for interfacing to modern, single-supply and precision data converters.

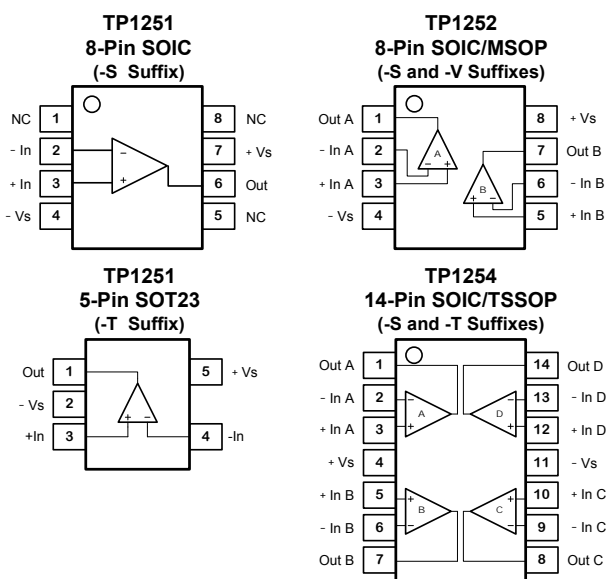
The TP125x op-amps offer lower noise, offset voltage, offset drift over temperature and bias current. In addition, the devices have better common-mode rejection and slew rates.

The TP125x family, exhibiting high input impedance and low noise, is excellent for small signal conditioning for high impedance sources, such as piezoelectric transducers. Because of the micro power dissipation levels, the devices work well in hand held monitoring and remote sensing applications.

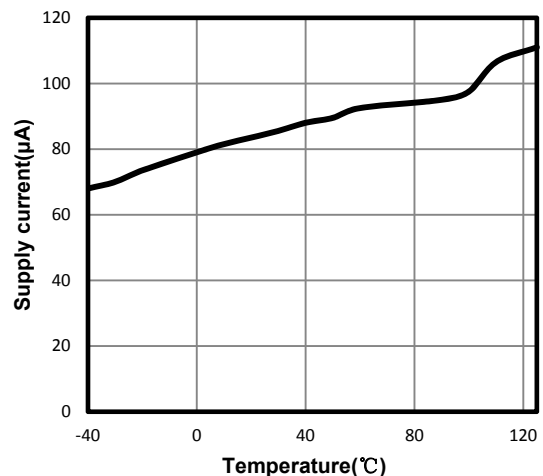
The TP1251 is single channel version available in 8-pin SOIC and 5-pin SOT23 packages. The TP1252 is dual channel version available in 8-pin SOIC and MSOP packages. The TP1254 is quad channel version available in 14-pin SOIC and TSSOP packages.

3PEAK and the 3PEAK logo are registered trademarks of 3PEAK INCORPORATED. All other trademarks are the property of their respective owners.

Pin Configuration (Top View)



Quiescent Current vs. Temperature



TP1251 / TP1252 / TP1254

36V Single Supply, Low Power, Precision Op-amps

Order Information

Model Name	Order Number	Package	Transport Media, Quantity	Marking Information
TP1251	TP1251-SR	8-Pin SOIC	Tape and Reel, 4,000	TP1251
	TP1251-TR	5-Pin SOT23	Tape and Reel, 3,000	125
TP1252	TP1252-SR	8-Pin SOIC	Tape and Reel, 4,000	TP1252
	TP1252-VR	8-Pin MSOP	Tape and Reel, 3,000	TP1252
TP1254	TP1254-SR	14-Pin SOIC	Tape and Reel, 2,500	TP1254
	TP1254-TR	14-Pin TSSOP	Tape and Reel, 3,000	TP1254

Absolute Maximum Ratings Note 1

Supply Voltage: $V^+ - V^-$ Note 2 40.0V
 Input Voltage..... $V^- - 0.3$ to $V^+ + 0.3$
 Input Current: +IN, -IN Note 3 ± 20 mA
 Output Current: OUT..... ± 30 mA
 Output Short-Circuit Duration Note 4 Indefinite

Current at Supply Pins..... ± 60 mA
 Operating Temperature Range..... -40°C to 125°C
 Maximum Junction Temperature..... 150°C
 Storage Temperature Range..... -65°C to 150°C
 Lead Temperature (Soldering, 10 sec) 260°C

Note 1: Stresses beyond those listed under Absolute Maximum Ratings may cause permanent damage to the device. Exposure to any Absolute Maximum Rating condition for extended periods may affect device reliability and lifetime.

Note 2: The op amp supplies must be established simultaneously, with, or before, the application of any input signals.

Note 3: The inputs are protected by ESD protection diodes to each power supply. If the input extends more than 500mV beyond the power supply, the input current should be limited to less than 10mA.

Note 4: A heat sink may be required to keep the junction temperature below the absolute maximum. This depends on the power supply voltage and how many amplifiers are shorted. Thermal resistance varies with the amount of PC board metal connected to the package. The specified values are for short traces connected to the leads.

ESD, Electrostatic Discharge Protection

Symbol	Parameter	Condition	Minimum Level	Unit
HBM	Human Body Model ESD	MIL-STD-883H Method 3015.8	3	kV
CDM	Charged Device Model ESD	JEDEC-EIA/JESD22-C101E	2	kV

Thermal Resistance

Package Type	θ_{JA}	θ_{JC}	Unit
5-Pin SOT23	250	81	$^\circ\text{C/W}$
8-Pin SOIC	158	43	$^\circ\text{C/W}$
8-Pin MSOP	210	45	$^\circ\text{C/W}$
14-Pin SOIC	120	36	$^\circ\text{C/W}$
14-Pin TSSOP	180	35	$^\circ\text{C/W}$

36V Single Supply, Lower Power, Precision Op-amps

Electrical Characteristics

The specifications are at $T_A = 27^\circ\text{C}$. $V_{\text{SUPPLY}} = \pm 15\text{V}$, $V_{\text{CM}} = V_{\text{OUT}} = 0\text{V}$, $R_L = 10\text{k}\Omega$, $C_L = 100\text{pF}$. Unless otherwise noted.

SYMBOL	PARAMETER	CONDITIONS	MIN	TYP	MAX	UNITS
V_{OS}	Input Offset Voltage	$V_{\text{CM}} = V_{\text{DD}}/2$	-250	± 20	+250	μV
$V_{\text{OS TC}}$	Input Offset Voltage Drift	-40°C to 125°C		0.9		$\mu\text{V}/^\circ\text{C}$
I_{B}	Input Bias Current	$T_A = 27^\circ\text{C}$		3		pA
		$T_A = 85^\circ\text{C}$		250		pA
		$T_A = 125^\circ\text{C}$		7.7		nA
I_{OS}	Input Offset Current			0.001		pA
e_{n}	Input Voltage Noise Density	$f = 1\text{kHz}$		50		$\text{nV}/\sqrt{\text{Hz}}$
C_{IN}	Input Capacitance	Differential		4		pF
		Common Mode		2.5		
CMRR	Common Mode Rejection Ratio	$V_{\text{CM}} = -14.6\text{V}$ to 13V	103	130		dB
V_{CM}	Common-mode Input Voltage Range		$V^- - 0.3$		$V^+ - 2.0$	V
PSRR	Power Supply Rejection Ratio		106	127		dB
A_{VOL}	Open-Loop Large Signal Gain	$R_{\text{LOAD}} = 10\text{k}\Omega$	96	130		dB
$V_{\text{OL}}, V_{\text{OH}}$	Output Swing from Supply Rail	$R_{\text{LOAD}} = 100\text{k}\Omega$		10	20	mV
R_{OUT}	Closed-Loop Output Impedance	$G = 1, f = 1\text{kHz}, I_{\text{OUT}} = 0$		0.01		Ω
R_{O}	Open-Loop Output Impedance	$f = 1\text{kHz}, I_{\text{OUT}} = 0$		125		Ω
I_{SC}	Output Short-Circuit Current	Sink or source current		30	72	mA
V_{DD}	Supply Voltage		2.7		36	V
I_{Q}	Quiescent Current per Amplifier			75	120	μA
PM	Phase Margin	$R_{\text{LOAD}} = 10\text{k}\Omega, C_{\text{LOAD}} = 100\text{pF}$		60		$^\circ$
GM	Gain Margin	$R_{\text{LOAD}} = 10\text{k}\Omega, C_{\text{LOAD}} = 100\text{pF}$		8		dB
GBWP	Gain-Bandwidth Product	$f = 1\text{kHz}$		1.3		MHz
SR	Slew Rate	$A_{\text{V}} = 1, V_{\text{OUT}} = 0\text{V}$ to $10\text{V}, C_{\text{LOAD}} = 100\text{pF}, R_{\text{LOAD}} = 10\text{k}\Omega$	2.6	4.1		$\text{V}/\mu\text{s}$
FPBW	Full Power Bandwidth ^{Note 1}			210		kHz
t_{s}	Settling Time, 0.1%	$A_{\text{V}} = -1, 10\text{V}$ Step		3.4		μs
	Settling Time, 0.01%			3.8		
X_{talk}	Channel Separation	$f = 1\text{kHz}, R_L = 10\text{k}\Omega$		110		dB

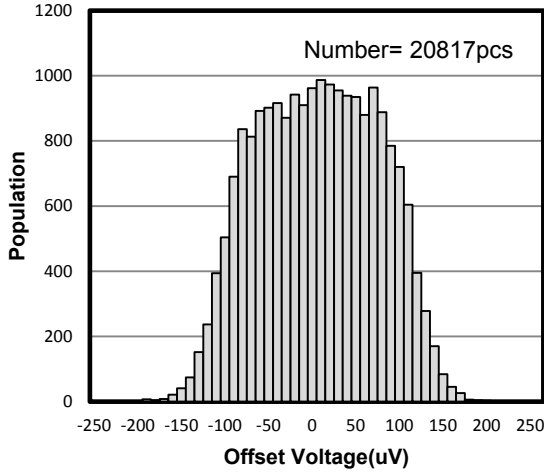
Note 1: Full power bandwidth is calculated from the slew rate $\text{FPBW} = \text{SR}/\pi \cdot V_{\text{P-P}}$

TP1251 / TP1252 / TP1254

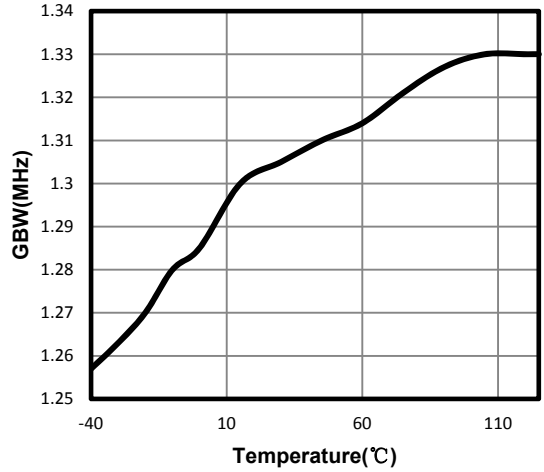
36V Single Supply, Low Power, Precision Op-amps Typical Performance Characteristics

$V_S = \pm 15V$, $V_{CM} = 0V$, $R_L = \text{Open}$, unless otherwise specified.

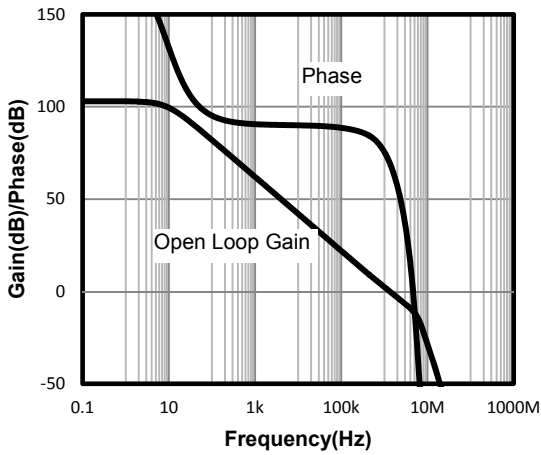
Offset Voltage Production Distribution



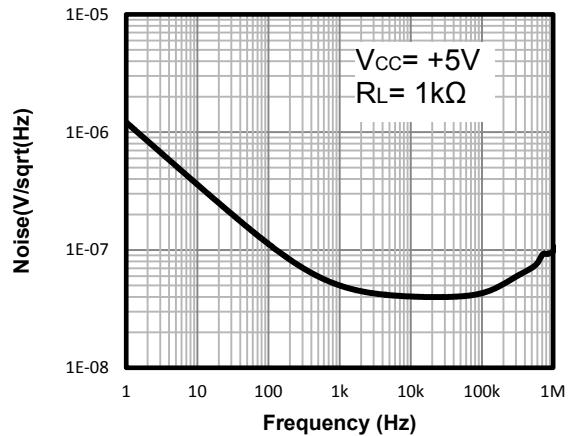
Unity Gain Bandwidth vs. Temperature



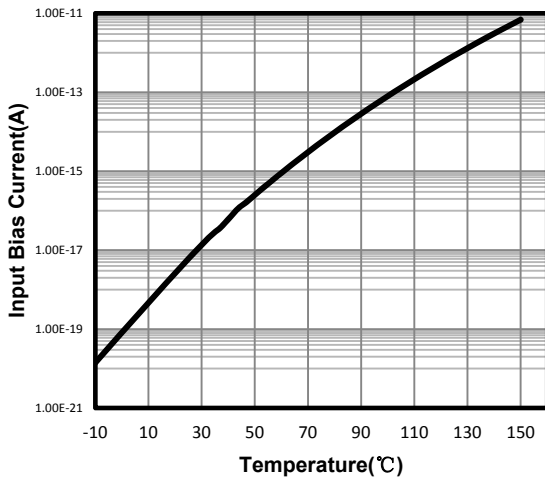
Open-Loop Gain and Phase



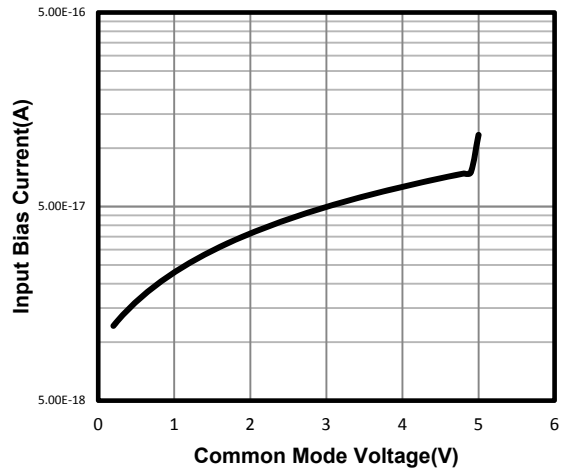
Input Voltage Noise Spectral Density



Input Bias Current vs. Temperature



Input Bias Current vs. Input Common Mode Voltage

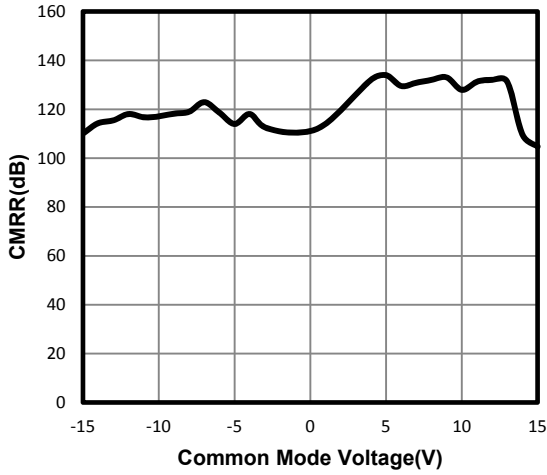


36V Single Supply, Lower Power, Precision Op-amps

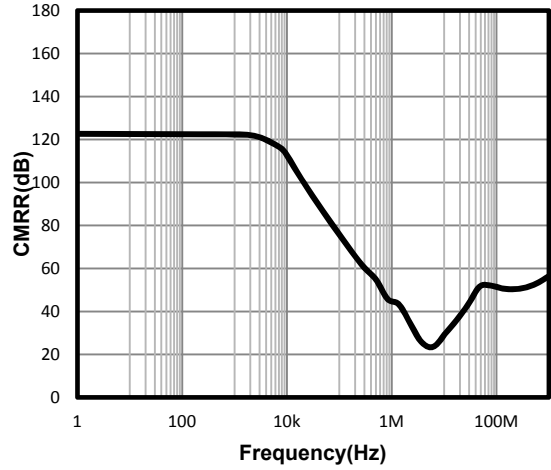
Typical Performance Characteristics

$V_S = \pm 15V$, $V_{CM} = 0V$, $R_L = \text{Open}$, unless otherwise specified. (Continued)

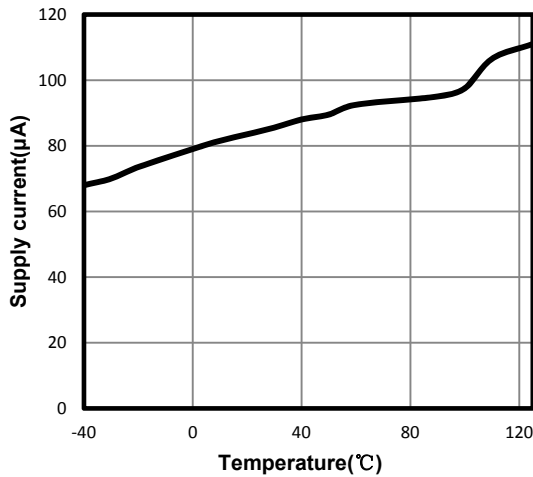
Common Mode Rejection Ratio



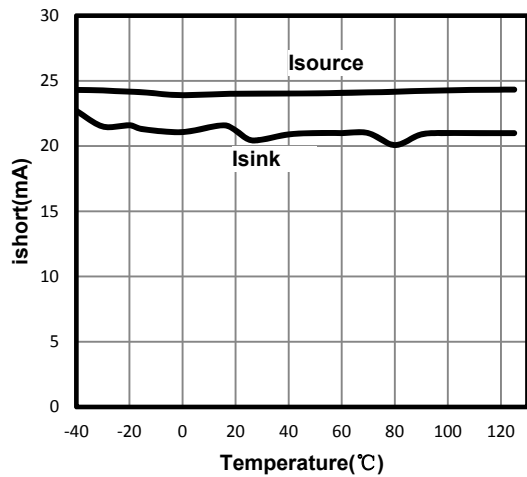
CMRR vs. Frequency



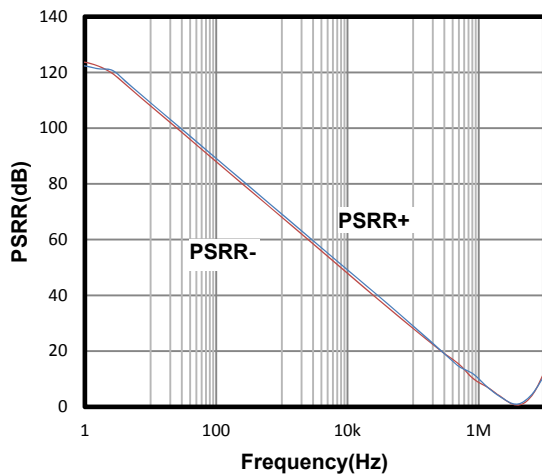
Quiescent Current vs. Temperature



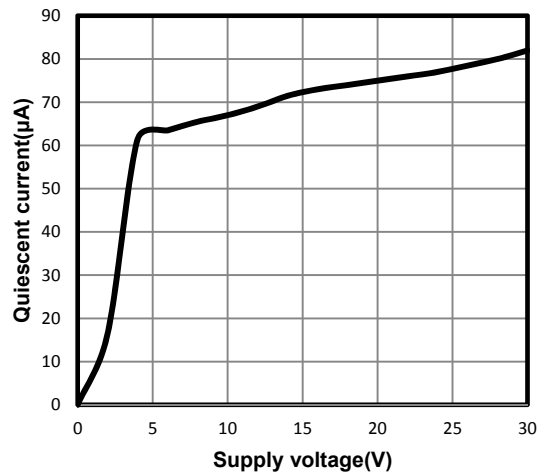
Short Circuit Current vs. Temperature



Power-Supply Rejection Ratio



Quiescent Current vs. Supply Voltage



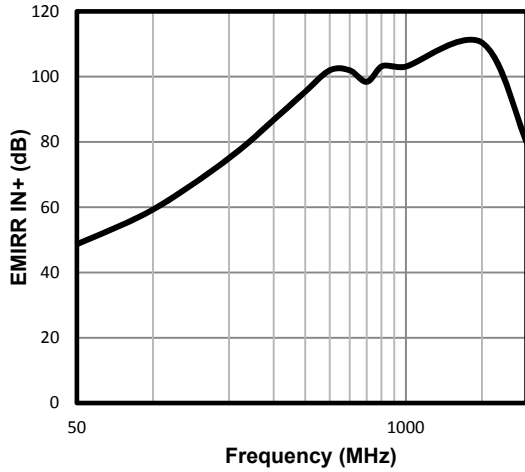
TP1251 / TP1252 / TP1254

36V Single Supply, Low Power, Precision Op-amps

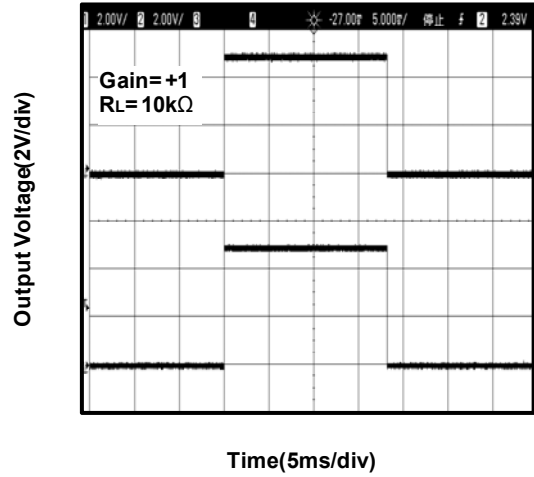
Typical Performance Characteristics

$V_S = \pm 15V$, $V_{CM} = 0V$, $R_L = \text{Open}$, unless otherwise specified. (Continued)

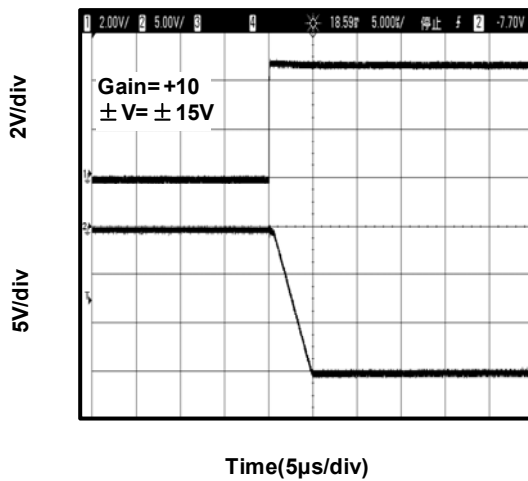
EMIRR IN+ vs. Frequency



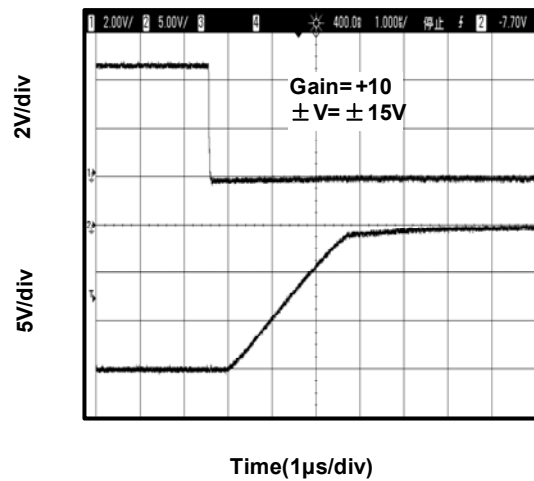
Large-Scale Step Response



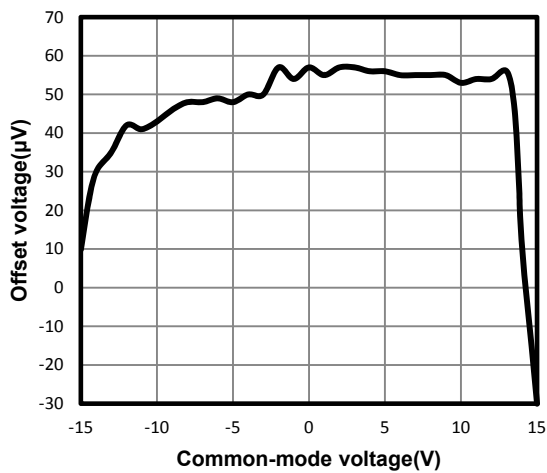
Negative Over-Voltage Recovery



Positive Over-Voltage Recovery



Offset Voltage vs Common-Mode Voltage



36V Single Supply, Lower Power, Precision Op-amps

Pin Functions

-IN: Inverting Input of the Amplifier. Voltage range of this pin can go from V^- to $(V^+ - 2.0V)$.

+IN: Non-Inverting Input of Amplifier. This pin has the same voltage range as -IN.

V+ or +V_S: Positive Power Supply. Typically the voltage is from 2.7V to 36V. Split supplies are possible as long as the voltage between V+ and V- is between 2.7V and 36V. A bypass capacitor of 0.1 μ F as close to the part as possible should be used between power supply pins or between supply pins and ground.

V⁻ or -V_S: Negative Power Supply. It is normally tied to ground. It can also be tied to a voltage other than ground as long as the voltage between V⁺ and V⁻ is from 2.7V to 36V. If it is not connected to ground, bypass it with a capacitor of 0.1 μ F as close to the part as possible.

OUT: Amplifier Output. The voltage range extends to within milli-volts of each supply rail.

N/C: No connection.

Operation

The TP125x op-amps have input signal range from V^- to $(V^+ - 2.0V)$. The output can extend all the way to the supply rails. The input stage is comprised of a PMOS differential amplifier. The Class-AB control buffer and output bias stage uses a proprietary compensation technique to take full advantage of the process technology to drive very high capacitive loads. This is evident from the transient over shoot measurement plots in the Typical Performance Characteristics.

Applications Information

EMI Harden

The EMI hardening makes the TP1251/1252/1254 a must for almost all op amp applications. Most applications are exposed to Radio Frequency (RF) signals such as the signals transmitted by mobile phones or wireless computer peripherals. The TP1251/1252/1254 will effectively reduce disturbances caused by RF signals to a level that will be hardly noticeable. This again reduces the need for additional filtering and shielding. Using this EMI resistant series of op amps will thus reduce the number of components and space needed for applications that are affected by EMI, and will help applications, not yet identified as possible EMI sensitive, to be more robust for EMI.

Wide Supply Voltage

The TP1251/1252/1254 operational amplifiers can operate with power supply voltages from 2.7V to 36V. Each amplifier draws 0.8mA quiescent current at 36V supply voltage. The TP1251/1252/1254 is optimized for wide bandwidth low power applications. They have an industry leading high GBW to power ratio and the GBW remains nearly constant over specified temperature range.

Low Input Bias Current

The TP1251/1252/1254 is a CMOS OPA family and features very low input bias current in pA range. The low input bias current allows the amplifiers to be used in applications with high resistance sources. Care must be taken to minimize PCB Surface Leakage. See below section on "PCB Surface Leakage" for more details.

PCB Surface Leakage

In applications where low input bias current is critical, Printed Circuit Board (PCB) surface leakage effects need to be considered. Surface leakage is caused by humidity, dust or other contamination on the board. Under low humidity conditions, a typical resistance between nearby traces is $10^{12}\Omega$. A 5V difference would cause 5pA of current to flow, which is greater than the TP1251/1252/1254 OPA's input bias current at +27°C ($\pm 3pA$, typical). It is recommended to use multi-layer PCB layout and route the OPA's -IN and +IN signal under the PCB surface.

36V Single Supply, Low Power, Precision Op-amps

The effective way to reduce surface leakage is to use a guard ring around sensitive pins (or traces). The guard ring is biased at the same voltage as the sensitive pin. An example of this type of layout is shown in Figure 1 for Inverting Gain application.

1. For Non-Inverting Gain and Unity-Gain Buffer:

- a) Connect the non-inverting pin (V_{IN+}) to the input with a wire that does not touch the PCB surface.
- b) Connect the guard ring to the inverting input pin (V_{IN-}). This biases the guard ring to the Common Mode input voltage.

2. For Inverting Gain and Trans-impedance Gain Amplifiers (convert current to voltage, such as photo detectors):

- a) Connect the guard ring to the non-inverting input pin (V_{IN+}). This biases the guard ring to the same reference voltage as the op-amp (e.g., $V_{DD}/2$ or ground).
- b) Connect the inverting pin (V_{IN-}) to the input with a wire that does not touch the PCB surface.

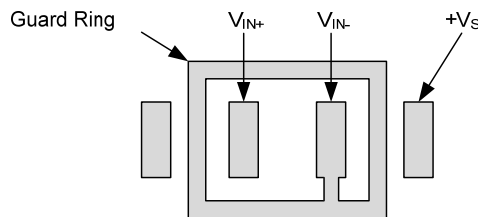


Figure 1 The Layout of Guard Ring

Ground Sensing and Rail to Rail Output

The TP1251/1252/1254 family has excellent output drive capability. It drives $2k\Omega$ load directly with good THD performance. The output stage is a rail-to-rail topology that is capable of swinging to within 50mV of either rail.

The maximum output current is a function of total supply voltage. As the supply voltage to the amplifier increases, the output current capability also increases. Attention must be paid to keep the junction temperature of the IC below 150°C when the output is in continuous short-circuit. The output of the amplifier has reverse-biased ESD diodes connected to each supply. The output should not be forced more than 0.3V beyond either supply, otherwise current will flow through these diodes.

Power Supply Layout and Bypass

The TP1251/1252/1254 OPA's power supply pin (V_{DD} for single-supply) should have a local bypass capacitor (i.e., $0.01\mu\text{F}$ to $0.1\mu\text{F}$) within 2mm for good high frequency performance. It can also use a bulk capacitor (i.e., $1\mu\text{F}$ or larger) within 100mm to provide large, slow currents. This bulk capacitor can be shared with other analog parts.

Ground layout improves performance by decreasing the amount of stray capacitance and noise at the OPA's inputs and outputs. To decrease stray capacitance, minimize PCB board lengths and resistor leads, and place external components as close to the op amps' pins as possible.

Proper Board Layout

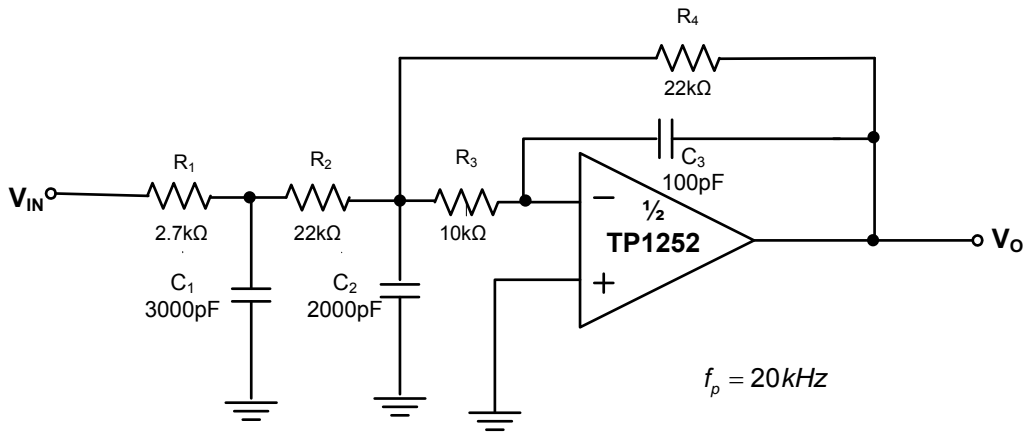
To ensure optimum performance at the PCB level, care must be taken in the design of the board layout. To avoid leakage currents, the surface of the board should be kept clean and free of moisture. Coating the surface creates a barrier to moisture accumulation and helps reduce parasitic resistance on the board.

Keeping supply traces short and properly bypassing the power supplies minimizes power supply disturbances due to output current variation, such as when driving an ac signal into a heavy load. Bypass capacitors should be connected as closely as possible to the device supply pins. Stray capacitances are a concern at the outputs and the inputs of the amplifier. It is recommended that signal traces be kept at least 5mm from supply lines to minimize coupling.

A variation in temperature across the PCB can cause a mismatch in the Seebeck voltages at solder joints and other points where dissimilar metals are in contact, resulting in thermal voltage errors. To minimize these thermocouple effects, orient resistors so heat sources warm both ends equally. Input signal paths should contain matching numbers and types of components, where possible to match the number and type of thermocouple junctions. For example, dummy components such as zero value resistors can be used to match real resistors in the opposite input path. Matching components should be located in close proximity and should be oriented in the same manner. Ensure leads are of equal length so that thermal conduction is in equilibrium. Keep heat sources on the PCB as far away from amplifier input circuitry as is practical.

36V Single Supply, Lower Power, Precision Op-amps

The use of a ground plane is highly recommended. A ground plane reduces EMI noise and also helps to maintain a constant temperature across the circuit board.



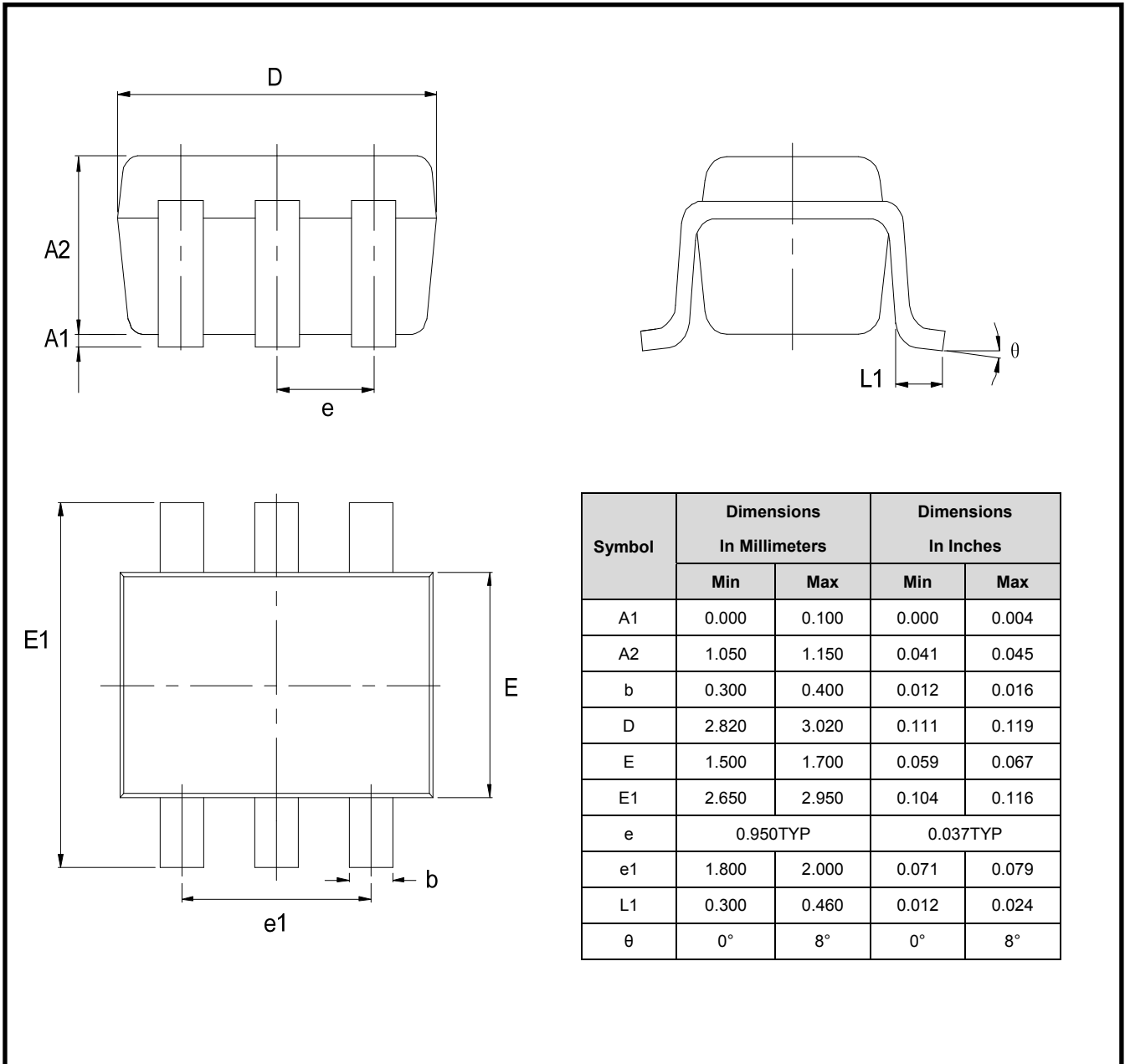
Three-Pole Low-Pass Filter

TP1251 / TP1252 / TP1254

36V Single Supply, Low Power, Precision Op-amps

Package Outline Dimensions

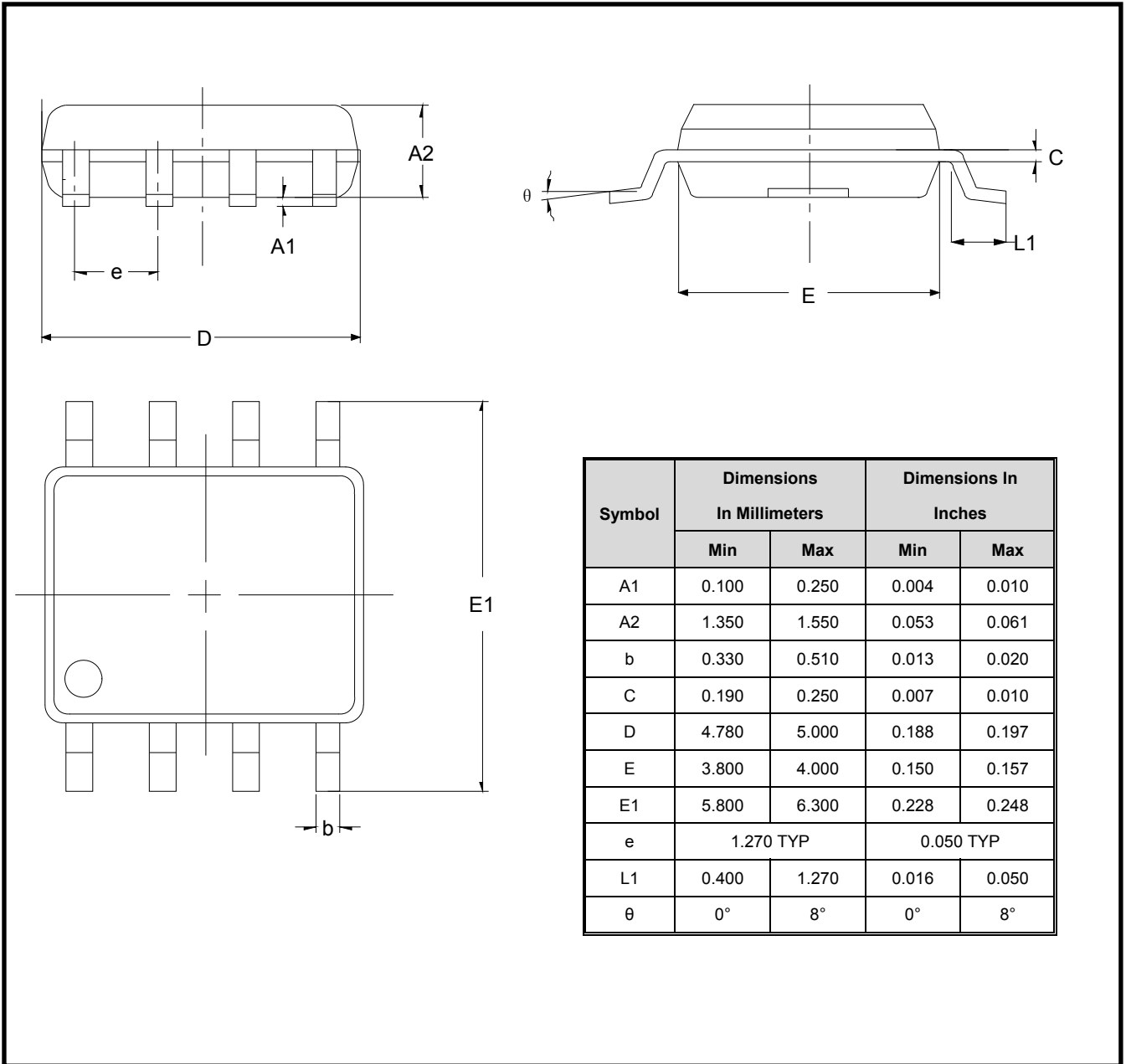
SOT23-5



36V Single Supply, Lower Power, Precision Op-amps

Package Outline Dimensions

SO-8 (SOIC-8)

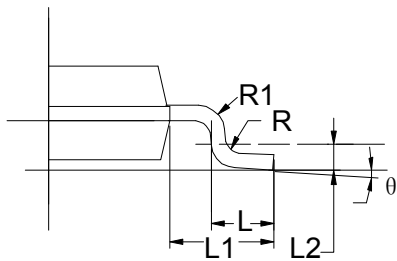
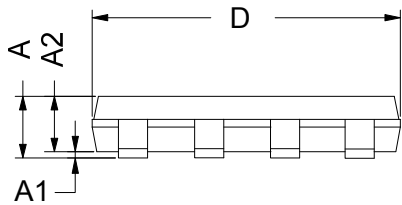
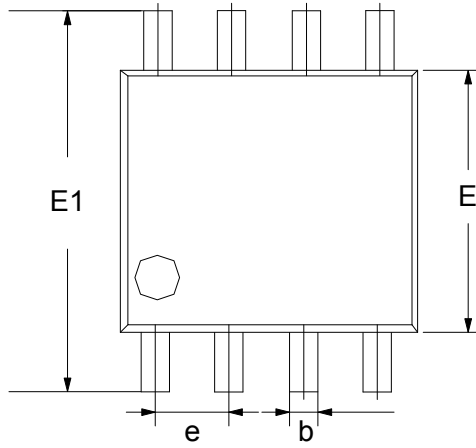


TP1251 / TP1252 / TP1254

36V Single Supply, Low Power, Precision Op-amps

Package Outline Dimensions

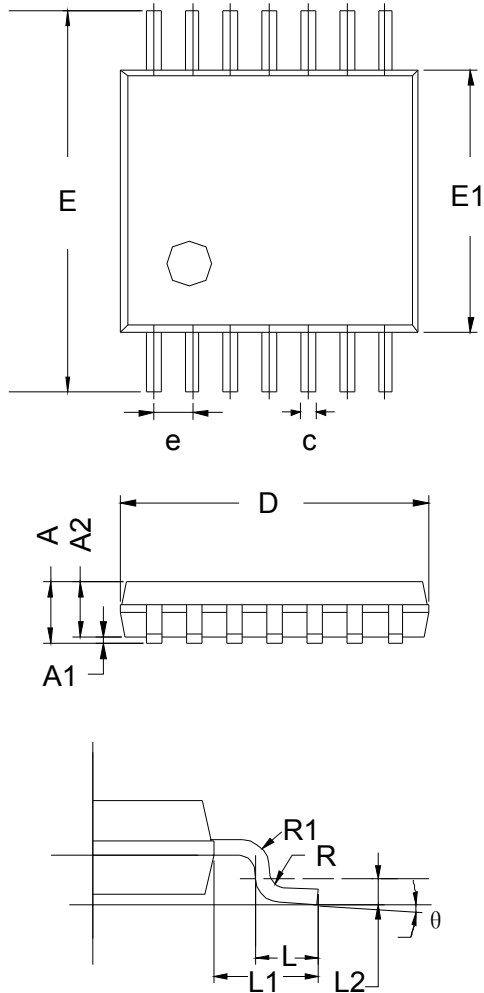
MSOP-8



Symbol	Dimensions In Millimeters		Dimensions In Inches	
	Min	Max	Min	Max
A	0.800	1.200	0.031	0.047
A1	0.000	0.200	0.000	0.008
A2	0.760	0.970	0.030	0.038
b	0.30 TYP		0.012 TYP	
C	0.15 TYP		0.006 TYP	
D	2.900	3.100	0.114	0.122
e	0.65 TYP		0.026	
E	2.900	3.100	0.114	0.122
E1	4.700	5.100	0.185	0.201
L1	0.410	0.650	0.016	0.026
θ	0°	6°	0°	6°

Package Outline Dimensions

TSSOP-14



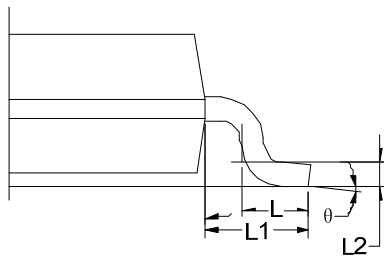
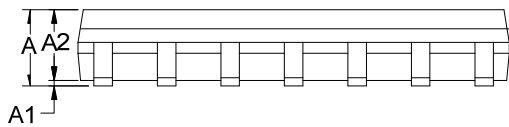
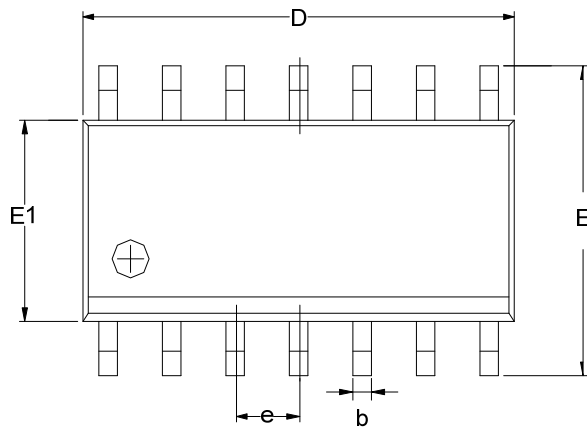
Symbol	Dimensions In Millimeters		
	MIN	TYP	MAX
A	-	-	1.20
A1	0.05	-	0.15
A2	0.90	1.00	1.05
b	0.20	-	0.28
c	0.10	-	0.19
D	4.86	4.96	5.06
E	6.20	6.40	6.60
E1	4.30	4.40	4.50
e	0.65 BSC		
L	0.45	0.60	0.75
L1	1.00 REF		
L2	0.25 BSC		
R	0.09	-	-
θ	0°	-	8°

TP1251 / TP1252 / TP1254

36V Single Supply, Low Power, Precision Op-amps

Package Outline Dimensions

SO-14 (SOIC-14)



Symbol	Dimensions In Millimeters		
	MIN	TYP	MAX
A	1.35	1.60	1.75
A1	0.10	0.15	0.25
A2	1.25	1.45	1.65
b	0.36		0.49
D	8.53	8.63	8.73
E	5.80	6.00	6.20
E1	3.80	3.90	4.00
e	1.27 BSC		
L	0.45	0.60	0.80
L1	1.04 REF		
L2	0.25 BSC		
θ	0°		8°

X-ON Electronics

Largest Supplier of Electrical and Electronic Components

Click to view similar products for [Precision Amplifiers](#) category:

Click to view products by [3PEAK](#) manufacturer:

Other Similar products are found below :

[561681F](#) [NCS20166SN2T1G](#) [NCV21802DMR2G](#) [NCS21802MUTBG](#) [OPA209AIDR](#) [TLC27L7CP](#) [TLV2473CDR](#) [LMP2234AMA/NOPB](#)
[LMP7707MA/NOPB](#) [LMP2231AMAE/NOPB](#) [LMP2234AMTE/NOPB](#) [LMP8672MA/NOPB](#) [LMC6022IM/NOPB](#) [LMC6024IM/NOPB](#)
[LMC6081IMX/NOPB](#) [LMP2011MA/NOPB](#) [LMP2231AMFE/NOPB](#) [LMP2232BMA/NOPB](#) [LMP2234AMAE/NOPB](#) [LMP7715MFE/NOPB](#)
[LMP7717MAE/NOPB](#) [LMV2011MA/NOPB](#) [LT1013DDR](#) [TL034ACDR](#) [TLC2201AMDG4](#) [MCP6061T-E/MNY](#) [TS507IYLT](#) [TS9222IYDT](#)
[OA2ZHA22Q](#) [TLV2472QDRQ1](#) [TLC4502IDR](#) [TLC27M2ACP](#) [TLC2652Q-8DG4](#) [OPA2107APG4](#) [TL054AIDR](#) [AD8619WARZ-R7](#)
[TLC272CD](#) [LT1672IMS8#PBF](#) [LT1996IDD#PBF](#) [LT6010CDD#PBF](#) [LTC6241IDD#PBF](#) [AD8572ARUZ-REEL](#) [LT1077CN8#PBF](#)
[LTC1050CN8#PBF](#) [OP777ARMZ-REEL](#) [LT6220IS5#TRMPBF](#) [LT1211IS8#PBF](#) [LT1124CS8#PBF](#) [TL054IDR](#) [LT1013CDR](#)