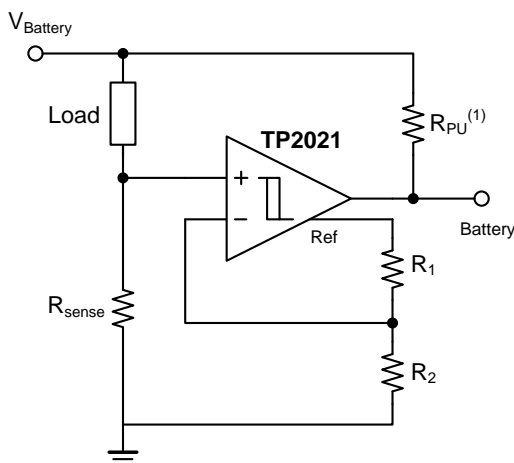


Features

- **Ultra-Low Supply Current:**
390 nA Comparator with Reference
- **Internal 1.248V \pm 1.4% Reference**
- **Fast Response Time: 13 μ s Propagation Delay, with 100 mV Overdrive**
- **Internal Hysteresis for Clean Switching**
- **Offset Voltage: \pm 2.0 mV Maximum**
- **Offset Voltage Temperature Drift: 0.3 μ V/ $^{\circ}$ C**
- **Input Bias Current: 6 pA Typical**
- **Input Common-Mode Range Extends 200 mV**
- **Push-Pull Output with \pm 25 mA Drive Capability**
- **Open-Drain Output Version Available: TP2025**
- **No Phase Reversal for Overdriven Inputs**
- **Low Supply Voltage: 1.8V to 5.5V**
- **Green, Space-Saving SC70/SOT23 Package**

Applications

- **Battery Monitoring / Management**
- **Alarm and Monitoring Circuits**
- **Threshold Detectors/Discriminators**
- **Sensing at Ground or Supply Line**
- **Oscillators and RC Timers**
- **Mobile Communications and Notebooks**
- **Ultra-Low-Power Systems**




NOTE: (1) Use R_{PU} with the TP2025

TP2021 in Low-Side Current Sensing

Description

The TP2021 has a push-pull output stage with loads up to 25mA. The TP2025 has an open-drain output stage that makes it suitable for mixed-voltage system design. Both feature an on-chip 1.248V \pm 1.4% reference and draw an ultra-low supply current of only 440nA (max). The TP202x incorporate 3PEAK's proprietary and patented design techniques to achieve the best world-class performance among all nano-power comparators. Both have 13 μ s fast response time under 1.8V to 5.5V supply. The internal input hysteresis eliminates output switching due to internal input noise voltage, reducing current draw. They have input common-mode range 200mV beyond the supply rails, and operate down to +1.8V. The integrated 1.248V voltage reference offers low 120ppm/ $^{\circ}$ C drift, is stable with up to 10nF capacitive load, and can provide up to 25mA of output current. These features make the TP202x ideal for all 2-Cell Battery Monitoring/Management.

The TP202x is available in the tiny SC70/SOT23 package for space-conservative designs. Both versions are specified for the temperature range of -40° C to $+85^{\circ}$ C.

 3PEAK and the 3PEAK logo are registered trademarks of 3PEAK INCORPORATED. All other trademarks are the property of their respective owners.

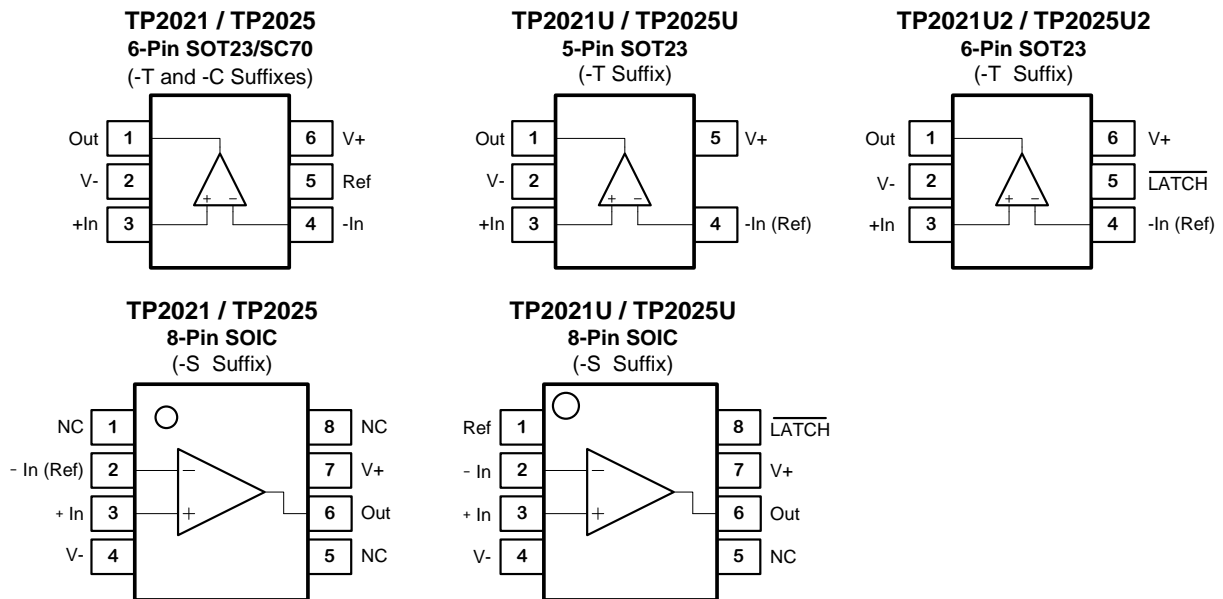
Related Products

DEVICE	DESCRIPTION
TP1941/TP1941N /TP1942/TP1944	Fast 68ns, 1.8V Low Power (46 μ A), Internal Hysteresis, \pm 3mV Maximum V_{OS} , $-0.2V$ to $V_{DD} + 0.2V$ RRI, Push-Pull (CMOS/TTL) Output Comparators
TP1945/TP1945N /TP1946/TP1948	Fast 68ns, 1.8V Low Power (46 μ A), Internal Hysteresis, \pm 3mV Maximum V_{OS} , $-0.2V$ to $V_{DD} + 0.2V$ RRI, Open-Drain Output Comparators
TP1931 /TP1932/TP1934	950ns, 3 μ A, 1.8V, \pm 2.5mV V_{OS-MAX} , $-0.2V$ to $V_{DD} + 0.2V$ RRI, Internal Hysteresis, Push-Pull Output Comparators
TP1935 /TP1936/TP1938	950ns, 3 μ A, 1.8V, \pm 2.5mV V_{OS-MAX} , $-0.2V$ to $V_{DD} + 0.2V$ RRI, Internal Hysteresis, Open-Drain Comparators
TP2011 /TP2012/TP2014	Ultra-low 200nA, 13 μ s, 1.6V, \pm 2mV Maximum V_{OS} , Internal Hysteresis, $-0.2V$ to $V_{DD} + 0.2V$ RRI, Push-Pull (CMOS/TTL) Output Comparators
TP2015 /TP2016/TP2018	Ultra-low 200nA, 13 μ s, 1.6V, \pm 2mV Maximum V_{OS} , Internal Hysteresis, $-0.2V$ to $V_{DD} + 0.2V$ RRI, Open-Drain Output Comparators

TP2021/TP2025

SC70, 1.8V, Nano-power Comparators with Voltage Reference

Pin Configuration (Top View)



Order Information

Model Name	Order Number	Package	Transport Media, Quantity	Marking Information
TP2021	TP2021-TR	6-Pin SOT23	Tape and Reel, 3000	C2TYW ⁽¹⁾
	TP2021-CR	6-Pin SC70	Tape and Reel, 3000	C2CYW ⁽¹⁾
	TP2021-SR	8-Pin SOIC	Tape and Reel, 4000	2021S
TP2021U	TP2021U-TR	5-Pin SOT23	Tape and Reel, 3000	C2UYW ⁽¹⁾
	TP2021U-SR	8-Pin SOIC	Tape and Reel, 4000	2021US
TP2021U2	TP2021U2-TR	6-Pin SOT23	Tape and Reel, 3000	C2VYW ⁽¹⁾
TP2025	TP2025-TR	6-Pin SOT23	Tape and Reel, 3000	CT2YW ⁽¹⁾
	TP2025-CR	6-Pin SOT23	Tape and Reel, 3000	CC2YW ⁽¹⁾
	TP2025-SR	8-Pin SOIC	Tape and Reel, 4000	2025S
TP2025U	TP2025U-TR	5-Pin SOT23	Tape and Reel, 3000	CU2YW ⁽¹⁾
	TP2025U-SR	8-Pin SOIC	Tape and Reel, 4000	2025US
TP2025U2	TP2025U2-TR	6-Pin SOT23	Tape and Reel, 3000	CV2YW ⁽¹⁾

Note (1): 'YW' is date coding scheme. 'Y' stands for calendar year, and 'W' stands for single workweek coding scheme.

Absolute Maximum Ratings Note 1

Supply Voltage: $V^+ - V^-$6.0V	Operating Temperature Range.....-40°C to 85°C
Input Voltage..... $V^- - 0.3$ to $V^+ + 0.3$	Maximum Junction Temperature..... 150°C
Input Current: +IN, -IN, <small>Note 2</small>±10mA	Storage Temperature Range..... -65°C to 150°C
Output Current: OUT..... ±25mA	Lead Temperature (Soldering, 10 sec) 260°C
Output Short-Circuit Duration <small>Note 3</small> Indefinite	

Note 1: Stresses beyond those listed under Absolute Maximum Ratings may cause permanent damage to the device. Exposure to any Absolute Maximum Rating condition for extended periods may affect device reliability and lifetime.

Note 2: The inputs are protected by ESD protection diodes to each power supply. If the input extends more than 500mV beyond the power supply, the input current should be limited to less than 10mA.

Note 3: A heat sink may be required to keep the junction temperature below the absolute maximum. This depends on the power supply voltage and how many amplifiers are shorted. Thermal resistance varies with the amount of PC board metal connected to the package. The specified values are for short traces connected to the leads.

ESD, Electrostatic Discharge Protection

Symbol	Parameter	Condition	Minimum Level	Unit
HBM	Human Body Model ESD	MIL-STD-883H Method 3015.8	8	kV
CDM	Charged Device Model ESD	JEDEC-EIA/JESD22-C101E	2	kV

TP2021/TP2025

SC70, 1.8V, Nano-power Comparators with Voltage Reference

Electrical Characteristics

The ● denotes the specifications which apply over the full operating temperature range, otherwise specifications are at $T_A = 27^\circ\text{C}$. $V_{DD} = +1.8\text{V}$ to $+5.5\text{V}$, $V_{IN+} = V_{DD}$, $V_{IN-} = 1.2\text{V}$, $R_{PU}=10\text{k}\Omega$, $C_L=15\text{pF}$.

SYMBOL	PARAMETER	CONDITIONS	MIN	TYP	MAX	UNITS	
V_{DD}	Supply Voltage		●	1.8	5.5	V	
V_{OS}	Input Offset Voltage ^{Note 1}	$V_{CM} = 1.2\text{V}$	●	-2.0	0.5	+2.0	mV
$V_{OS\ TC}$	Input Offset Voltage Drift ^{Note 1}	$V_{CM} = 1.2\text{V}$		0.3		$\mu\text{V}/^\circ\text{C}$	
V_{HYST}	Input Hysteresis Voltage ^{Note 1}	$V_{CM} = 1.2\text{V}$	●	3	4	7	mV
$V_{HYST\ TC}$	Input Hysteresis Voltage Drift ^{Note 1}	$V_{CM} = 1.2\text{V}$		20		$\mu\text{V}/^\circ\text{C}$	
I_B	Input Bias Current	$V_{CM} = 1.2\text{V}$		6		pA	
I_{OS}	Input Offset Current	$V_{CM} = 1.2\text{V}$		4		pA	
R_{IN}	Input Resistance			> 100		G Ω	
C_{IN}	Input Capacitance	Differential Common Mode		2 4		pF	
CMRR	Common Mode Rejection Ratio	$V_{CM} = V_{SS}$ to V_{DD}	●	50	82		dB
V_{CM}	Common-mode Input Voltage Range		●	V^-		V^+	V
PSRR	Power Supply Rejection Ratio		●	60	90		dB
V_{OH}	High-Level Output Voltage	$I_{OUT}=-1\text{mA}$	●	$V_{DD}-0.3$			V
V_{OL}	Low-Level Output Voltage	$I_{OUT}=1\text{mA}$	●			$V_{SS}+0.3$	V
I_{SC}	Output Short-Circuit Current	Sink or source current			25		mA
I_Q	Quiescent Current per Comparator		●		390	440	nA
V_{OUT}	Reference Voltage			1.230	1.248	1.265	V
$V_{OUT\ TC}$	Reference Voltage Drift			150		$\mu\text{V}/^\circ\text{C}$	
$V_{OUT\ LC}$	Reference Voltage Load Regulation	$0\mu\text{A}\leq I_{SOURCE}\leq 400\mu\text{A}$			1.45		$\mu\text{V}/\mu\text{A}$
		$0\mu\text{A}\leq I_{SINK}\leq 400\mu\text{A}$			0.13		$\mu\text{V}/\mu\text{A}$
t_R	Rising Time ^{Note 2}				5		ns
t_F	Falling Time				5		ns
t_{PD+}	Propagation Delay (Low-to-High)	Overdrive=100mV, $V_{IN-}=1.2\text{V}$	●		13	19	μs
t_{PD-}	Propagation Delay (High-to-Low)	Overdrive=100mV, $V_{IN-}=1.2\text{V}$	●		14	18	μs
$T_{PD-SKEW}$	Propagation Delay Skew ^{Note 3}	Overdrive=100mV, $V_{IN-}=1.2\text{V}$	●		1	5	μs

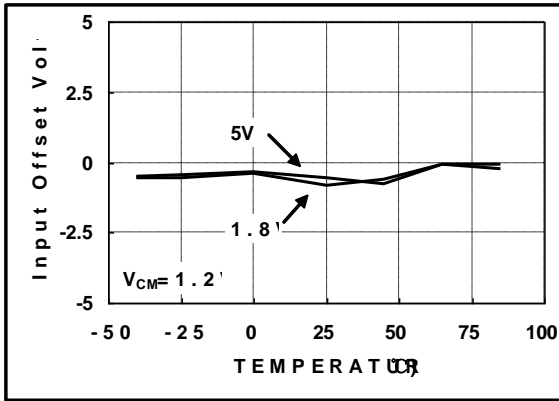
Note 1: The input offset voltage is the average of the input-referred trip points. The input hysteresis is the difference between the input-referred trip points.

Note 2: For TP2025/TP2025U, t_R dependent on R_{PU} and C_L .

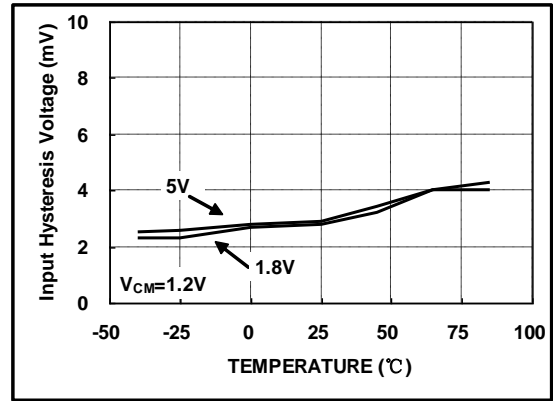
Note 3: Propagation Delay Skew is defined as: $t_{PD-SKEW} = t_{PD+} - t_{PD-}$.

Typical Performance Characteristics

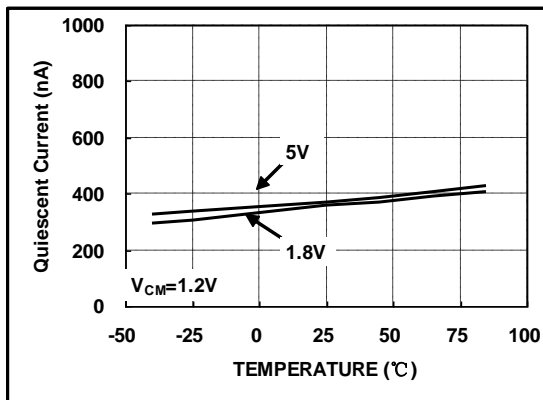
Input Offset Voltage vs. Temperature



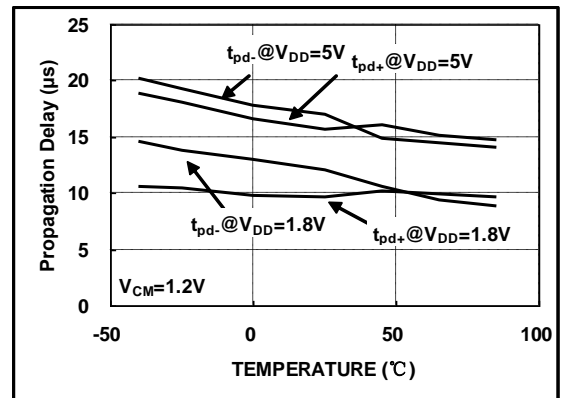
Input Hysteresis Voltage vs. Temperature



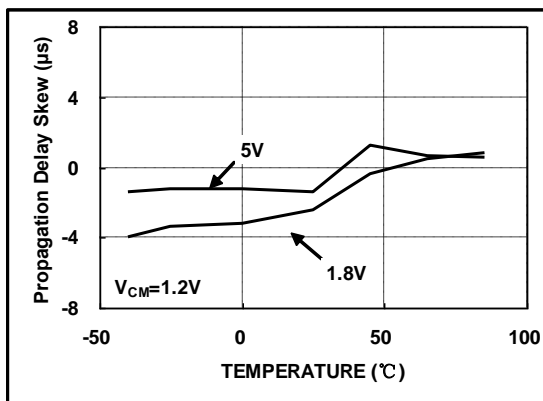
Quiescent Current vs. Temperature



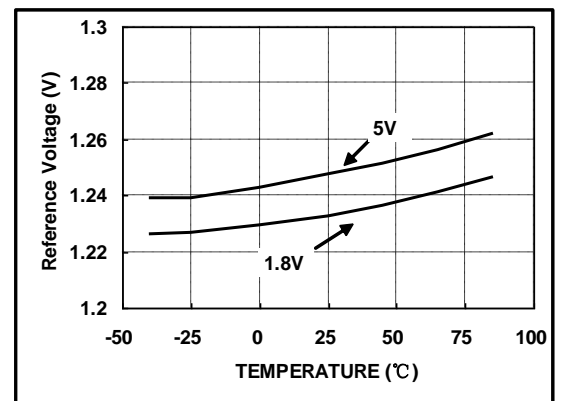
Propagation Delay vs. Temperature



Propagation Delay Skew vs. Temperature

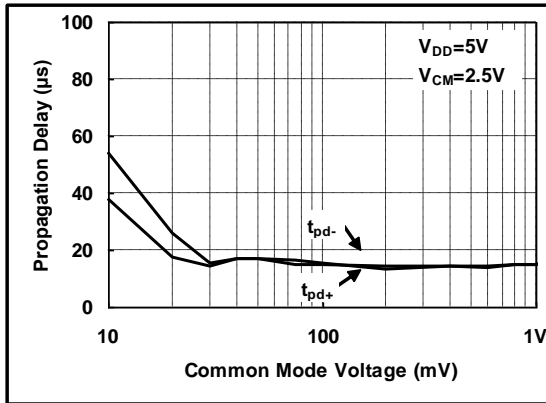


Reference Voltage vs. Temperature

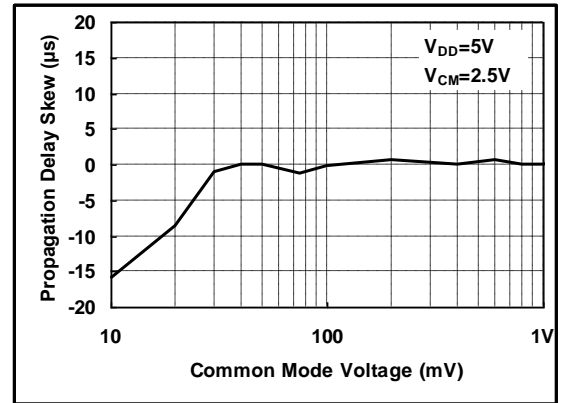


Typical Performance Characteristics

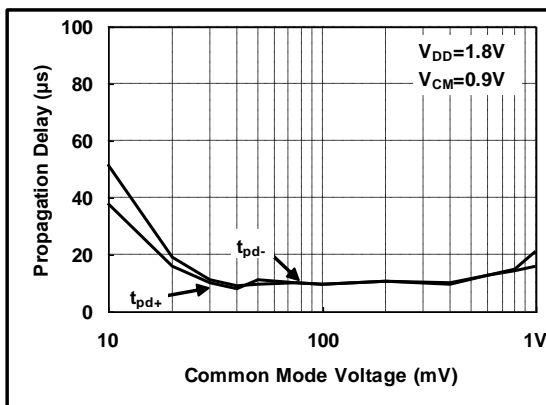
Propagation Delay vs. Overdrive Voltage



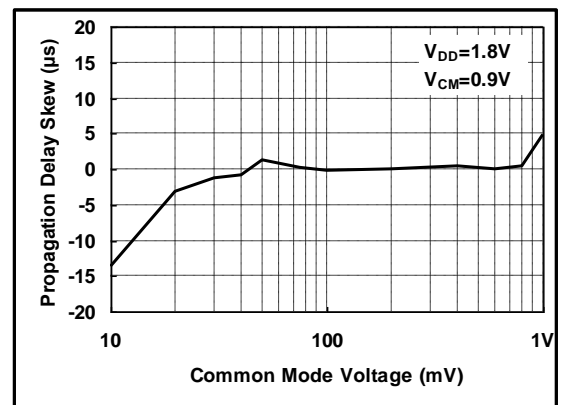
Propagation Delay Skew vs. Overdrive Voltage



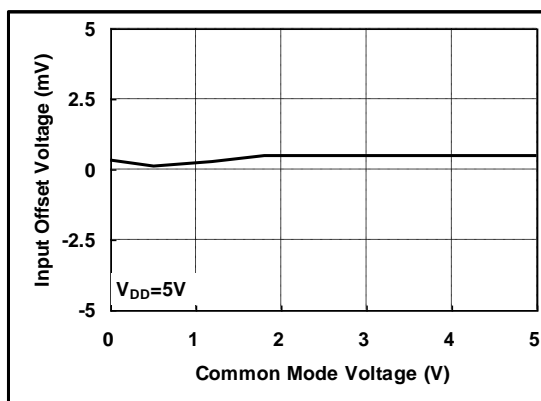
Propagation Delay vs. Overdrive Voltage



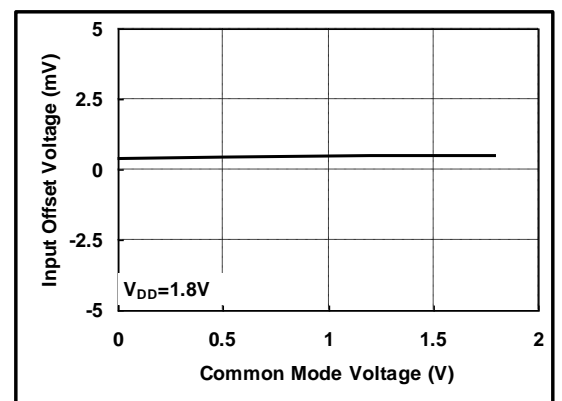
Propagation Delay Skew vs. Overdrive Voltage



Input Offset Voltage vs. Common Mode Voltage

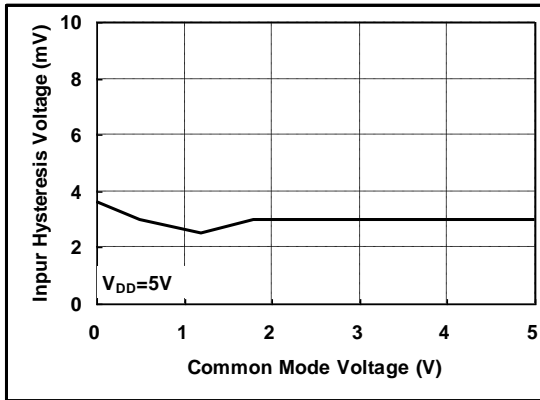


Input Offset Voltage vs. Common Mode Voltage

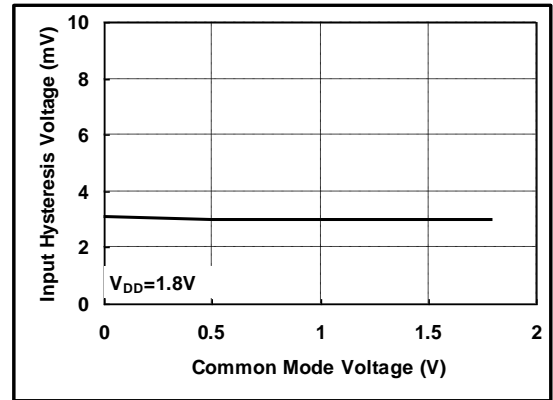


Typical Performance Characteristics

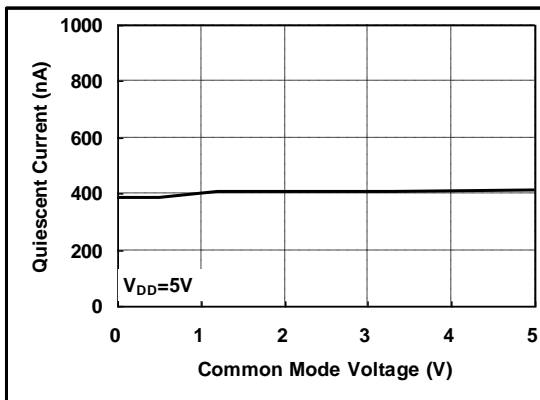
Input Hysteresis Voltage vs. Common Mode Voltage



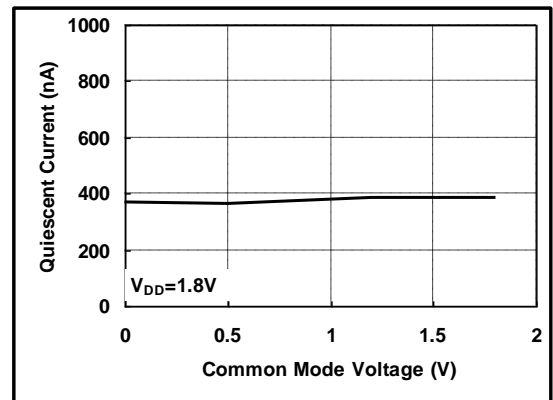
Input Hysteresis Voltage vs. Common Mode Voltage



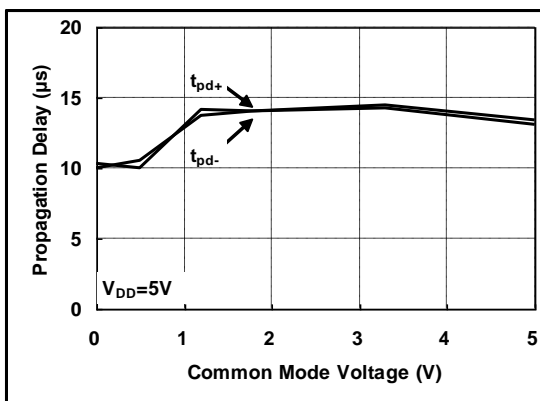
Quiescent Current vs. Common Mode Voltage



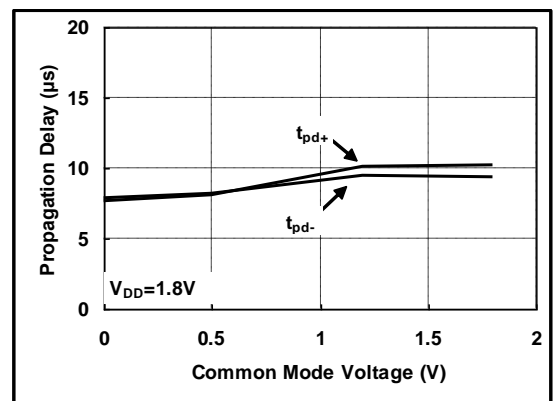
Quiescent Current vs. Common Mode Voltage



Propagation Delay vs. Common Mode Voltage

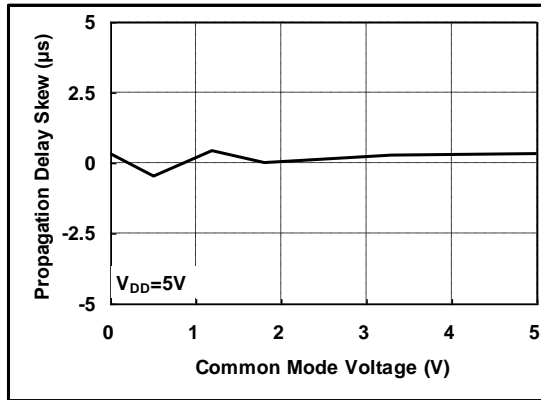


Propagation Delay vs. Common Mode Voltage

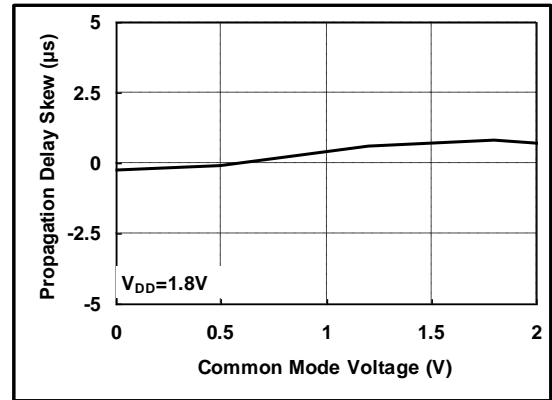


Typical Performance Characteristics

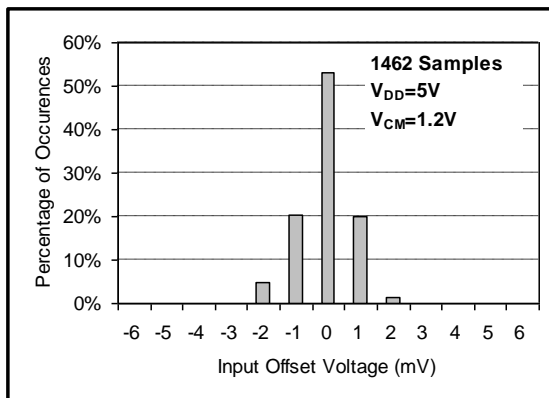
Propagation Delay Skew vs. Common Mode Voltage



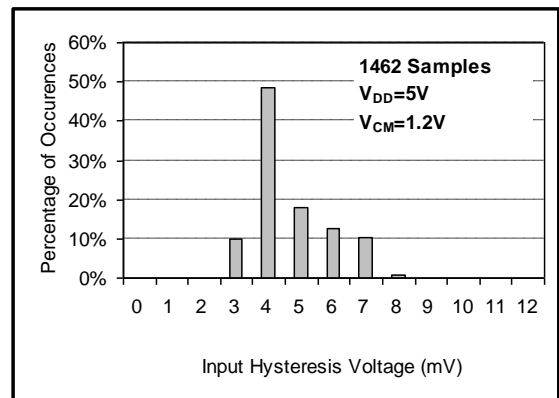
Propagation Delay Skew vs. Common Mode Voltage



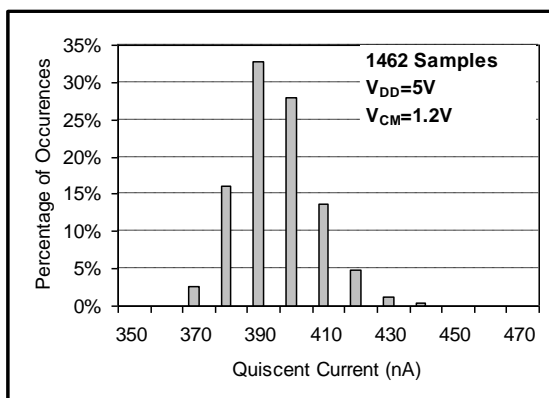
Input Offset Voltage Distribution



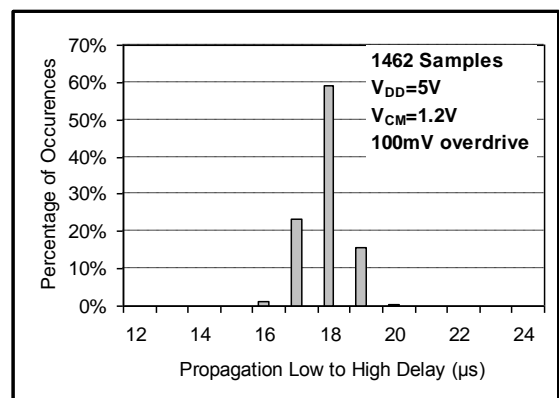
Input Hysteresis Voltage Distribution



Quiescent Current Distribution

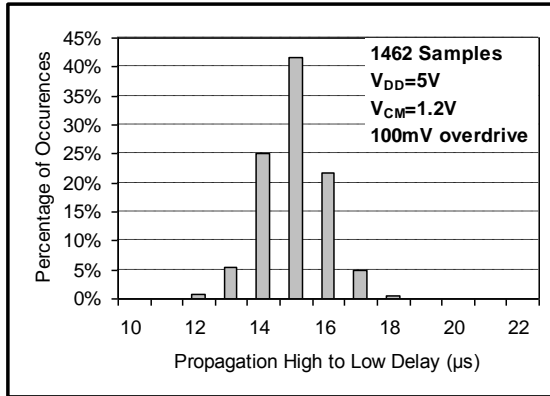


Low to High Propagation Delay Distribution

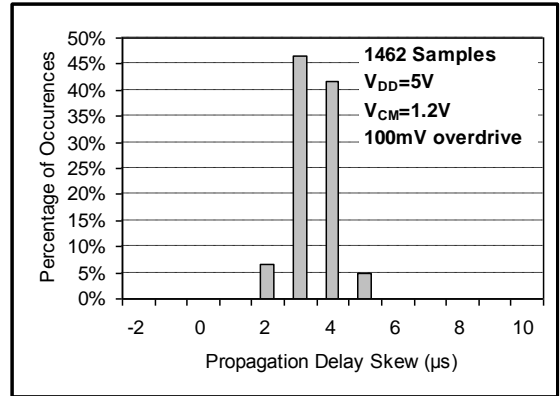


Typical Performance Characteristics

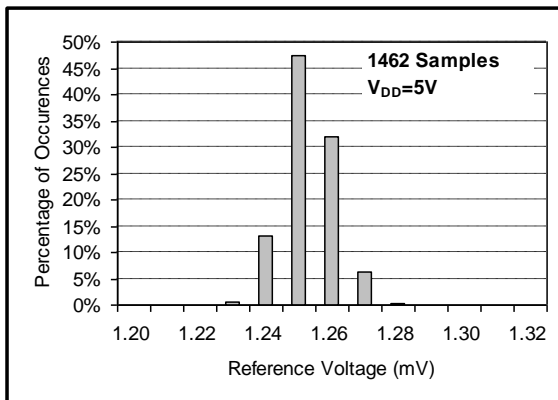
High to Low Propagation Delay Distribution



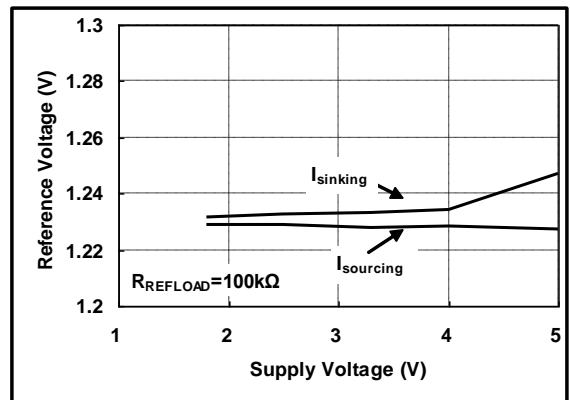
Propagation Delay Skew Distribution



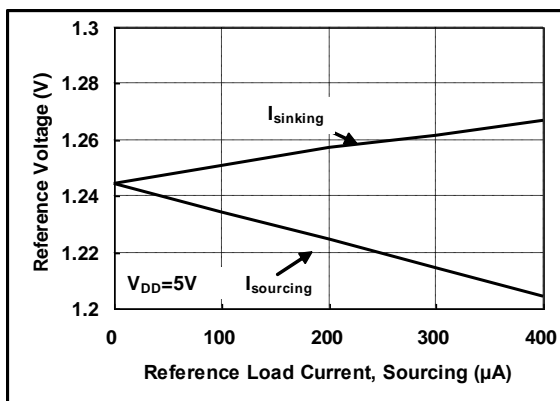
Reference Voltage Distribution



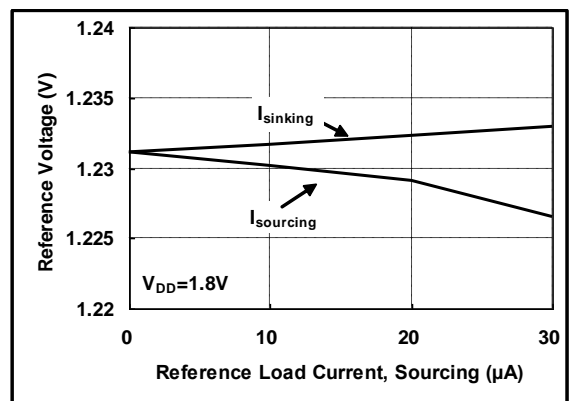
Reference Voltage vs. Supply Voltage



Reference Voltage vs. Reference Load Current

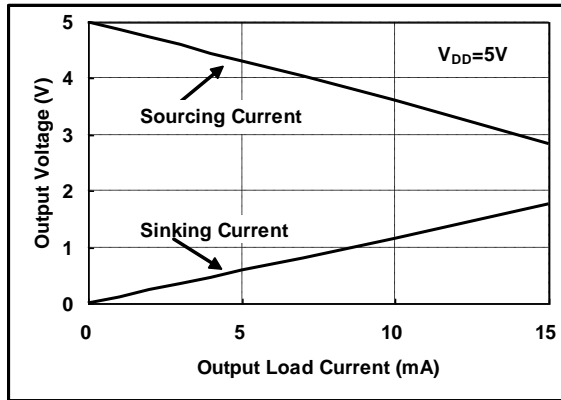


Reference Voltage vs. Reference Load Current

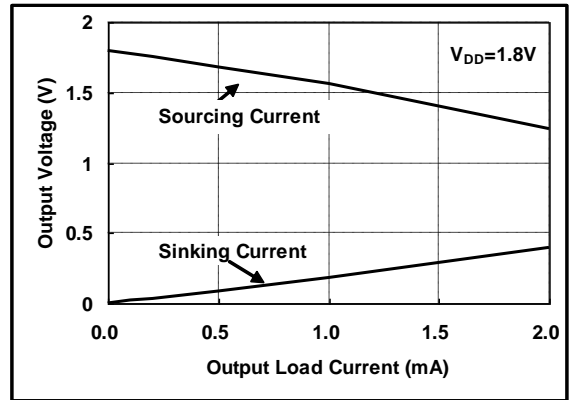


Typical Performance Characteristics

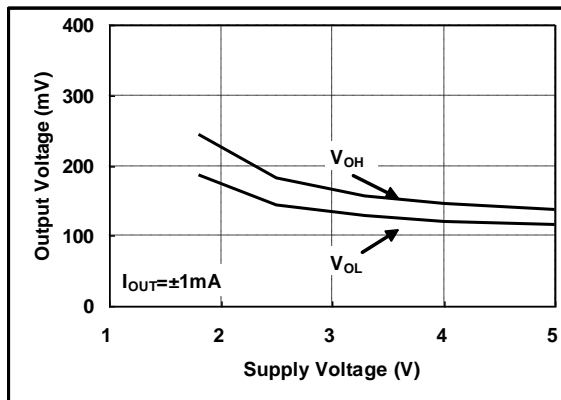
Output Voltage Headroom vs. Output Load Current



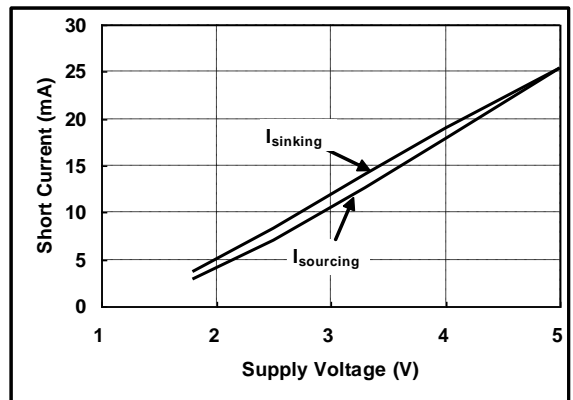
Output Voltage Headroom vs. Output Load Current



Output Voltage Headroom vs. Supply Voltage



Output Short Current vs. Supply Voltage



Pin Functions

-IN: Inverting Input of the Comparator. Voltage range of this pin can go from $V^- - 0.3V$ to $V^+ + 0.3V$.

+IN: Non-Inverting Input of Comparator. This pin has the same voltage range as -IN.

V+: Positive Power Supply. Typically the voltage is from 1.8V to 5.5V. Split supplies are possible as long as the voltage between V+ and V- is between 1.8V and 5.5V. A bypass capacitor of 0.1 μ F as close to the part as possible should be used between power supply pins or between supply pins and ground.

V-: Negative Power Supply. It is normally tied to ground. It can also be tied to a voltage other than ground as long as the voltage between V^+ and V^- is from 1.8V to 5.5V. If it is not connected to ground, bypass it with a capacitor of 0.1 μ F as close to the part as possible.

OUT: Comparator Output. The voltage range extends to within millivolts of each supply rail.

Ref: Reference voltage output.

LATCH: Active Low Latch enable. Latch enable threshold is 1/2 V+ above negative supply rail.

NC: No Connection.

Operation

The TP202x family single-supply comparators feature internal hysteresis, internal reference, high speed, and ultra-low power. Input signal range extends beyond the negative and positive power supplies. The output can even extend all the way to the negative supply. The input stage is comprised of two CMOS differential

amplifiers, a PMOS stage and NMOS stage that are active over different ranges of common mode input voltage. Rail-to-rail input voltage range and low-voltage single-supply operation make these devices ideal for portable equipment.

Applications Information

Inputs

The TP202x comparator family uses CMOS transistors at the input which prevent phase inversion when the input pins exceed the supply voltages. Figure 1 shows an input voltage exceeding both supplies with no resulting phase inversion.

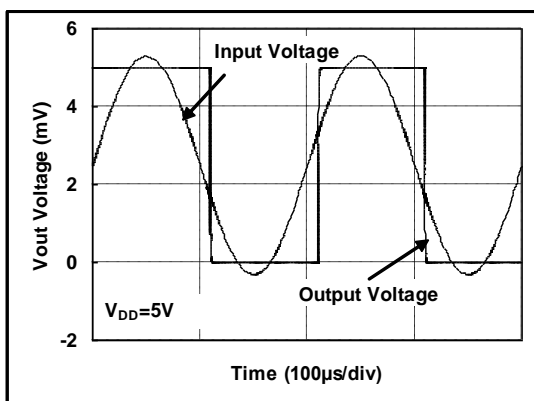


Figure 1. Response time to Input Voltage

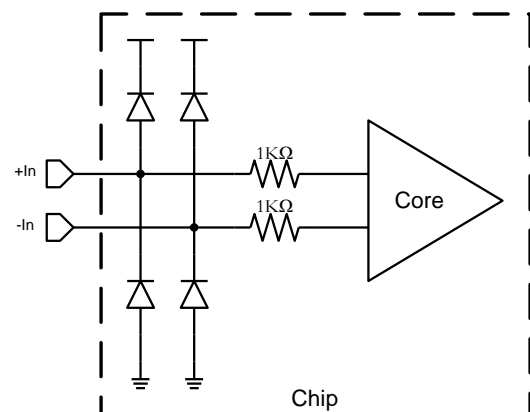


Figure 2. Equivalent Input Structure

The electrostatic discharge (ESD) protection input structure of two back-to-back diodes and 1k Ω series resistors are used to limit the differential input voltage applied to the precision input of the comparator by clamping input voltages that exceed supply voltages, as shown in Figure 2.

Large differential voltages exceeding the supply voltage should be avoided to prevent damage to the input stage.

Internal Hysteresis

Most high-speed comparators oscillate in the linear region because of noise or undesired parasitic feedback. This tends to occur when the voltage on one input is at or equal to the voltage on the other input. To counter the parasitic effects and noise, the TP202x implements internal hysteresis.

The hysteresis in a comparator creates two trip points: one for the rising input voltage and one for the falling input voltage. The difference between the trip points is the hysteresis. When the comparator's input voltages are equal, the hysteresis effectively causes one comparator input voltage to move quickly past the other, thus taking the input out of the region where oscillation occurs. Figure 3 illustrates the case where IN- is fixed and IN+ is varied. If the inputs were reversed, the figure would look the same, except the output would be inverted.

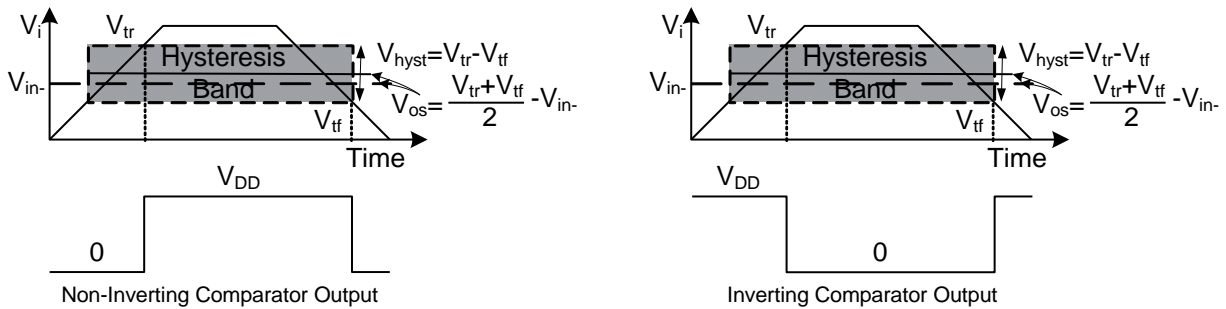


Figure 3. Comparator's hysteresis and offset

External Hysteresis

Greater flexibility in selecting hysteresis is achieved by using external resistors. Hysteresis reduces output chattering when one input is slowly moving past the other. It also helps in systems where it is best not to cycle between high and low states too frequently (e.g., air conditioner thermostatic control). Output chatter also increases the dynamic supply current.

Non-Inverting Comparator with Hysteresis

A non-inverting comparator with hysteresis requires a two-resistor network, as shown in Figure 4 and a voltage reference (V_r) at the inverting input.

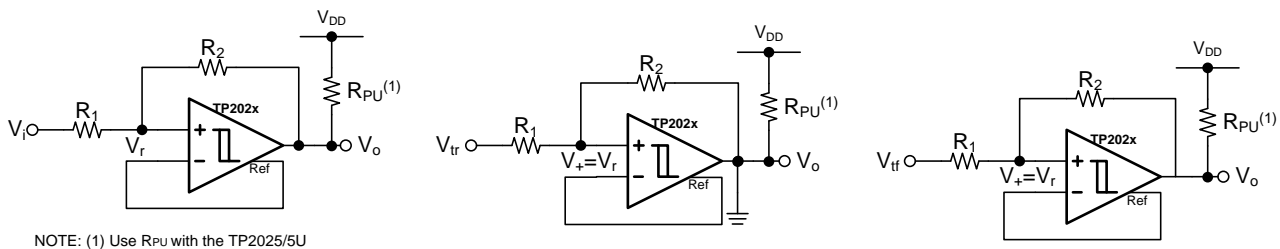


Figure 4. Non-Inverting Configuration with Hysteresis

Consider the comparator of TP2021/TP2021U, when V_i is low, the output is also low. For the output to switch from low to high, V_i must rise up to V_{tr} . When V_i is high, the output is also high. In order for the comparator to switch back to a low state, V_i must equal V_{tf} before the non-inverting input V_+ is again equal to V_r .

$$V_r = \frac{R_2}{R_1 + R_2} V_{tr}$$

$$V_r = (V_{DD} - V_{tf}) \frac{R_1}{R_1 + R_2} + V_{tf}$$

$$V_{tr} = \frac{R_1 + R_2}{R_2} V_r$$

$$V_{tf} = \frac{R_1 + R_2}{R_2} V_r - \frac{R_1}{R_2} V_{DD}$$

$$V_{hyst} = V_{tr} - V_{tf} = \frac{R_1}{R_2} V_{DD}$$

As for the TP2025/TP2025U, a pull-up resistor should be placed between output and the supply. The formula for calculating V_{tr} is slight difference with TP2021/TP2021U, so does the hysteresis voltage V_{hyst} .

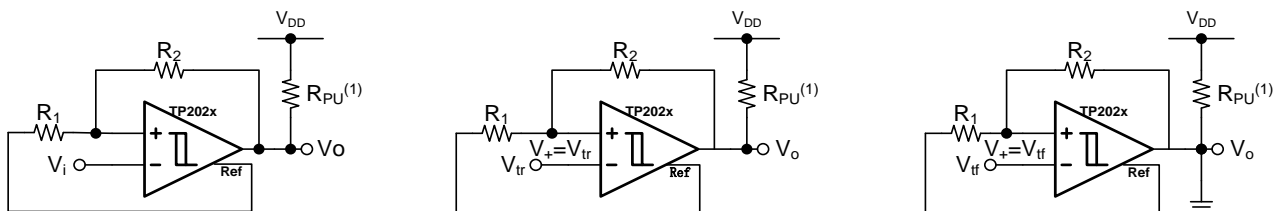
$$V_r = (V_{DD} - V_{tf}) \frac{R_1}{R_1 + R_2 + R_{PU}} + V_{tf}$$

$$V_{tf} = \frac{R_1 + R_2 + R_{PU}}{R_2 + R_{PU}} V_r - \frac{R_1}{R_2 + R_{PU}} V_{DD}$$

$$V_{hyst} \approx \frac{R_1}{R_2 + R_{PU}} V_{DD} \quad \text{if } R_{PU} \ll R_2$$

Inverting Comparator with Hysteresis

The inverting comparator with hysteresis requires a two-resistor network that is referenced to the comparator supply voltage (V_{DD}), as shown in Figure 5.



NOTE: (1) Use R_{PU} with the TP2025/5U

Figure 5. Inverting Configuration with Hysteresis

Consider the comparator of TP2021/TP2021U, when V_i is greater than V_+ , the output voltage is low. In this case, the three network resistors can be presented as paralleled resistor $R_2 \parallel R_3$ in series with R_1 . When V_i at the inverting input is less than V_+ , the output voltage is high. The three network resistors can be represented as $R_1 \parallel R_3$ in series with R_2 .

$$V_{tr} = \frac{R_1}{R_2 + R_1} (V_{DD} - V_{ref}) + V_{ref}$$

$$V_{tf} = \frac{R_2}{R_1 + R_2} V_{ref}$$

$$V_{\text{hyst}} = V_{\text{tr}} - V_{\text{tf}} = \frac{R_1}{R_1 + R_2} V_{\text{DD}}$$

As for the TP2025/TP2025U, a pull-up resistor should be placed between output and the supply. The formula for calculating V_{tr} is slight difference with TP2021/TP2021U, so does the hysteresis voltage V_{hyst} .

$$V_{\text{tr}} = \frac{R_1}{R_{\text{PU}} + R_2 + R_1} (V_{\text{DD}} - V_{\text{ref}}) + V_{\text{ref}}$$

$$V_{\text{hyst}} = \frac{R_1}{R_1 + R_2} V_{\text{DD}} \quad \text{if } R_{\text{PU}} \ll R_2$$

Low Input Bias Current

The TP202x family is a CMOS comparator family and features very low input bias current in pA range. The low input bias current allows the comparators to be used in applications with high resistance sources. Care must be taken to minimize PCB Surface Leakage. See below section on “PCB Surface Leakage” for more details.

PCB Surface Leakage

In applications where low input bias current is critical, Printed Circuit Board (PCB) surface leakage effects need to be considered. Surface leakage is caused by humidity, dust or other contamination on the board. Under low humidity conditions, a typical resistance between nearby traces is $10^{12}\Omega$. A 5V difference would cause 5pA of current to flow, which is greater than the TP202x’s input bias current at +27°C ($\pm 6\text{pA}$, typical). It is recommended to use multi-layer PCB layout and route the comparator’s -IN and +IN signal under the PCB surface.

The effective way to reduce surface leakage is to use a guard ring around sensitive pins (or traces). The guard ring is biased at the same voltage as the sensitive pin. An example of this type of layout is shown in Figure 6. for Inverting configuration application.

1. For Non-Inverting Configuration:

- a) Connect the non-inverting pin ($V_{\text{IN}+}$) to the input with a wire that does not touch the PCB surface.
- b) Connect the guard ring to the inverting input pin ($V_{\text{IN}-}$). This biases the guard ring to the same reference as the comparator.

2. For Inverting Configuration:

- a) Connect the guard ring to the non-inverting input pin ($V_{\text{IN}+}$). This biases the guard ring to the same reference voltage as the comparator (e.g., $V_{\text{DD}}/2$ or ground).
- b) Connect the inverting pin ($V_{\text{IN}-}$) to the input with a wire that does not touch the PCB surface.

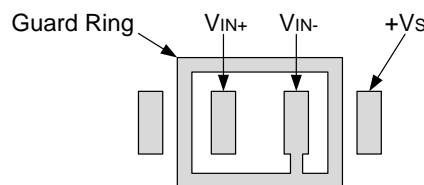


Figure 6. Example Guard Ring Layout for Inverting Comparator

Ground Sensing and Rail to Rail Output

The TP202x family implements a rail-to-rail topology that is capable of swinging to within 10mV of either rail. Since the inputs can go 300mV beyond either rail, the comparator can easily perform ‘true ground’ sensing.

The maximum output current is a function of total supply voltage. As the supply voltage of the comparator increases, the output current capability also increases. Attention must be paid to keep the junction temperature of the IC below 150°C when the output is in continuous short-circuit condition. The output of the amplifier has reverse-biased ESD diodes connected to each supply. The output should not be forced more than 0.5V beyond either supply, otherwise current will flow through these diodes.

ESD

The TP202x family has reverse-biased ESD protection diodes on all inputs and output. Input and output pins can not be biased more than 300mV beyond either supply rail.

Power Supply Layout and Bypass

The TP202x family's power supply pin should have a local bypass capacitor (i.e., 0.01 μ F to 0.1 μ F) within 2mm for good high frequency performance. It can also use a bulk capacitor (i.e., 1 μ F or larger) within 100mm to provide large, slow currents. This bulk capacitor can be shared with other analog parts.

Good ground layout improves performance by decreasing the amount of stray capacitance and noise at the comparator's inputs and outputs. To decrease stray capacitance, minimize PCB lengths and resistor leads, and place external components as close to the comparator' pins as possible.

Proper Board Layout

The TP202x family is a series of fast-switching, high-speed comparator and requires high-speed layout considerations. For best results, the following layout guidelines should be followed:

1. Use a printed circuit board (PCB) with a good, unbroken low-inductance ground plane.
2. Place a decoupling capacitor (0.1 μ F ceramic, surface-mount capacitor) as close as possible to supply.
3. On the inputs and the output, keep lead lengths as short as possible to avoid unwanted parasitic feedback around the comparator. Keep inputs away from the output.
4. Solder the device directly to the PCB rather than using a socket.
5. For slow-moving input signals, take care to prevent parasitic feedback. A small capacitor (1000 pF or less) placed between the inputs can help eliminate oscillations in the transition region. This capacitor causes some degradation to propagation delay when the impedance is low. The topside ground plane should be placed between the output and inputs.
6. The ground pin ground trace should run under the device up to the bypass capacitor, thus shielding the inputs from the outputs.

Typical Applications

IR Receiver

The TP202x is an ideal candidate to be used as an infrared receiver shown in Figure 7. The infrared photo diode creates a current relative to the amount of infrared light present. The current creates a voltage across R_D . When this voltage level cross the voltage applied by the voltage divider to the inverting input, the output transitions. Optional R_o provides additional hysteresis for noise immunity.

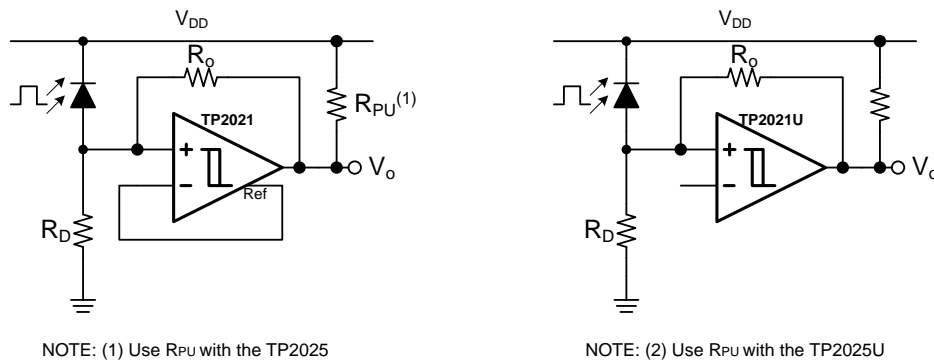


Figure 7. IR Receiver

Relaxation Oscillator

A relaxation oscillator using TP2021 is shown in Figure 8. Resistors R_1 and R_2 set the bias point at the comparator's inverting input. The period of oscillator is set by the time constant of R_4 and C_1 . The maximum frequency is limited by the large signal propagation delay of the comparator. TP2021's low propagation delay guarantees the high frequency oscillation.

If the inverted input (V_{C1}) is lower than the non-inverting input (V_A), the output is high which charges C_1 through R_4 until V_{C1} is equal to V_A . The value of V_A at this point is

$$V_{A1} = \frac{V_{DD} \cdot R_2}{R_1 \parallel R_3 + R_2}$$

At this point the comparator switches pulling down the output to the negative rail. The value of V_A at this point is

$$V_{A2} = \frac{V_{DD} \cdot R_2 \parallel R_3}{R_1 + R_2 \parallel R_3}$$

If $R_1=R_2=R_3$, then $V_{A1}=2V_{DD}/3$, and $V_{A2}=V_{DD}/3$

The capacitor C_1 now discharges through R_4 , and the voltage V_C decreases till it is equal to V_{A2} , at which point the comparator switches again, bringing it back to the initial stage. The time period is equal to twice the time it takes to discharge C_1 from $2V_{DD}/3$ to $V_{DD}/3$. Hence the frequency is:

$$\text{Freq} = \frac{1}{2 \cdot \ln 2 \cdot R_4 \cdot C_1}$$

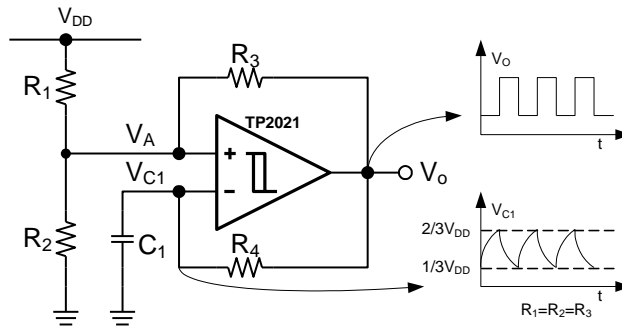
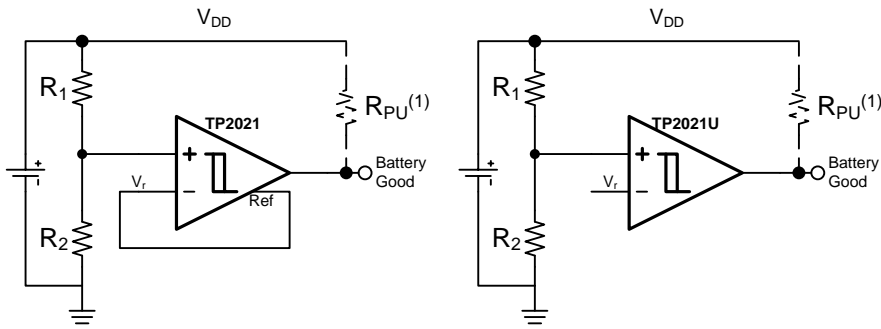


Figure 8. Relaxation Oscillator

Battery Level Detect

The low power consumption and 1.8V supply voltage of the TP202x make it an excellent candidate for battery-powered applications. Figure 9 shows the TP202x configured as a low battery level detector for a 3V battery.

$$BatteryGood = V_r \cdot (R_1 + R_2) / R_2$$



NOTE: (1) Use R_{PU} with the TP2025/5U

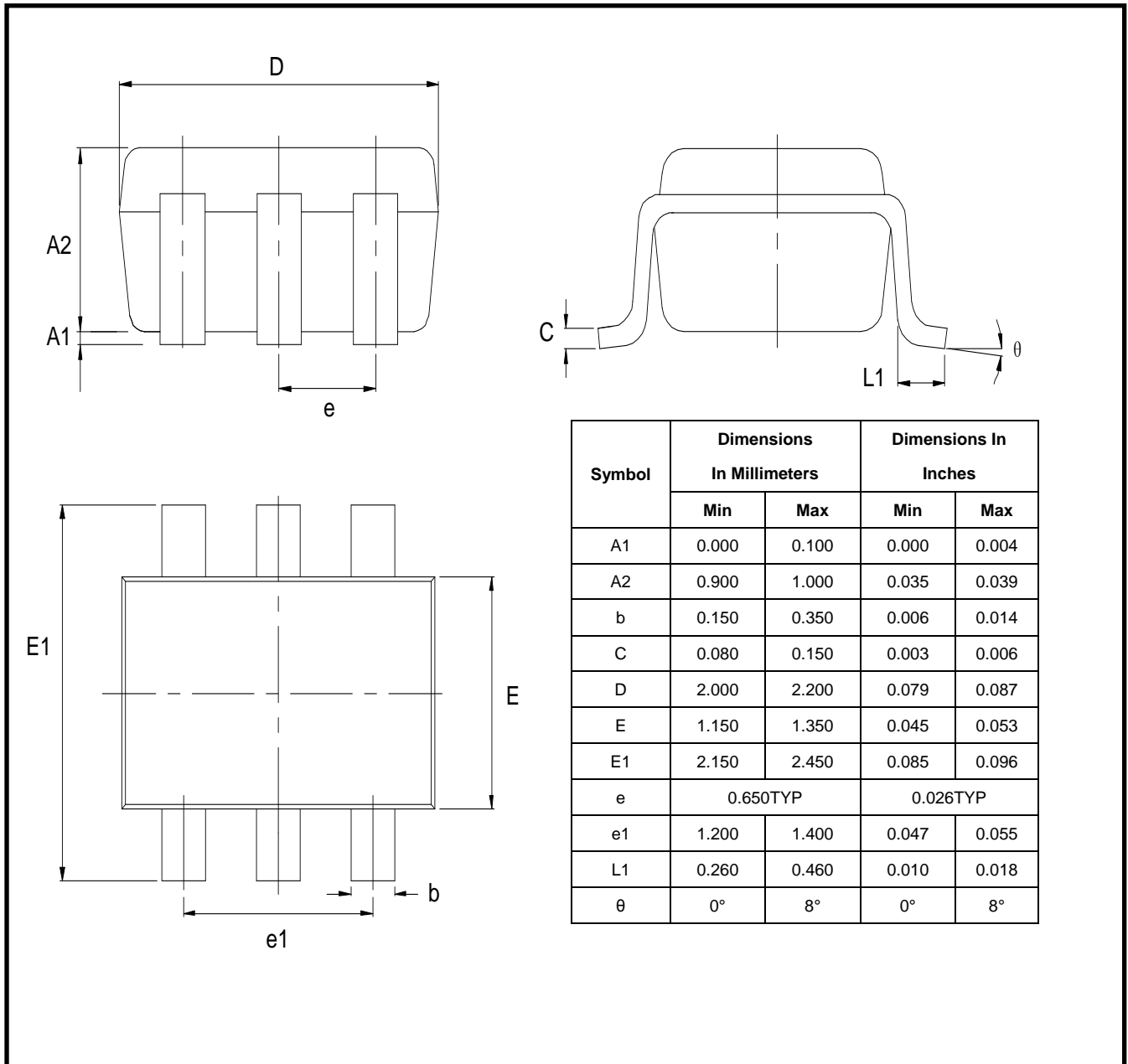
Figure 9. Battery Level Detect

TP2021/TP2025

SC70, 1.8V, Nano-power Comparators with Voltage Reference

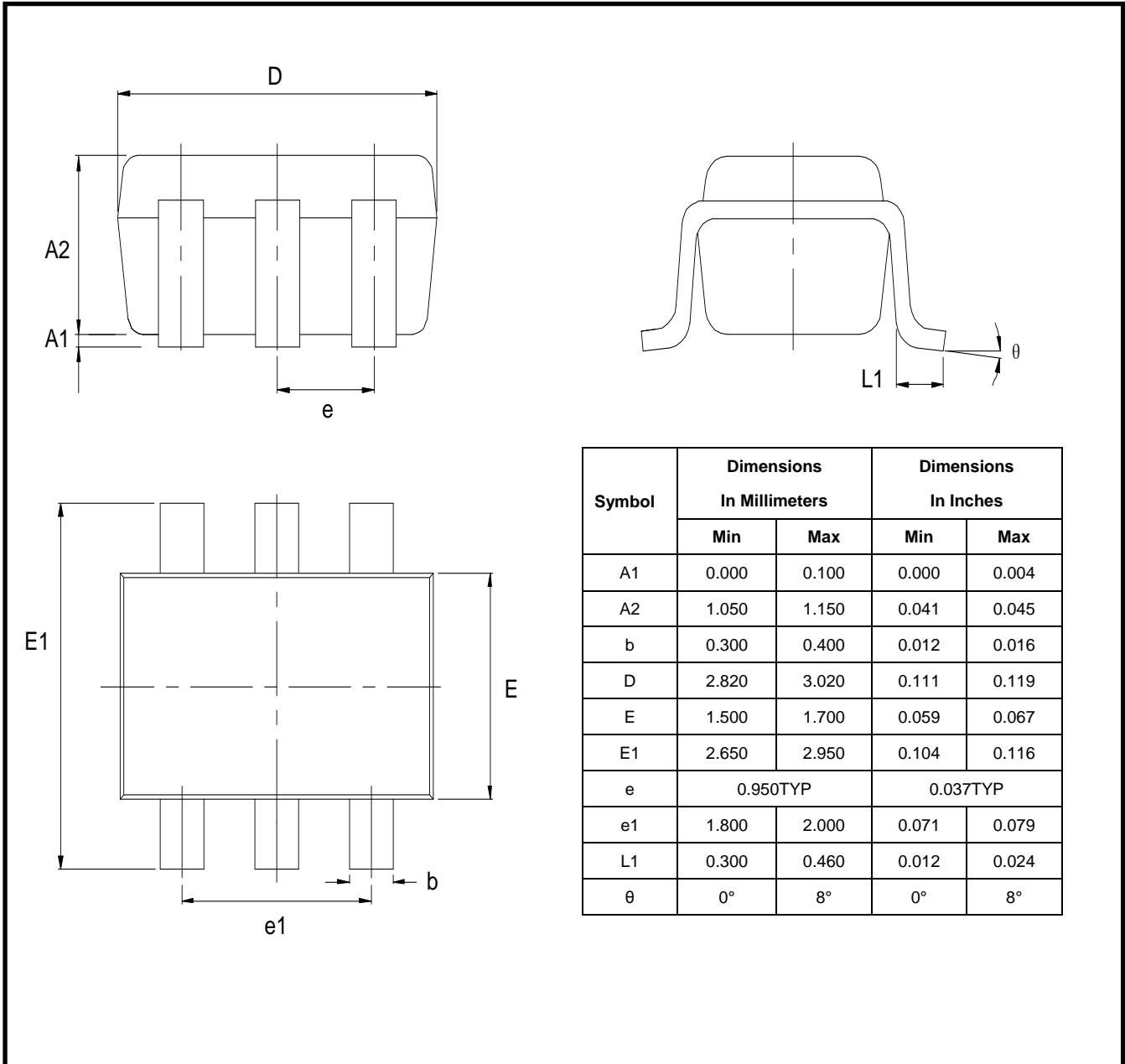
Package Outline Dimensions

SC-70-5 / SC-70-6 (SOT353 / SOT363)



Package Outline Dimensions

SOT23-5 / SOT23-6

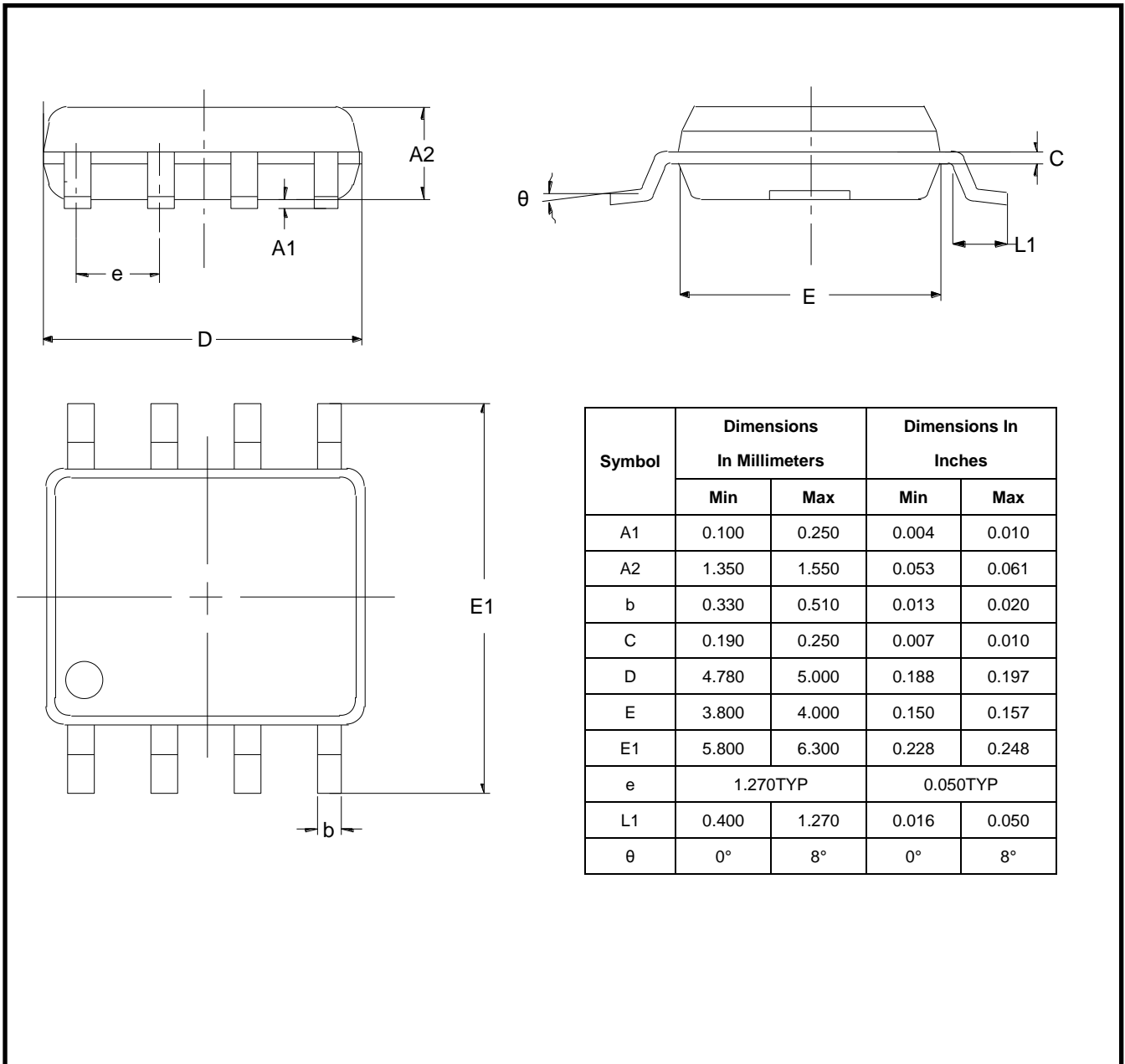


TP2021/TP2025

SC70, 1.8V, Nano-power Comparators with Voltage Reference

Package Outline Dimensions

SO-8 (SOIC-8)



X-ON Electronics

Largest Supplier of Electrical and Electronic Components

Click to view similar products for [Analog Comparators](#) category:

Click to view products by [3PEAK](#) manufacturer:

Other Similar products are found below :

[SC2903VDR2G](#) [LM2901SNG](#) [LM339SNG](#) [NTE911](#) [LM339EDR2G](#) [NTE922](#) [NCX2200GMAZ](#) [LM2903F-E2](#) [LT1720IS8#TRPBF](#)
[NJM2903M-TE1](#) [MC10E1651FNG](#) [MCP6544-EP](#) [MCP6541UT-I/LT](#) [MCP6542T-E/MS](#) [BA2903FVM-TR](#) [TS882IQ2T](#) [LM2901EDR2G](#)
[LM2903SNG](#) [5962-8765901CA](#) [TS391SN2T1G](#) [LM111JG](#) [LM139ADT](#) [LM239APT](#) [TLV1704AIPW](#) [BA8391G-TR](#) [MAX9144EUD+](#)
[MIC842NYMT-T5](#) [BU7252FVM-TR](#) [NCS2200AMUT1G](#) [MAX975EUA+T](#) [M38510/10304BGA](#) [LTC1440IMS8#PBF](#) [MIC842HYMT-TR](#)
[TS3021HIYLT](#) [AZV331KSTR-G1](#) [LM2901QS14-13](#) [LT1720IDD#PBF](#) [TLV7011DPWR](#) [TC75S58F,LF](#) [LT1394IS8#PBF](#) [S-89431ACMC-](#)
[HBVT2U](#) [LM2903AQTH-13](#) [TLC3704MD](#) [TC75S59F,LF](#) [TC75W58FU,LF](#) [S-89431BCPH-H4DTFU](#) [TL331SN4T3G](#) [TLV7021DPWR](#)
[TC75W56FU,LF](#) [LM2903QS-13](#)