

# Double Uncovered Foot Switches

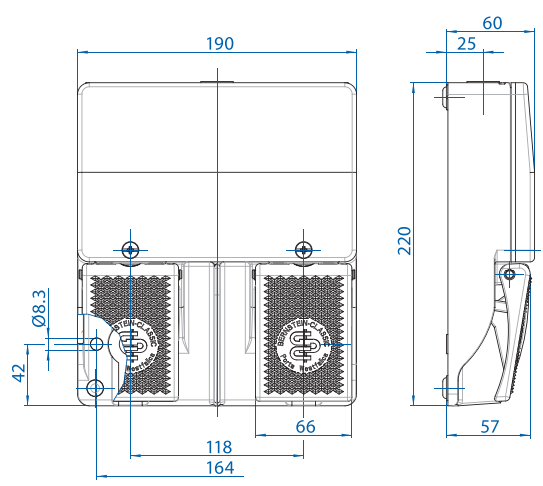


## Double Pedal without Cover

### STANDARD



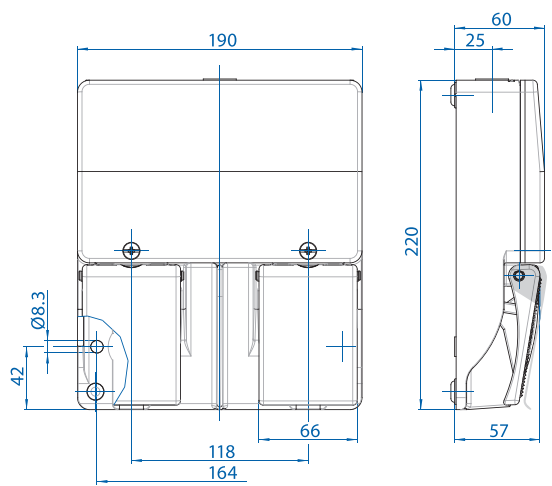
Standard OFF-ON Operation- Push pedal to change contact state. Release pedal to return to original state.



### STANDARD with Protective Hinged Cover



Standard OFF-ON Operation- Lift protective hinged cover up to activate pedal. Push pedal down to change contact state. Release pedal to return to original state. With IP67 Protection Rating (Temporary Submersion).



#### Two pedal foot switch F2

Article number	Designation	Switching contacts	
<b>Snap-action contact:</b>			
		Pedal 1 (left)	Pedal 2 (right)
606.2330.021	F2-SU1Z/SU1Z	1NC / 1NO	1NC / 1NO
606.2440.065	F2-SU2Z/SU2Z	2NC / 2NO	2NC / 2NO
<b>Slow-action contact:</b>			
		Pedal 1 (left)	Pedal 2 (right)
606.2110.013	F2-U1Z/U1Z	1NC / 1NO	1NC / 1NO
606.2220.015	F2-U2Z/U2Z	2NC / 2NO	2NC / 2NO

#### Two pedal foot switch F2

Article number	Designation	Switching contacts	
		Pedal 1 (left)	Pedal 2 (right)
606.2440.573	F2-SU2ZPS/SU2ZPS	2NC / 2NO	2NC / 2NO

## X-ON Electronics

Largest Supplier of Electrical and Electronic Components

*Click to view similar products for [Control Switches](#) category:*

*Click to view products by [Altech](#) manufacturer:*

Other Similar products are found below :

[80887-99](#) [80932-99](#) [86855-00](#) [88814-30](#) [89721-12](#) [89804-08](#) [EX0011-1](#) [SSN](#) [RL01801](#) [50051857-17](#) [50099156-001-05](#) [51.155R-15200](#)  
[50058920-26](#) [KMK-PA](#) [RAL9005](#) [M16](#) [ACCU-SC/L-3000](#) [PORTAPRO](#) [CFPS-73-48M](#) [WEL.PT-O6](#) [WEL.PT-L8](#) [WEL.PT-K7](#) [WEL.PT-](#)  
[H7](#) [WEL.PT-E9](#) [WEL.PT-D7](#) [WEL.PT-B7](#) [WEL.PT-AA9](#) [WEL.PT-AA8](#) [WEL.PT-A8](#) [WEL.LT-F](#) [WEL.LT-4](#) [WEL.LT-1LX](#) [WEL.LT-1L](#)  
[WEL.ET-BB](#) [WEL.CT5B7](#) [WEL.51361699](#) [RGFRA1903041A1T](#) [PLC-60/75](#) [PLC-30/40](#) [PLC-24/30](#) [PLC-40/55](#) [LOC-MIKSER2](#) [8522808](#)  
[CC-100N](#) [V8Y-11Z-Y](#) [V8Y-11Z-R](#) [V8Y-11Z-O](#) [V8Y-11Z-24R](#) [V8Y-11Z-24O](#) [V8Y-11Z-230B](#) [V8Y-11-230W](#) [V8Y-11-230O](#)