

# CP series

## Capacitive switches

*Distinctive features and specifications*

**UG1410A**



- ❑ Activated by the touch of a finger  
Even with surgeon gloves
- ❑ 50 million cycles
- ❑ Auto-calibration function
- ❑ Bushing diameter 16, 19 or 22 mm
- ❑ Momentary or latching

### ENVIRONMENTAL SPECIFICATIONS

- Sealing : IP68 and IP69K according to IEC 60529
- Triggered by flowing water
- Impact resistance : IK10
- Operating temperature : -20°C to +65°C
- ESD : complies with EN61000-4-2 (extended) ± 8KV (20 contacts) and ± 15KV (20 air discharges)

### MATERIALS

- Case : aluminium, anodized
- Multi-wire leads section 0,22 mm<sup>2</sup> length 300 mm
- Cable, length 300 mm, section depending on switch model
- Connector : HE14 6V compatible with AMP/TYCO281839-3

### ELECTRICAL AND GENERAL SPECIFICATIONS

- Max. current/voltage rating : 200mA 24VDC
- Supply voltage : 5VDC, 12VDC or 24VDC
- Life expectancy : 50 million cycles
- Power consumption non-illuminated : 7mA
- Power consumption illuminated : 25mA
- Operating force : 0N
- LED state for output image option :
  - 1 LED : the LED is ON when the output is closed.
  - 2 LEDs : first colour is ON when the output is open. Second colour is ON when the output is closed.
- Output type : NPN

### ADJUSTABLE SENSITIVITY

Connection to ground by means of the yellow wire increases sensitivity (momentary version only).



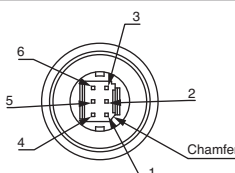
This switch should not be used in safety applications.

### Wiring diagrams

	Non-illuminated	1 LED		2 LEDs		Legend
		Output indicator	Independent	Output indicator	Independent	
OFF-ON						R red +V Black black GND W white output Y yellow sensitivity G green -LED 1 Blue blue -LED 2
OFF-MOM						Wire colours may vary. Always refer to the label on the switch.

### Wiring for switch connector

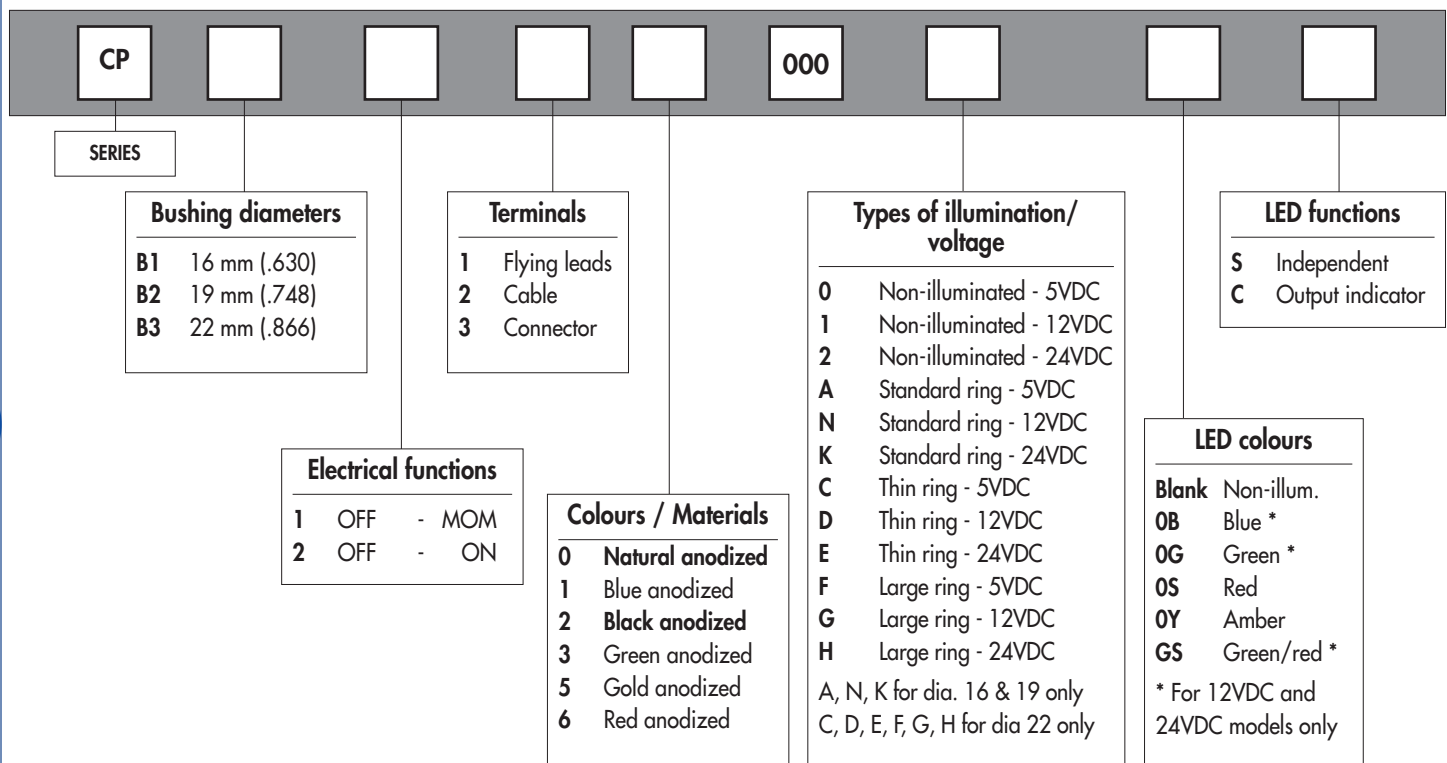
- Pin 1 : GND
- Pin 2 : output
- Pin 3 : +V
- Pin 4 : LED 2
- Pin 5 : sensitivity
- Pin 6 : LED 1



# CP series

## Capacitive switches

### Overview



B2

#### On request

- Duration of activation 15 minutes for latching models (standard duration is infinite)
- Different lengths, gauges or colours for flying lead terminals
- Different cable lengths

**Dimensions** : first dimensions are in mm while inches are shown as bracketed numbers.



NOTICE : please note that not all combinations of above numbers are available. Refer to the following pages for further information.



**Packaging unit** : 20 pieces

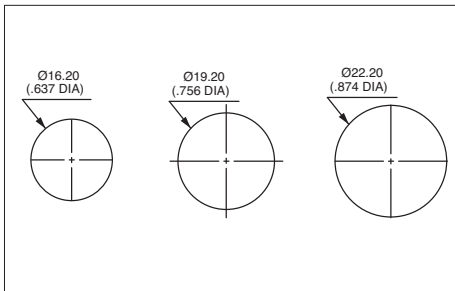
The company reserves the right to change specifications without notice.



# CP series

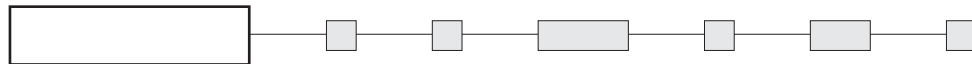
## Capacitive switches

*Illuminated or non-illuminated*



Shown with flying lead terminals

**MODEL  
STRUCTURE**



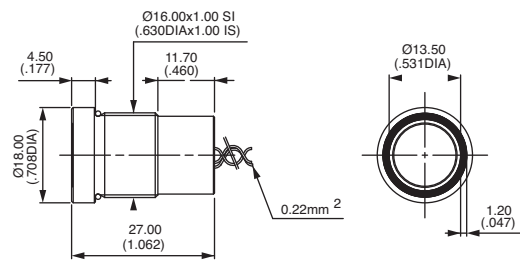
**B2**

### Bushing Ø 16 mm (.630) - standard ring



CPB1110000NGSC

Momentary CPB11	OFF	-	MOM
Latching CPB12	OFF	-	ON

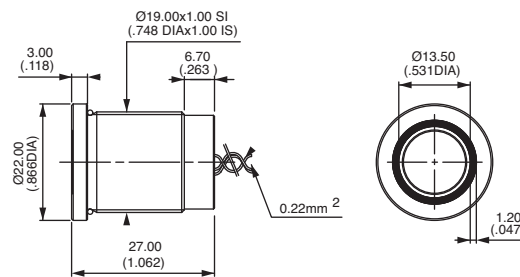


### Bushing Ø 19 mm (.748) - standard ring



CPB2110000NGSC

Momentary CPB21	OFF	-	MOM
Latching CPB22	OFF	-	ON

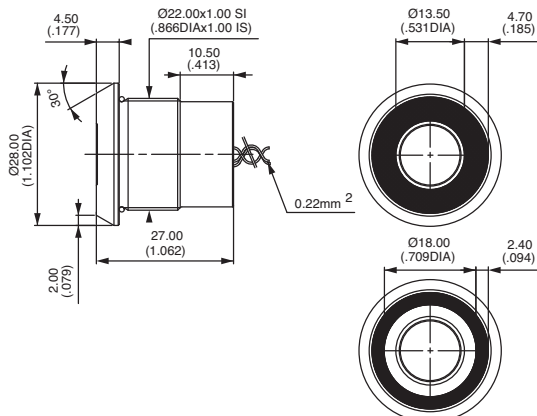


### Bushing Ø 22 mm (.866) - large or thin ring



CPB3210000GGSC

Momentary CPB31	OFF	-	MOM
Latching CPB32	OFF	-	ON

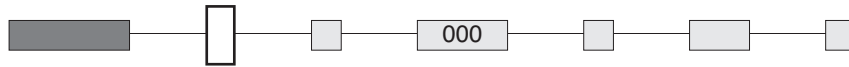


# CP series

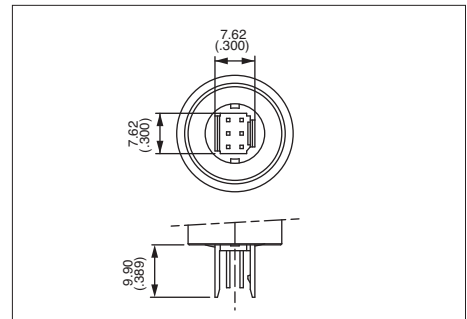
## Capacitive switches

### Options

#### TERMINALS

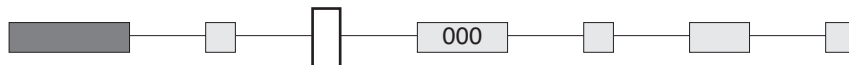


- 1 Flying leads
- 2 Cable
- 3 Connector HE14 6V (see opposite)



B2

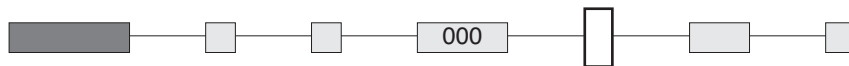
#### CASE COLOURS / MATERIALS



Code	Colour
0	Natural anodized aluminium
1	Blue anodized aluminium
2	Black anodised aluminium

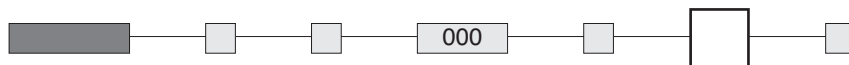
Code	Colour
3	Green anodized aluminium
5	Gold anodized aluminium
6	Red anodised aluminium

#### TYPES OF ILLUMINATION



	5VDC	12VDC	24VDC
Non-illuminated	0	1	2
Standard ring (Ø 16 & 19 only)	A	N	K
Thin ring (Ø 22 only)	C	D	E
Large ring (Ø 22 only)	F	G	H

#### LED COLOURS



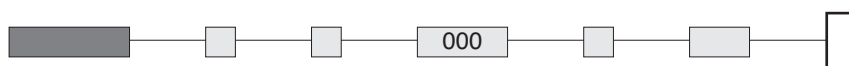
**Blank** Non-illuminated

**OB** : blue - **OG** : green - **OS** : red - **OY** : amber - **GS** : green/red



Blue, green and green/red LEDs available on 12VDC and 24VDC models only.

#### LED FUNCTIONS



- S Independent
- C Output indicator

## X-ON Electronics

Largest Supplier of Electrical and Electronic Components

*Click to view similar products for [Pushbutton Switches](#) category:*

*Click to view products by [Apem](#) manufacturer:*

Other Similar products are found below :

[LW1L-M1C10V-A](#) [LW2L-A1C20M-GD](#) [LW2L-M1C20M-A](#) [60324L](#) [M7E-HRN2](#) [67021K512](#) [67081K512X](#) [701PB580](#) [719-5504-000](#)  
[MDPSSGLFS](#) [810KSV30B](#) [FLT 2U EE 01A](#) [MML21KA3ABK](#) [MML23KA3AC05K-001](#) [MML23KW3AA01W](#) [8418K2](#) [8646AB6X718UL](#)  
[8646ABUL](#) [FSDWH](#) [9001KXRK](#) [9001T8BK](#) [9533CD4+U574+U4922](#) [1203MRA](#) [A22EM01S](#) [A595](#) [1202A6](#) [12037A2ULCSA](#) [1203A2UL](#)  
[ABD122N-B](#) [1211390004](#) [ABN111-Y](#) [ABN400-R](#) [1211500044](#) [1211580012](#) [1212MRA](#) [1232A6NF](#) [RA3CSH6A](#) [1241.1183.7047](#)  
[1241.2511](#) [1241.3428](#) [1223A2ULCSA](#) [1223MRA](#) [1232AX2119](#) [1241.1183.8000](#) [1241.1183.8029](#) [1241.2506](#) [1241.2606](#) [12MA6](#)  
[1301940184](#) [RELBARF6X10\(PLASTIC\)](#)