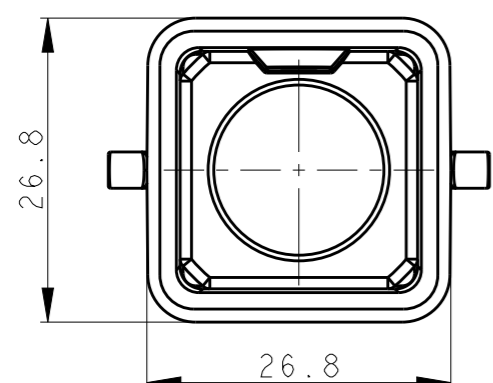
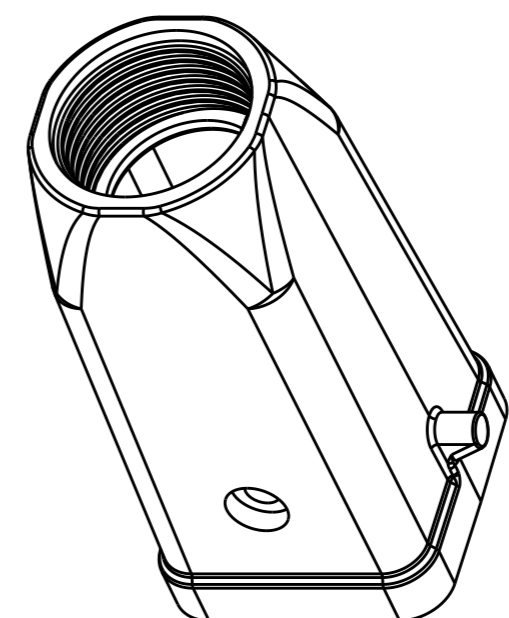
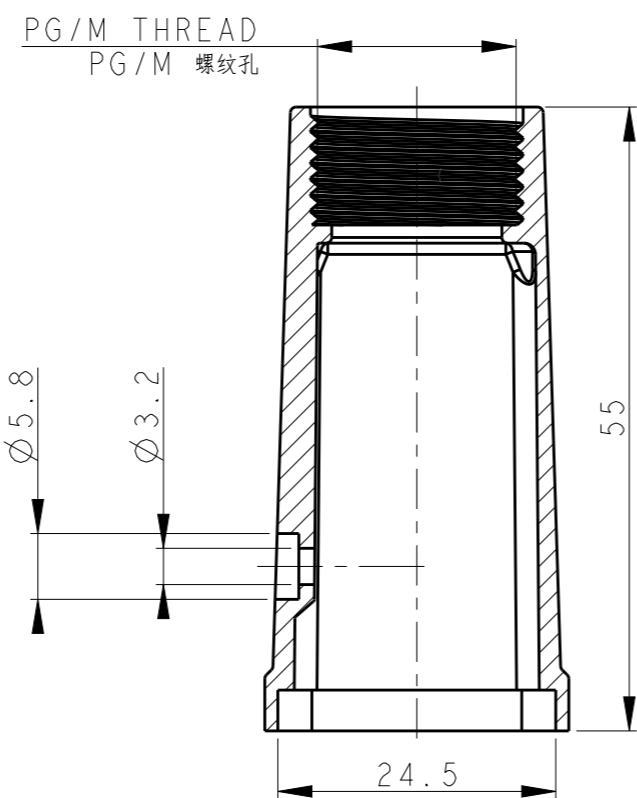
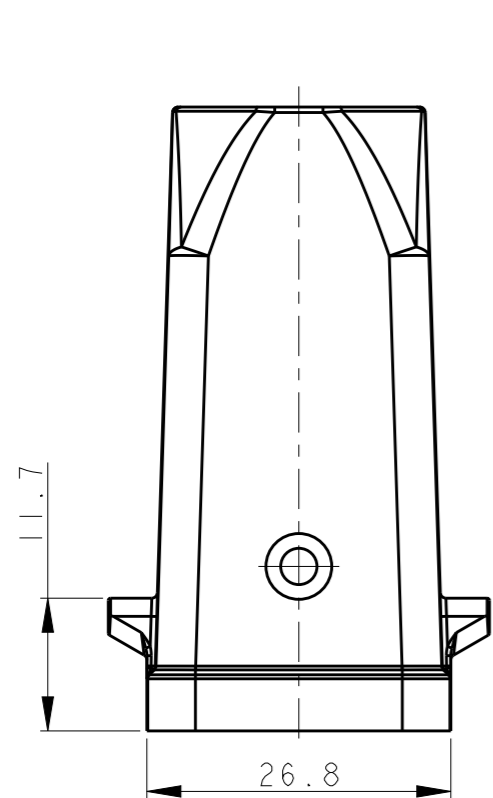


THIS DRAWING IS UNPUBLISHED. RELEASED FOR PUBLICATION 20
 © COPYRIGHT 20 BY - ALL RIGHTS RESERVED.

REVISIONS

P	LTR	DESCRIPTION	DATE	DWN	APVD
	A	INITIAL RELEASE	22APR2015	DL	CW
	B	ECR-18-016778	27OCT2018	GY	CW



NOTES:
 1. TECHNICAL CHARACTERISTICS:
 BODY MATERIAL: PC
 OPERATION TEMPERATURE: -40-+125°C
 DEGREE OF PROTECTION: IP65 (MATED)

注释:
 1. 技术参数:
 主体材料: PC
 工作温度: -40-+125°C
 防护等级: IP65(配合)

T1329031111-000	H3A-TG-PG11	H3A PLASTIC HOOD, TOP ENTRY PG11, 2 EAR, GREY H3A塑料上壳, 顶出PG11, 2耳, 灰色	PG11
T1329031120-000	H3A-TG-M20	H3A PLASTIC HOOD, TOP ENTRY M20, 2 EAR, GREY H3A塑料上壳, 顶出M20, 2耳, 灰色	M20
PART NUMBER 零件料号	PART DESCRIPTION 零件描述		PG/M THREAD PG/M 螺纹孔

THIS DRAWING IS A CONTROLLED DOCUMENT.

DIMENSIONS:	TOLERANCES UNLESS OTHERWISE SPECIFIED:
mm	
	0 PLC ±-
	1 PLC ±-
	2 PLC ±-
	3 PLC ±-
	4 PLC ±-
	ANGLES ±-
MATERIAL	FINISH
-	-
-	-

DWN	22APR2015
DAVID LI	
CHK	22APR2015
CHRIS WANG	
APVD	22APR2015
XU XIANG	
PRODUCT SPEC	108-137134
APPLICATION SPEC	114-137134
WEIGHT	-
CUSTOMER DRAWING	

TE Connectivity		NAME		RESTRICTED TO
		H3A-TG-PG/M		
SIZE	CAGE CODE	DRAWING NO	RESTRICTED TO	
A3	-	©-T13290311XXX00	-	
SCALE		SHEET	OF	REV
1:1		1	1	B

X-ON Electronics

Largest Supplier of Electrical and Electronic Components

Click to view similar products for [Heavy Duty Power Connectors](#) category:

Click to view products by [TE Connectivity](#) manufacturer:

Other Similar products are found below :

[1424439](#) [1424438](#) [09330062652](#) [2-8675P1](#) [605601-1](#) [6340G1](#) [6341G1](#) [6360G1](#) [6373G1](#) [6374g2](#) [6396G1](#) [647757-1](#) [66394-4](#) [6643411-1](#)
[6646058-2](#) [6646137-1](#) [6646138-1](#) [6646348-1](#) [6646479-1](#) [6646608-1](#) [6646786-1](#) [6646940-1](#) [6651091-1](#) [6651525-1](#) [6651529-1](#) [6651778-1](#)
[6651788-1](#) [696465-1](#) [696475-1](#) [73000005059](#) [73000005349](#) [73000005642](#) [73080255059](#) [73080965046](#) [765-15-0080A](#) [765-16-0080B](#)
[789.700-44](#) [789.700-54](#) [80-1010](#) [80-9](#) [827381-1](#) [829992-1](#) [902-77-02113](#) [PL00U-301-10D10](#) [PM103MOOLOO](#) [PM16S1620S32-50](#)
[PM212MOOLOO](#) [PM309FOOLOO](#) [PM324FOOLCH](#) [PMHPAF11S03](#)