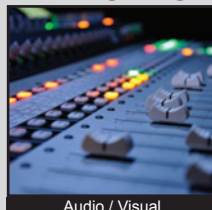


PV6 SERIES ANTI-VANDAL SWITCH

ANTI-VANDAL SWITCHES
DETECTOR SWITCHES
DIP SWITCHES
KEYLOCK SWITCHES
NAVIGATION SWITCHES
PUSHBUTTON SWITCHES
ROCKER SWITCHES
ROTARY SWITCHES
SLIDE SWITCHES
SNAP ACTION SWITCHES
TACTILE SWITCHES
TOGGLE SWITCHES
CAP OPTIONS



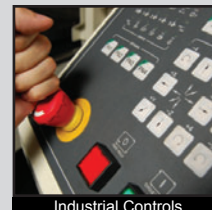
APPLICATIONS / MARKETS



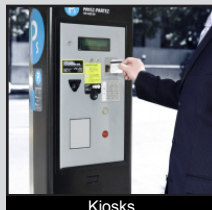
Audio / Visual



Security Devices



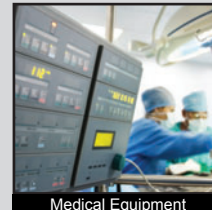
Industrial Controls



Kiosks



Electrical Housewares



Medical Equipment

RoHS

SPECIFICATIONS

Electrical Rating: 2A, 48VDC
Mechanical Life: 1,000,000 Cycles
Electrical Life: 50,000 Cycles
Contact Resistance: 50mΩ Max.
Insulation Resistance: 1000 MΩ Min.
Dielectric Strength: 2,000VAC
Operating/Storage Temperature: -20°C to 55°C
Travel: 1.50mm
Moisture Protection: IP65
Contact Arrangement: SPST Off-(On)
Actuation Force: 400 gf
Panel Thickness: 1-10mm
Mounting Nut Torque: 5-14Nm

FEATURES & BENEFITS

- 16mm diameter panel cutout
- RGB LED option
- Dot or ring illumination options available
- Multiple actuator options
- Pilot indicator option
- IP65 rated, Off-(On), SPST

PART NUMBER CONFIGURATOR

| Series | Actuator Options | Terminal Options | Function Options | Rating Options | Body Finish Options | Actuator Finish Options | Contact Material Options | Lens Style Options | LED-Color Options | Illumination Voltage Options |
|----------------------------------|--|--|--|--|--|--|--|--|--|---|
| <input type="text" value="PV6"/> | <input type="text" value="F"/> F - Flat <input type="text" value="H"/> H - High | <input type="text" value="2"/> 2 - Solder | <input type="text" value="4"/> 4 - Off - (On)* <input type="text" value="P"/> P - Pilot Indicator** | <input type="text" value="0"/> 0 - 2A, 48VDC <input type="text" value="X"/> X - Pilot Indicator | <input type="text" value="N"/> N - Nickel Plated <input type="text" value="S"/> S - Stainless Steel <input type="text" value="1"/> 1 - Black Anodized | <input type="text" value="N"/> N - Nickel Plated <input type="text" value="S"/> S - Stainless Steel <input type="text" value="1"/> 1 - Black Anodized | <input type="text" value="NONE"/> NONE - Silver <input type="text" value="G"/> G - Gold | <input type="text" value="NONE"/> NONE - Non-Illuminated <input type="text" value="2"/> 2 - Dot Illumination <input type="text" value="3"/> 3 - Ring Illumination | <input type="text" value="NONE"/> NONE - Non-Illuminated <input type="text" value="0"/> 0 - White <input type="text" value="1"/> 1 - Red <input type="text" value="2"/> 2 - Orange <input type="text" value="3"/> 3 - Green <input type="text" value="4"/> 4 - Blue <input type="text" value="5"/> 5 - Yellow <input type="text" value="F"/> F - Red/Orange <input type="text" value="G"/> G - Red/Green <input type="text" value="H"/> H - Red/Blue <input type="text" value="J"/> J - Red/Yellow <input type="text" value="K"/> K - Orange/Green <input type="text" value="L"/> L - Orange/Blue <input type="text" value="M"/> M - Orange/Yellow <input type="text" value="R"/> R - RGB | <input type="text" value="1"/> NONE - Non-Illuminated 1 - Base Voltage† |

NOTES:
 *(On) denotes function is momentary
 **Pilot indicator does not have internal switch contacts, only illumination
 †Base voltage for LED colors red, yellow, and orange is 1.8V @ 20mA
 ‡Base voltage for LED colors blue, green and white is 2.8V @ 20mA

Specifications subject to change without notice



E-SWITCH®

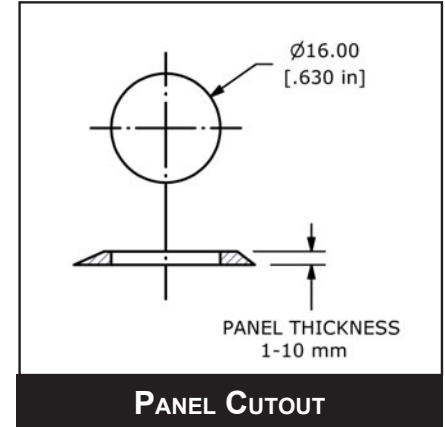
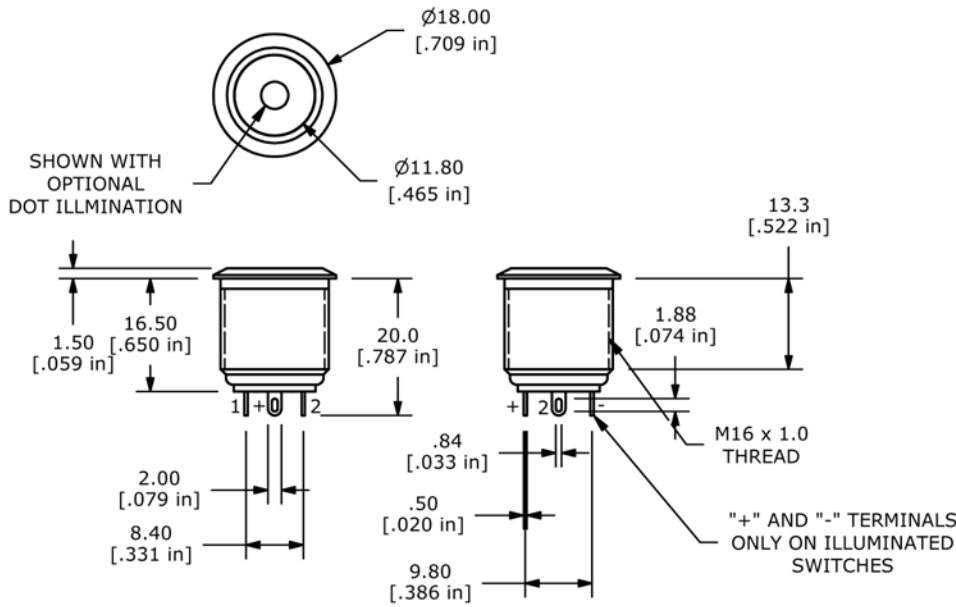
www.e-switch.com

800.867.2717

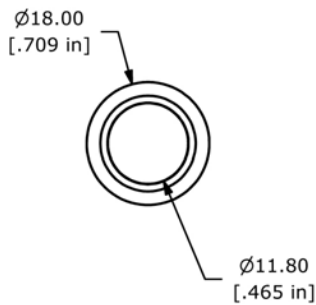
2

PV6 SERIES ANTI-VANDAL SWITCH

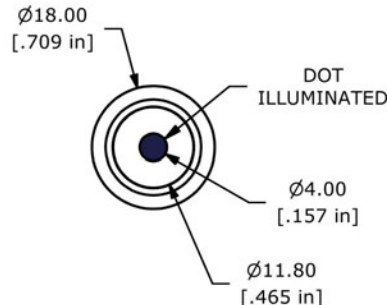
BODY DIMENSIONS



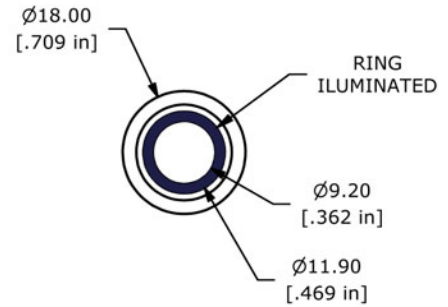
ILLUMINATION OPTIONS



NON-ILLUMINATED

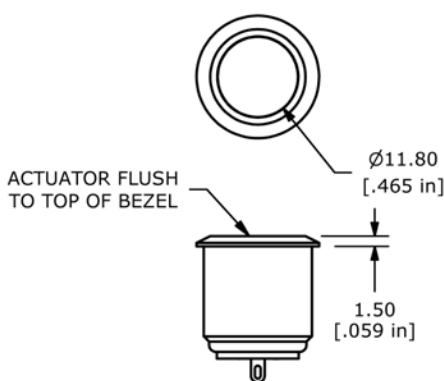


DOT ILLUMINATED

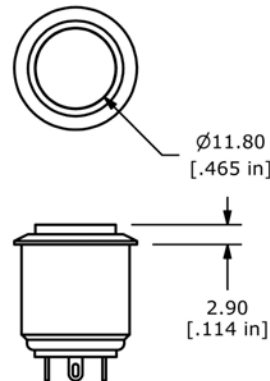


RING ILLUMINATED

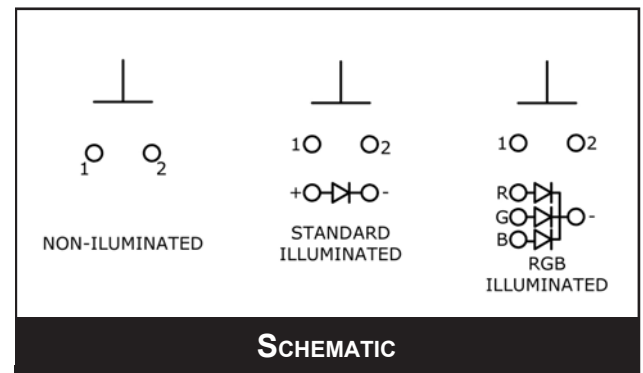
ACTUATOR OPTIONS



FLAT ACTUATOR



HIGH ACTUATOR



ANTI-VANDAL SWITCHES
DETECTOR SWITCHES
DIP SWITCHES
KEYLOCK SWITCHES
NAVIGATION SWITCHES
PUSHBUTTON SWITCHES
ROCKER SWITCHES
ROTARY SWITCHES
SLIDE SWITCHES
SNAP ACTION SWITCHES
TACTILE SWITCHES
TOGGLE SWITCHES
CAP OPTIONS

X-ON Electronics

Largest Supplier of Electrical and Electronic Components

Click to view similar products for [Pushbutton Switches](#) category:

Click to view products by [E-Switch](#) manufacturer:

Other Similar products are found below :

[LW1L-M1C10V-A](#) [LW2L-A1C20M-GD](#) [LW2L-M1C20M-A](#) [60324L](#) [M7E-HRN2](#) [67021K512](#) [67081K512X](#) [701PB580](#) [719-5504-000](#)
[MDPSSGLFS](#) [810KSV30B](#) [FLT 2U EE 01A](#) [MML21KA3ABK](#) [MML23KA3AC05K-001](#) [MML23KW3AA01W](#) [8418K2](#) [8646AB6X718UL](#)
[8646ABUL](#) [FSDWH](#) [9001KXRK](#) [9001T8BK](#) [9533CD4+U574+U4922](#) [1203MRA](#) [A22EM01S](#) [A595](#) [1202A6](#) [12037A2ULCSA](#) [1203A2UL](#)
[ABD122N-B](#) [1211390004](#) [ABN111-Y](#) [ABN400-R](#) [1211500044](#) [1211580012](#) [1212MRA](#) [1232A6NF](#) [RA3CSH6A](#) [1241.1183.7047](#)
[1241.2511](#) [1241.3428](#) [1223A2ULCSA](#) [1223MRA](#) [1232AX2119](#) [1241.1183.8000](#) [1241.1183.8029](#) [1241.2506](#) [1241.2606](#) [12MA6](#)
[1301940184](#) [RELBARF6X10\(PLASTIC\)](#)