

# Low Profile Compact Circuit Protector (CCPLP)

UL Class G, CC, midget and IEC 10x38mm aM/gG fused disconnect switches



## Contents

Description	Page	Description	Page
Catalog symbol	2	Features	3
Description	2	Available Bussmann series fuses	3
Specifications	2	Catalog number tables	4
Ratings . . . . .	2	Class G . . . . .	4
Number of poles . . . . .	2	Class CC . . . . .	4
Agency information . . . . .	2	UL midget . . . . .	4
Terminals and conductors . . . . .	2	IEC 10x38 . . . . .	4
Terminal screw torque . . . . .	2	<b>Dimensions</b>	<b>5</b>
Mounting . . . . .	2	<b>Panel mounting layout</b>	<b>5</b>
Open fuse indication . . . . .	2		
Ambient storage and operating temperature . . . . .	2		
Flammability rating . . . . .	2		
Lockout/tagout provisions . . . . .	2		
Circuit labeling provision . . . . .	2		
Carton quantity . . . . .	2		

**Catalog symbol:**

- CCPLP-(poles)-(amps)-(terminal)

**Description:**

The revolutionary Bussmann® series Low Profile Compact Circuit Protector (CCPLP) fused disconnect switch is available in 1-, 2- and 3-pole versions for UL® Class CC (1/10-30A), Class G (20A), 13/32"x1-1/2" midget UL (1/10-30A) and IEC 10x38 aM/gG (0.16-32A) fuses.

The CCPLP has the smallest footprint of any UL 98 Listed fused disconnect switch along with up to a 200kA SCCR to help improve equipment SCCR.

Class CC and G versions are easily selectively coordinated with the upstream Bussmann series CUBEFuse™ using published fuse ampacity ratio tables.

Unique panel mounting permits easy integration into many panel designs and provides a high SCCR alternative to low profile circuit breakers on the market.

**Specifications:**

**Ratings**

- Frequency
  - 50/60Hz
- Impulse voltage
  - 8kV
- Volts
  - 600Vac (Class CC up to 30A, Class G 20A)
  - 550Vac (10x38 IEC Class aM 0.16-16A)
  - 500Vac (10x38 IEC Class gG 0.5-25A)
  - 400Vac (10x38 IEC Class aM 20-32A, gG 32A)
  - 240Vac (13/32" x 1-1/2" midget UL 30A)
- Amps
  - Up to 30A (UL)
  - Up to 32A (IEC)
- SCCR
  - 200kA (Class CC)
  - 120kA (10x38 IEC Class gG and aM)
  - 100kA (Class G)
  - 10kA (13/32" x 1-1/2" midget UL)

**Poles**

- 1-, 2- and 3-pole factory configured
- 2- and 3-pole versions feature ganged switches and phase barriers.

**Agency information**

- Finger-safe IP20 from panel front
- CE compliant
- RoHS compliant
- For Class G fuse versions
  - UL 98 Listed, File E302370, Guide WHTY
  - IEC® 60947-3 AC-23A
- For Class CC fuse versions
  - UL 98 Listed, File E302370, Guide WHTY
  - cULus to CSA Standard 22.2 No. 4-04, File E302370, Guide WHTY7
  - IEC 60947-3 AC-23A
- For UL midget and 10x38 IEC fuse versions
  - UL 508 Listed, File E320230, Guide NRNT
  - cULus Listed to CSA 22.2 No. 14-05, File E320230, Guide NRNT7
  - IEC 60947-3 AC-23A

**Terminals and conductors 75°C/90°C Cu**

- Screw terminal - #10-32 phil-slot screw with external tooth lock washer — use with properly rated/UL Listed ring or fork terminal
- Pressure plate terminal - #10-32 phil-slot screw — single 22-6AWG solid or stranded

**Terminal screw torque**

- 20 Lb-In (2.2 N•m)

**Mounting**

- Front panel mounting with customer supplied M3 screws
- Mounting screw torque 4-5 Lb-In (0.4-0.5 N•m)

**Open fuse indication\***

- Local open fuse indication provided by a orange neon lamp on each pole, minimum voltage 90Vac

\* Open fuse indication requires an energized, closed circuit with an open fuse in the CCPLP and the switch in the ON position.

**Ambient storage and operating temperature**

- -20°C to 90°C, 85% relative humidity non-condensing

**Flammability rating**

- UL 94 V2

**Lockout/tagout provisions**

- Brady pin-out device, P/N 90844

**Circuit labeling provisions**

- Accepts up to two universal marker labels (P/N TM26CB)

**Carton quantity**

- 12 poles (1-pole: 12 units, 2-pole: 6 units, 3-pole: 4 units)

**Minimum enclosure size**

- 6"x6"x4" per UL 98 Listing

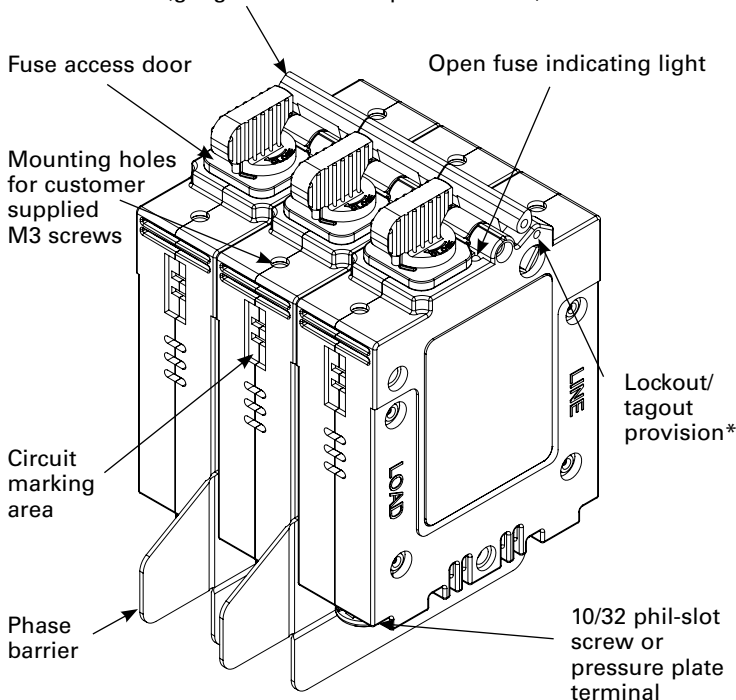
**Features:**

- Suitable for global installations accepting UL Class G and CC, midget or IEC gG and aM fuses
- Full voltage rated up to 600Vac
- High Short-Circuit Current Ratings (SCCR) up to 200kA (UL) and 120kA (IEC)
- Mounting and panel layout dimensions match common low-profile circuit breakers to provide an easy, alternative fused circuit protection solution.
- Disconnect rated to provide means for load isolation
- Extremely compact design at 19mm wide per pole
- Class CC version is suitable for branch circuit disconnect and branch circuit protection
- IEC 10x38 version is suitable for branch circuit disconnect and branch circuit protection
- Local open fuse indication on each pole standard
- Finger-safe IP20 from panel front for added safety
- Built-in switch handle / fuse access door interlock prohibits removing the fuse under load
- Lockout/tagout provisions made by using Brady pin-out device P/N 90844
- Circuit labeling provisions for easy identification using TM26CB labels (order separately)

**Available Bussmann series fuses:**

Fuse Class	Type/description	Volts	Data sheet No.
CC	LP-CC time-delay, current-limiting	600Vac	1023
CC	FNQ-R time-delay	600Vac	1014
CC	KTK-R fast-acting	600Vac	1015
G	SC time-delay (20A)	600Vac	1024
M	FNM time-delay	250Vac	2028
M	FNQ time-delay	500Vac	1012
M	KTK fast-acting	600Vac	1011
M	BAF fast-acting	250Vac	2011
M	KLM fast-acting	600Vac	2020
gG	C10G (0.5-25A)	500Vac	720115
gG	C10G (32A)	400Vac	720115
aM	C10M (0.16-16A)	550Vac	720115
aM	C10M (20-25A)	400Vac	720115

Switch handle (ganged on 2- and 3-pole versions)



\* Use Brady pin-out device, P/N 90844



**Catalog numbers:**

**Class G fuses**

Catalog number		Poles	Volts AC	Amps	SCCR (kA)
Screw terminal	Pressure plate terminal				
CCPLP-1-20G-S	CCPLP-1-20G-P	1	600	20	100
CCPLP-2-20G-S	CCPLP-2-20G-P	2	600	20	100
CCPLP-3-20G-S	CCPLP-3-20G-P	3	600	20	100

Agency information: UL 98 Listed, File E302370, Guide WHTY, IEC 60947-3 AC-23A, CE, RoHS compliant.

**Class CC fuses**

Catalog number		Poles	Volts AC	Max amps	SCCR (kA)	Horsepower rating (Vac)			
Screw terminal	Pressure plate terminal					120	240	480	600
CCPLP-1-30CC-S	CCPLP-1-30CC-P	1	600	30	200	0.5	—	—	—
CCPLP-2-30CC-S	CCPLP-2-30CC-P	2	600	30	200	—	2	—	—
CCPLP-3-30CC-S	CCPLP-3-30CC-P	3	600	30	200	—	3	4	7.5

Agency information: UL 98 Listed, File E302370, Guide WHTY, cULus to CSA Standard 22.2 No. 4-04, File E302370, Guide WHTY7, IEC 60947-3 AC-23A, CE, RoHS compliant.

**13/32"x1-1/2" UL midget fuses**

Catalog number		Poles	Volts AC	Max amps	SCCR (kA)
Screw terminal	Pressure plate terminal				
CCPLP-1-30M-S	CCPLP-1-30M-P	1	240	30	10
CCPLP-2-30M-S	CCPLP-2-30M-P	2	240	30	10
CCPLP-3-30M-S	CCPLP-3-30M-P	3	240	30	10

Agency information: UL 508 Listed, File E320230, Guide NRNT, cULus Listed to CSA 22.2 No. 14-05, File E320230, Guide NRNT7, IEC 60947-3 AC-23A, CE, RoHS compliant.

**10x38 IEC Class gG and aM fuses**

Catalog number		Poles	Fuse class	Volts AC (amp range)	SCCR (kA)
Screw terminal	Pressure plate terminal				
CCPLP-1-30M-S	CCPLP-1-30M-P	1	gG	500 (0-25) / 400 (32)	120
			aM	550 (0-16) / 400 (20-32)	120
CCPLP-2-30M-S	CCPLP-2-30M-P	2	gG	500 (0-25) / 400 (32)	120
			aM	550 (0-16) / 400 (20-32)	120
CCPLP-3-30M-S	CCPLP-3-30M-P	3	gG	500 (0-25) / 400 (32)	120
			aM	550 (0-16) / 400 (20-32)	120

Agency information: UL 508 Listed, File E320230, Guide NRNT, cULus Listed to CSA 22.2 No. 14-05, File E320230, Guide NRNT7, IEC 60947-3 AC-23A, CE, RoHS compliant.

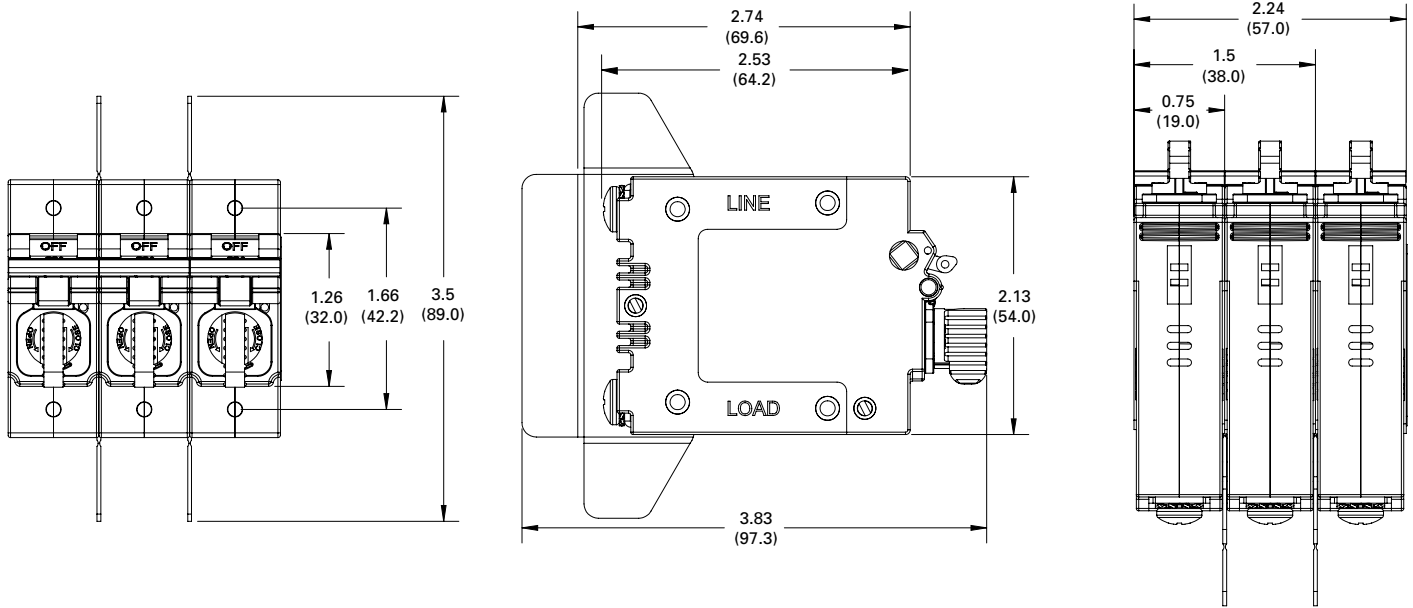


The CCPLP has the smallest footprint of any UL 98 Listed fused disconnect switch along with up to a 200kA SCCR to help improve equipment SCCR.

Built-in switch handle / fuse access door interlock prohibits removing the fuse under load.

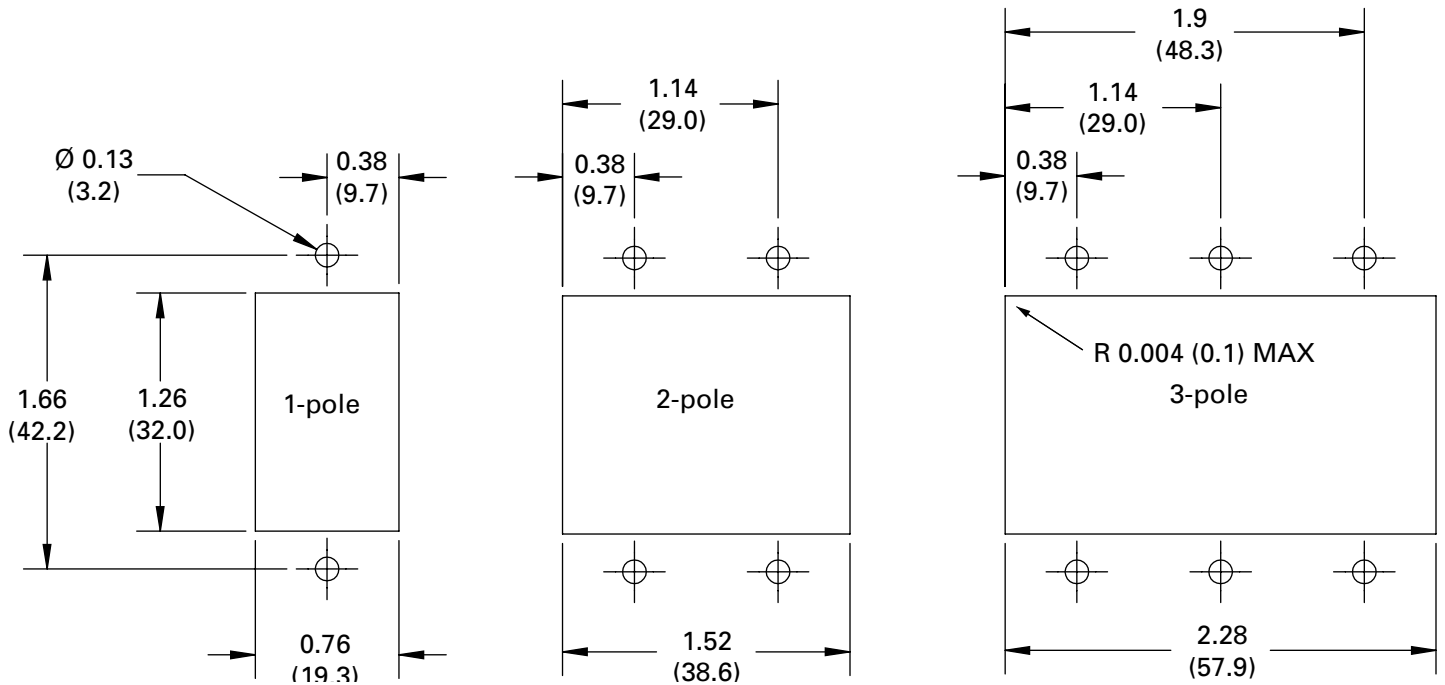
**Dimensions (reference) – in (mm):**

All catalog numbers



**Panel mounting layout (reference) – in (mm):**

1-, 2- and 3-poles, all catalog numbers



The only controlled copy of this data sheet is the electronic read-only version located on the Eaton network drive. All other copies of this document are by definition uncontrolled. This bulletin is intended to clearly present comprehensive product data and provide technical information that will help the end user with design applications. Eaton reserves the right, without notice, to change design or construction of any products and to discontinue or limit distribution of any products. Eaton also reserves the right to change or update, without notice, any technical information contained in this bulletin. Once a product has been selected, it should be tested by the user in all possible applications.

**Eaton**  
1000 Eaton Boulevard  
Cleveland, OH 44122  
United States  
Eaton.com

Bussmann Division  
114 Old State Road  
Ellisville, MO 63021  
United States  
Eaton.com/bussmannseries

© 2015 Eaton  
All Rights Reserved  
Printed in USA  
Publication No. 10372 – BU-SB15166  
December 2015

Eaton, Bussmann and CUBEFuse are valuable trademarks of Eaton in the US and other countries. You are not permitted to use the Eaton trademarks without prior written consent of Eaton.

IEC is a registered trademark of the International Electrotechnical Commission. UL is a registered trademark of the Underwriters Laboratories, Inc.

For Eaton's Bussmann series product information, call **1-855-287-7626** or visit: **Eaton.com/bussmannseries**

## X-ON Electronics

Largest Supplier of Electrical and Electronic Components

*Click to view similar products for [Circuit Breakers](#) category:*

*Click to view products by [Eaton](#) manufacturer:*

Other Similar products are found below :

[M39019/04-249S](#) [M39019/04-313S](#) [M55629/1-001](#) [M55629/1-016](#) [M55629/1-018](#) [M55629/1-021](#) [M55629/1-033](#) [M55629/1-036](#) [M55629/1-046](#) [M55629/1-048](#) [M55629/1-058](#) [M55629/1-060](#) [M55629/1-067](#) [M55629/1-070](#) [M55629/1-079](#) [M55629/1-084](#) [M55629/1-085](#) [M55629/1-101](#) [M55629/1-108](#) [M55629/1-109](#) [M55629/11-102](#) [M55629/1-120](#) [M55629/12-045](#) [M55629/12-046](#) [M55629/1-243](#) [M55629/1-330](#) [M55629/1-331](#) [M55629/1-351](#) [M55629/1-366](#) [M55629/1-387](#) [M55629/1-388](#) [M55629/1-401](#) [M55629/1-430](#) [M55629/1-450](#) [M55629/1-453](#) [M55629/2-022](#) [M55629/2-037](#) [M55629/2-082](#) [M55629/2-099](#) [M55629/2-101](#) [M55629/2-102](#) [M55629/2-115](#) [M55629/2-116](#) [M55629/2-183](#) [M55629/21-HM-HM](#) [M55629/21-NS-NS](#) [M55629/21-SK-UK](#) [M55629/22-NR-NR-NR](#) [M55629/22-RS-RS-RS](#) [M55629/22-TM-TM-TM](#)