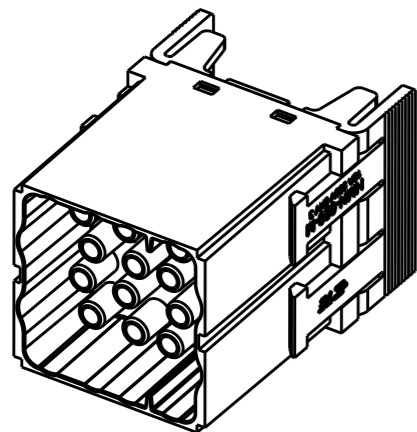


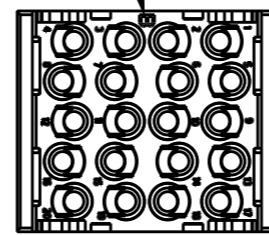
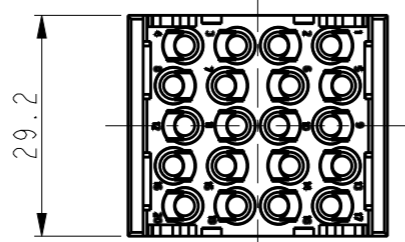
REVISIONS

P	LTR	DESCRIPTION	DATE	DWN	APVD
	A	INITIAL	25MAR2015	DW	CW
	B	ECR-15-018270	08DEC2015	DW	CW
	B1	ECR-18-004560	27MAR2018	CH	CW



TYPE-1: T2111202101-000  
 类型-1: T2111202101-000

LASER PRINT MARKING, ARIAL FONT,  
 HEIGHT 2mm, LOCATION PER ACTUAL POSITION  
 激光打标, ARIAL 字体, 字高2mm, 位置按实际情况调整.



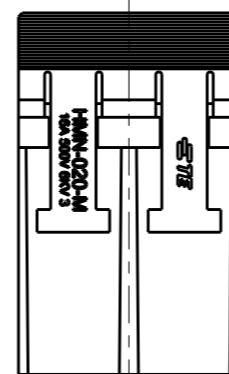
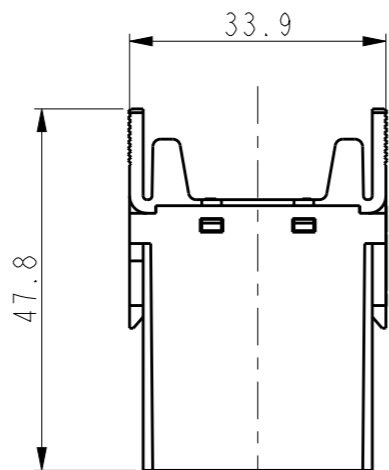
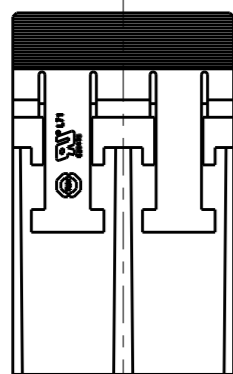
TYPE-3: T2111202101-B00,  
 THIS TYPE IS SAME AS TYPE-1,  
 ONLY ADD LASER PRINT MARKING "B"  
 类型-3: T2111202101-B00  
 此类型同类型-1, 只是增加了激光打标"B".

NOTES:

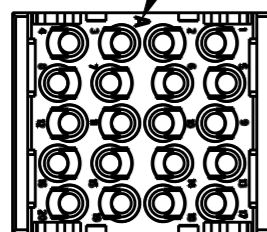
- TECHNICAL CHARACTERISTICS:  
 INSULATION MATERIAL: PC  
 RATED VOLTAGE: 500V  
 RATED CURRENT: 16A  
 INSULATION RESISTANCE:  $\geq 400M\Omega$   
 RATED IMPULSE VOLTAGE: 6KV  
 POLLUTION DEGREE: 3  
 FLAMMABILITY: UL94V-0  
 MATING CYCLES: 500 CYCLES  
 OPERATION TEMPERATURE:  $-40\sim+125^{\circ}C$   
 WIRE RANGE: 0.14~4.0 mm<sup>2</sup> (26~12 AWG)  
 CONTACT TYPE: CRIMP CONTACT
- CONTACT NEED TO BE ORDERED SEPARATELY.  
 (ORDER No. REFER TO DRAWING:T20300X10XX000)

注释:

- 技术参数:  
 绝缘材料: PC  
 额定电压: 500V  
 额定电流: 16A  
 绝缘电阻:  $\geq 400M\Omega$   
 额定脉冲电压: 6KV  
 污染等级: 3  
 阻燃等级: UL94V-0  
 插拔次数: 500次  
 工作温度:  $-40\sim+125^{\circ}C$   
 接线范围: 0.14~4.0 mm<sup>2</sup> (26~12 AWG)  
 接线类型: 冷压接
- 端子需要单独订购.  
 (订货号参考图面: T20300X10XX000)




LASER PRINT MARKING, ARIAL FONT,  
 HEIGHT 2mm, LOCATION PER ACTUAL POSITION  
 激光打标, ARIAL 字体, 字高2mm, 位置按实际情况调整.



TYPE-2: T2111202101-A00,  
 THIS TYPE IS SAME AS TYPE-1,  
 ONLY ADD LASER PRINT MARKING "A"  
 类型-2: T2111202101-A00  
 此类型同类型-1, 只是增加了激光打标"A".

PART NUMBER 料号	PART DESCRIPTION 描述	TYPE 类型
T2111202101-B00	HMN-020-M HMN-020 MALE MODULE INSERT, MARK B HMN-020 模块公插, 打B标识	TYPE-3 类型-3
T2111202101-A00	HMN-020-M HMN-020 MALE MODULE INSERT, MARK A HMN-020 模块公插, 打A标识	TYPE-2 类型-2
T2111202101-000	HMN-020-M HMN-020 MALE MODULE INSERT HMN-020 模块公插	TYPE-1 类型-1

THIS DRAWING IS A CONTROLLED DOCUMENT.		DWN DAVID.WANG 25MAR2015	 TE Connectivity												
DIMENSIONS: mm		CHK CHRIS.WANG 25MAR2015			NAME HMN-020-M										
TOLERANCES UNLESS OTHERWISE SPECIFIED:		APVD XIANG.XU 25MAR2015													
<table border="1"> <tr><td>0 PLC</td><td>±-</td></tr> <tr><td>1 PLC</td><td>±-</td></tr> <tr><td>2 PLC</td><td>±-</td></tr> <tr><td>3 PLC</td><td>±-</td></tr> <tr><td>4 PLC</td><td>±-</td></tr> <tr><td>ANGLES</td><td>±-</td></tr> </table>		0 PLC			±-	1 PLC	±-	2 PLC	±-	3 PLC	±-	4 PLC	±-	ANGLES	±-
0 PLC	±-														
1 PLC	±-														
2 PLC	±-														
3 PLC	±-														
4 PLC	±-														
ANGLES	±-														
MATERIAL	FINISH	APPLICATION SPEC 114-137063	SIZE A3	CAGE CODE 00779	DRAWING NO G-T2111202101000	SCALE 1:1	SHEET 1	OF 1	REV B1						
Customer Drawing															

## X-ON Electronics

Largest Supplier of Electrical and Electronic Components

*Click to view similar products for [Heavy Duty Power Connectors](#) category:*

*Click to view products by [TE Connectivity](#) manufacturer:*

Other Similar products are found below :

[1424439](#) [1424438](#) [09330062652](#) [2-8675P1](#) [605601-1](#) [6340G1](#) [6341G1](#) [6360G1](#) [6373G1](#) [6374g2](#) [6396G1](#) [647757-1](#) [66394-4](#) [6643411-1](#)  
[6646058-2](#) [6646137-1](#) [6646138-1](#) [6646348-1](#) [6646479-1](#) [6646608-1](#) [6646786-1](#) [6646940-1](#) [6651091-1](#) [6651525-1](#) [6651529-1](#) [6651778-1](#)  
[6651788-1](#) [696465-1](#) [696475-1](#) [73000005059](#) [73000005349](#) [73000005642](#) [73080255059](#) [73080965046](#) [765-15-0080A](#) [765-16-0080B](#)  
[789.700-44](#) [789.700-54](#) [80-1010](#) [80-9](#) [827381-1](#) [829992-1](#) [902-77-02113](#) [PL00U-301-10D10](#) [PM103MOOLOO](#) [PM16S1620S32-50](#)  
[PM212MOOLOO](#) [PM309FOOLOO](#) [PM324FOOLCH](#) [PMHPAF11S03](#)