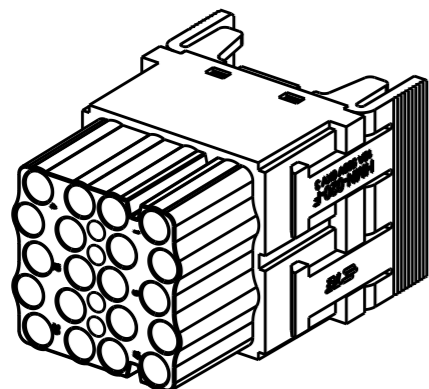


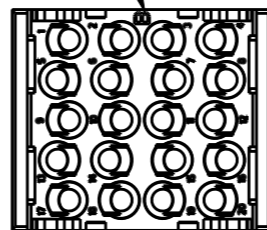
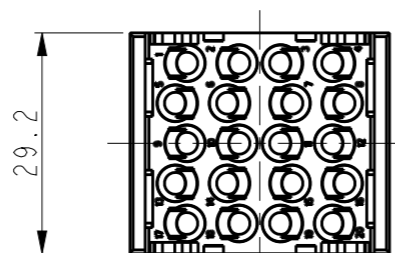
REVISIONS

P	LTR	DESCRIPTION	DATE	DWN	APVD
A		INITIAL	25MAR2015	DW	CW
B		ECR-15-018270	08DEC2015	DW	CW
BI		ECR-18-004560	27MAR2018	CH	CW

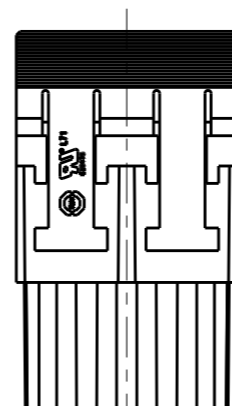
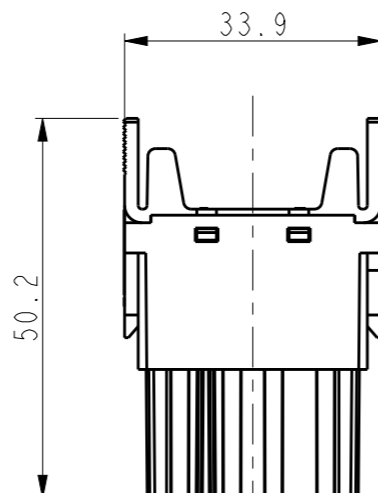
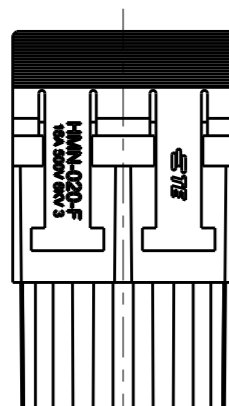


TYPE-1: T2111202201-000
类型-1: T2111202201-000

LASER PRINT MARKING, ARIAL FONT,
HEIGHT 2mm, LOCATION PER ACTUAL POSITION
激光打标, ARIAL 字体, 字高2mm, 位置按实际情况调整.



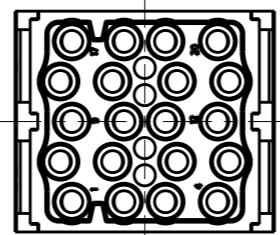
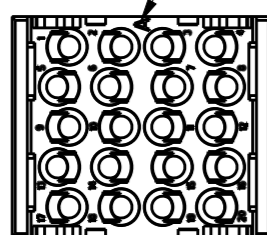
TYPE-3: T2111202201-B00,
THIS TYPE IS SAME AS TYPE-1,
ONLY ADD LASER PRINT MARKING "B"
类型-3: T2111202201-B00
此类型同类型-1, 只是增加了激光打标"B".



- NOTES:
- TECHNICAL CHARACTERISTICS:
INSULATION MATERIAL: PC
RATED VOLTAGE: 500V
RATED CURRENT: 16A
INSULATION RESISTANCE: $\geq 400M\Omega$
RATED IMPULSE VOLTAGE: 6KV
POLLUTION DEGREE: 3
FLAMMABILITY: UL94V-0
MATING CYCLES: 500 CYCLES
OPERATION TEMPERATURE: $-40\sim+125^{\circ}C$
WIRE RANGE: $0.14\sim 4.0\text{ mm}^2$ (26~12 AWG)
CONTACT TYPE: CRIMP CONTACT
 - CONTACT NEED TO BE ORDERED SEPARATELY.
(ORDER No. REFER TO DRAWING: T20300X20XX000)

- 注释:
- 技术参数:
绝缘材料: PC
额定电压: 500V
额定电流: 16A
绝缘电阻: $\geq 400M\Omega$
额定脉冲电压: 6KV
污染等级: 3
阻燃等级: UL94V-0
插拔次数: 500次
工作温度: $-40\sim+125^{\circ}C$
接线范围: $0.14\sim 4.0\text{ mm}^2$ (26~12 AWG)
接线类型: 冷压接
 - 端子需要单独订购.
(订货号参考图面: T20300X20XX000)

LASER PRINT MARKING, ARIAL FONT,
HEIGHT 2mm, LOCATION PER ACTUAL POSITION
激光打标, ARIAL 字体, 字高2mm, 位置按实际情况调整.



TYPE-2: T2111202201-A00,
THIS TYPE IS SAME AS TYPE-1,
ONLY ADD LASER PRINT MARKING "A"
类型-2: T2111202201-A00
此类型同类型-1, 只是增加了激光打标"A".

T2111202201-B00	HMN-020-F	HMN-020 FEMALE MODULE INSERT, MARK B HMN-020 模块母插, 打B标识	TYPE-3 类型-3
T2111202201-A00	HMN-020-F	HMN-020 FEMALE MODULE INSERT, MARK A HMN-020 模块母插, 打A标识	TYPE-2 类型-2
T2111202201-000	HMN-020-F	HMN-020 FEMALE MODULE INSERT HMN-020 模块母插	TYPE-1 类型-1
PART NUMBER 料号	PART DESCRIPTION 描述		TYPE 类型

THIS DRAWING IS A CONTROLLED DOCUMENT.		DWN 25MAR2015 DAVID.WANG	TE Connectivity		
		CHK 25MAR2015 CHRIS.WANG			
		APVD 25MAR2015 XIANG_XU	NAME HMN-020-F		
DIMENSIONS: mm		PRODUCT SPEC 108-137063	RESTRICTED TO		
TOLERANCES UNLESS OTHERWISE SPECIFIED: 0 PLC \pm - 1 PLC \pm - 2 PLC \pm - 3 PLC \pm - 4 PLC \pm - ANGLES \pm -		APPLICATION SPEC 114-137063	SIZE A3	CAGE CODE 00779	DRAWING NO G-T2111202201000
MATERIAL -		WEIGHT -	SCALE 1:1		
		CUSTOMER DRAWING	SHEET 1 OF 1		REV B1

X-ON Electronics

Largest Supplier of Electrical and Electronic Components

Click to view similar products for [Heavy Duty Power Connectors](#) category:

Click to view products by [TE Connectivity](#) manufacturer:

Other Similar products are found below :

[1424439](#) [1424438](#) [09330062652](#) [2-8675P1](#) [605601-1](#) [6340G1](#) [6341G1](#) [6360G1](#) [6373G1](#) [6374g2](#) [6396G1](#) [647757-1](#) [66394-4](#) [6643411-1](#)
[6646058-2](#) [6646137-1](#) [6646138-1](#) [6646348-1](#) [6646479-1](#) [6646608-1](#) [6646786-1](#) [6646940-1](#) [6651091-1](#) [6651525-1](#) [6651529-1](#) [6651778-1](#)
[6651788-1](#) [696465-1](#) [696475-1](#) [73000005059](#) [73000005349](#) [73000005642](#) [73080255059](#) [73080965046](#) [765-15-0080A](#) [765-16-0080B](#)
[789.700-44](#) [789.700-54](#) [80-1010](#) [80-9](#) [827381-1](#) [829992-1](#) [902-77-02113](#) [PL00U-301-10D10](#) [PM103MOOLOO](#) [PM16S1620S32-50](#)
[PM212MOOLOO](#) [PM309FOOLOO](#) [PM324FOOLCH](#) [PMHPAF11S03](#)