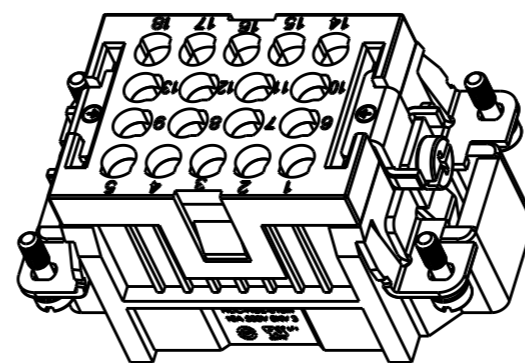
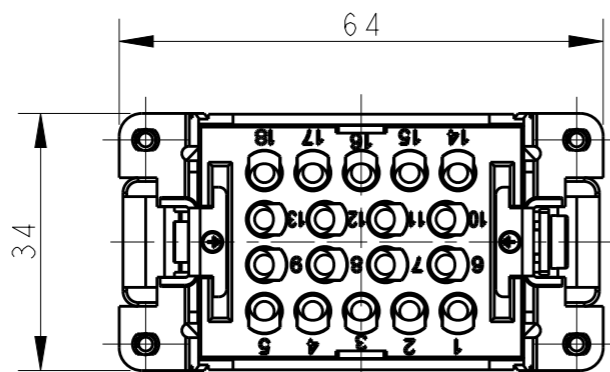


THIS DRAWING IS UNPUBLISHED. RELEASED FOR PUBLICATION 20
 © COPYRIGHT 20 BY - ALL RIGHTS RESERVED.

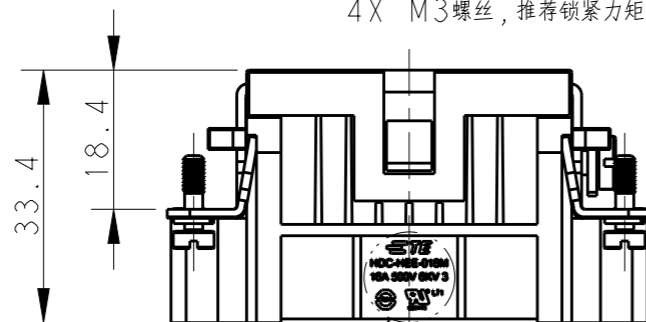
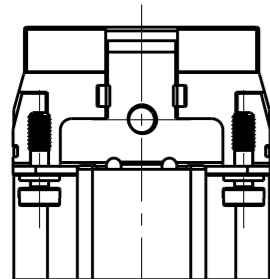
REVISIONS

P	LTR	DESCRIPTION	DATE	DWN	APVD
A		INITIAL RELEASE	10MAR2015	DL	CW
B		ECR-15-014907	14OCT2015	DL	CW
B1		ECR-16-013081	13SEP2016	DL	CW
B2		ECR-16-015492	21NOV2016	QY	CW

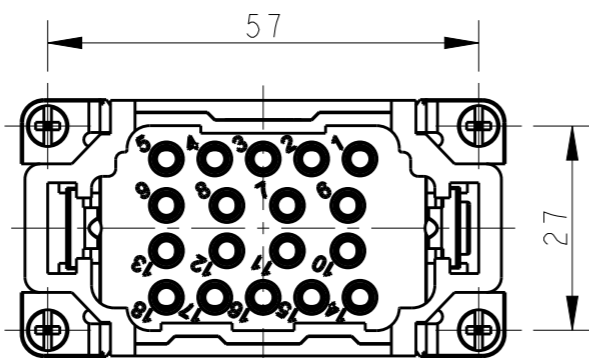


TYPE-1, T2050182101-000, TE LOGO
 类型-1, T2050182101-000, TE LOGO

4X M3 SCREW, RECOMMENDED
 TIGHTENING TORQUE 0.5Nm
 4X M3螺丝, 推荐锁紧力矩0.5Nm



DETAIL A
 M4 SCREW, RECOMMENDED
 TIGHTENING TORQUE 1.2Nm
 M4螺丝, 推荐锁紧力矩1.2Nm



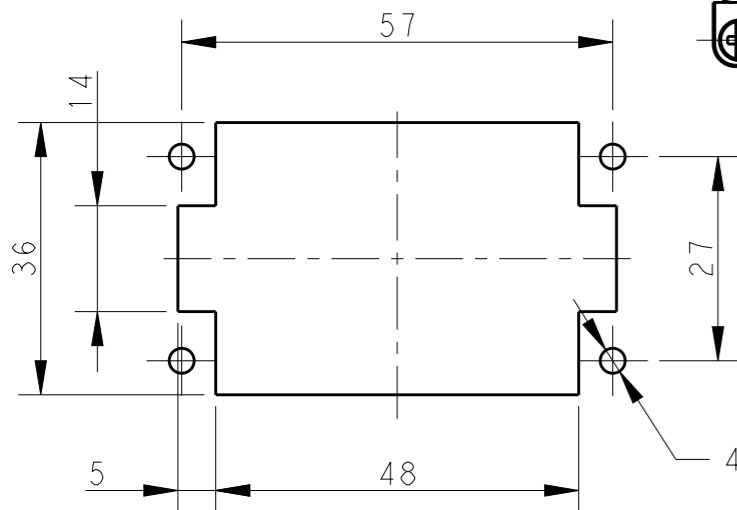
DETAIL A
 SCALE 4:1

NOTES:

- TECHNICAL CHARACTERISTICS:
 INSULATION MATERIAL: PC
 RATED VOLTAGE: 500 V
 RATED CURRENT: 16 A
 INSULATION RESISTANCE: $\geq 400M\Omega$
 RATED IMPULSE VOLTAGE: 6 KV
 POLLUTION DEGREE: 3
 FLAMMABILITY: UL94V-0
 MATING CYCLES: 500 CYCLES
 WIRE RANGE: 0.14-4 mm² (26-12 AWG)
 CONTACT TYPE: CRIMP CONTACT
- CONTACT NEED TO BE ORDERED SEPARATELY.
 (ORDER No. T20300X10XX-000)

注释:

- 技术参数:
 绝缘材料: PC
 额定电压: 500V
 额定电流: 16A
 绝缘电阻: $\geq 400M\Omega$
 额定脉冲电压: 6 KV
 污染等级: 3
 阻燃等级: UL94V-0
 插拔次数: 500次
 接线范围: 0.14-4 mm² (26-12 AWG)
 接线类型: 冷压接
- 端子需要单独订购。
 (订货号 T20300X10XX-000)



PANEL CUT FOR INSERTS FOR USING
 WITHOUT HOODS/ HOUSINGS
 不使用防护外壳时芯件的安装开孔图

THIS DRAWING IS A CONTROLLED DOCUMENT.		DWN DAVID LI 10MAR2015		TE Connectivity	
		CHK CHRIS WANG 10MAR2015			
		APVD XIANG XU 10MAR2015		NAME HEE-018-M	
DIMENSIONS: mm		TOLERANCES UNLESS OTHERWISE SPECIFIED:		PRODUCT SPEC 108-106137	
		0 PLC ±-		APPLICATION SPEC 114-106137	
		1 PLC ±-		WEIGHT -	
		2 PLC ±-		SIZE A3	
		3 PLC ±-		CAGE CODE -	
		4 PLC ±-		DRAWING NO. T2050182101000	
		ANGLES ±-		RESTRICTED TO -	
MATERIAL -		FINISH -		SCALE 1:1	
				SHEET 1 OF 3	
				REV B2	
		CUSTOMER DRAWING			

4

3

2

1

THIS DRAWING IS UNPUBLISHED.

RELEASED FOR PUBLICATION

20

© COPYRIGHT 20

BY -

ALL RIGHTS RESERVED.

REVISIONS

P	LTR	DESCRIPTION	DATE	DWN	APVD
-		SEE SHEET 1	-	-	-

NOTE:

SEE SHEET 1

注释:

见页 1

DETAIL B

TYPE-2, T2059182101-000, NO TE LOGO
 类型-2, T2059182101-000, 无TE LOGO

HDC-HEE-018M
16A 500V 6KV 3

DETAIL B
 SCALE 4:1

ALL SPEC DIMENSION REFER TO TYPE 1
 所有产品规格尺寸参照 TYPE 1

THIS DRAWING IS A CONTROLLED DOCUMENT.		DWN DAVID LI 10MAR2015	TE Connectivity	
DIMENSIONS: mm		CHK CHRIS WANG 10MAR2015		
TOLERANCES UNLESS OTHERWISE SPECIFIED:		APVD XIANG XU 10MAR2015	NAME HEE-018-M	
0 PLC ±-		PRODUCT SPEC 108-106137	SIZE A3	
1 PLC ±-		APPLICATION SPEC 114-106137	CAGE CODE -	
2 PLC ±-		WEIGHT -	DRAWING NO T2050182101000	
3 PLC ±-		CUSTOMER DRAWING	RESTRICTED TO -	
4 PLC ±-			SCALE 1:1	
ANGLES ±-		SHEET 2 OF 3		REV B2
FINISH -				
MATERIAL -				

1470-19 (3/13)

THIS DRAWING IS UNPUBLISHED.

RELEASED FOR PUBLICATION

20

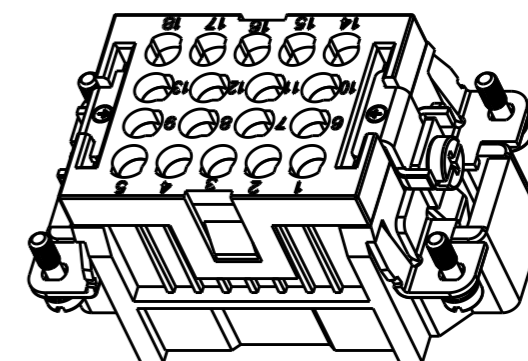
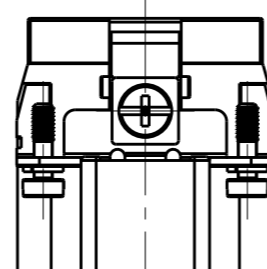
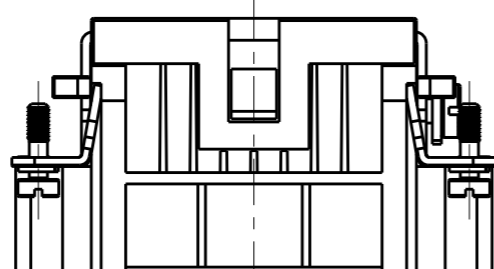
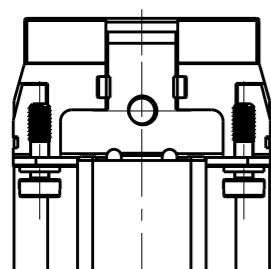
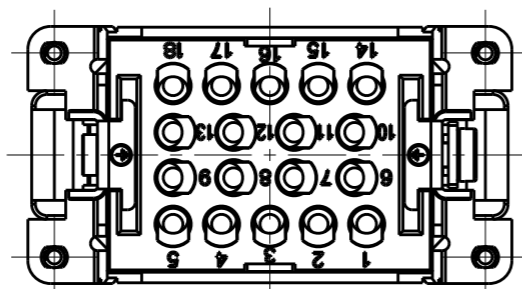
© COPYRIGHT 20 BY -

ALL RIGHTS RESERVED.

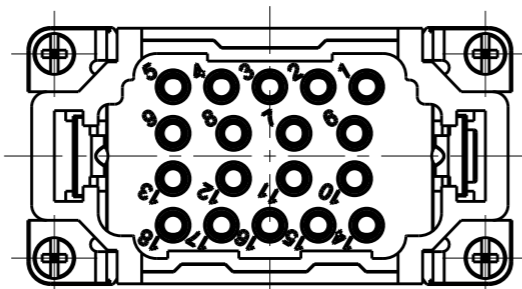
REVISIONS

P	LTR	DESCRIPTION	DATE	DWN	APVD
-		SEE SHEET 1	-	-	-

NOTE:
SEE SHEET 1
注释:
见页 1




TYPE-3, T2050182101-001, STAINLESS STEEL SCREW, NO LOGO
类型-3, T2050182101-001, 不锈钢螺丝, 无LOGO



ALL SPEC DIMENSION REFER TO TYPE 1
所有产品规格尺寸参照 TYPE 1

T2050182101-001	HEE-018-M	HEE-018 MALE INSERT, STAINLESS STEEL SCREW, NO LOGO HEE-018 公插, 不锈钢螺丝, 无LOGO	TYPE-3 类型-3
T2059182101-000	HEE-018-M	HEE-018 MALE INSERT, NO TE LOGO HEE-018 公插, 无TE LOGO	TYPE-2 类型-2
T2050182101-000	HEE-018-M	HEE-018 MALE INSERT HEE-018 公插	TYPE-1 类型-1
PART NUMBER 料号		PART DESCRIPTION 描述	TYPE 类型

THIS DRAWING IS A CONTROLLED DOCUMENT.		DWN 10MAR2015 DAVID LI	 TE Connectivity	
DIMENSIONS: mm		CHK 10MAR2015 CHRIS WANG		
TOLERANCES UNLESS OTHERWISE SPECIFIED:		APVD 10MAR2015 XIANG XU	PRODUCT SPEC 108-106137	
0 PLC ±-		APPLICATION SPEC 114-106137	SIZE A3	CAGE CODE -
1 PLC ±-		WEIGHT -	DRAWING NO T2050182101000	RESTRICTED TO -
2 PLC ±-		CUSTOMER DRAWING	SCALE 1:1	SHEET 3 OF 3
3 PLC ±-			REV B2	
4 PLC ±-				
ANGLES ±-				
FINISH				
MATERIAL				

X-ON Electronics

Largest Supplier of Electrical and Electronic Components

Click to view similar products for [Heavy Duty Power Connectors](#) category:

Click to view products by [TE Connectivity](#) manufacturer:

Other Similar products are found below :

[1424439](#) [1424438](#) [09330062652](#) [2-8675P1](#) [605601-1](#) [6340G1](#) [6341G1](#) [6360G1](#) [6373G1](#) [6374g2](#) [6396G1](#) [647757-1](#) [66394-4](#) [6643411-1](#)
[6646058-2](#) [6646137-1](#) [6646138-1](#) [6646348-1](#) [6646479-1](#) [6646608-1](#) [6646786-1](#) [6646940-1](#) [6651091-1](#) [6651525-1](#) [6651529-1](#) [6651778-1](#)
[6651788-1](#) [696465-1](#) [696475-1](#) [73000005059](#) [73000005349](#) [73000005642](#) [73080255059](#) [73080965046](#) [765-15-0080A](#) [765-16-0080B](#)
[789.700-44](#) [789.700-54](#) [80-1010](#) [80-9](#) [827381-1](#) [829992-1](#) [902-77-02113](#) [PL00U-301-10D10](#) [PM103MOOLOO](#) [PM16S1620S32-50](#)
[PM212MOOLOO](#) [PM309FOOLOO](#) [PM324FOOLCH](#) [PMHPAF11S03](#)