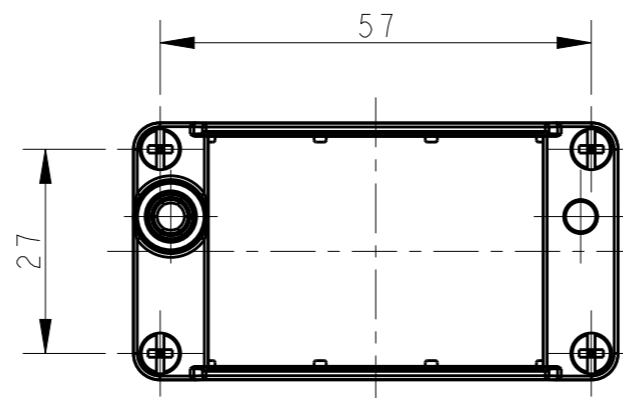
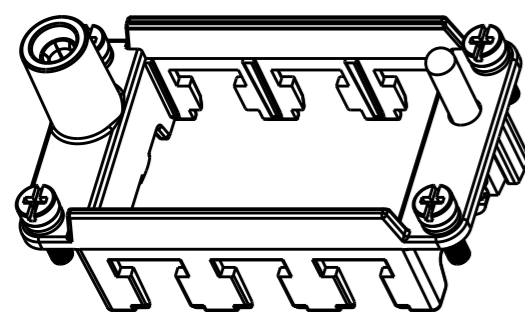


THIS DRAWING IS UNPUBLISHED. RELEASED FOR PUBLICATION 20  
 © COPYRIGHT 20 BY - ALL RIGHTS RESERVED.

REVISIONS

P	LTR	DESCRIPTION	DATE	DWN	APVD
	A	INITIAL	28FEB2015	DW	CW
	A1	ECR-16-000601	14JAN2016	DW	CW
	A2	ECR-16-017508	10DEC2016	RL	CW



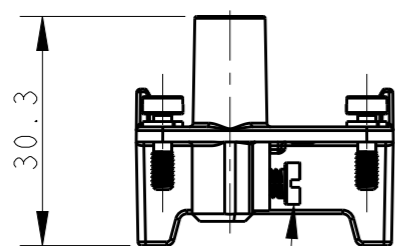
NOTES:

- 1. TECHNICAL CHARACTERISTICS:  
 FRAME MATERIAL: DIE CAST ZINC ALLOY  
 NUMBER OF MODULES: 3  
 SURFACE: ZINC PLATED  
 MATING CYCLES: 500 CYCLES

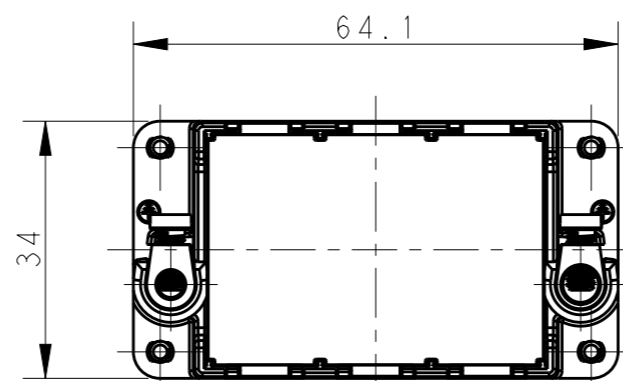
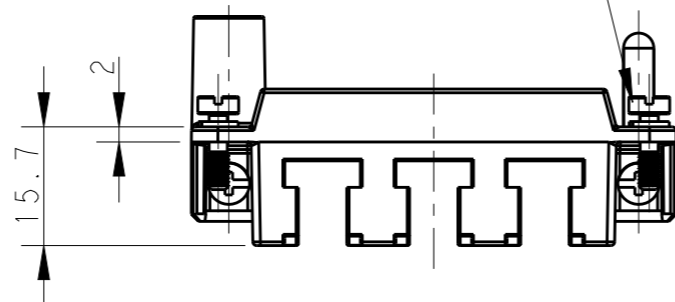
注释:

- 1. 技术参数:  
 框架材料: 锌合金  
 模块数量: 3  
 表面处理: 镀锌  
 插拔次数: 500次

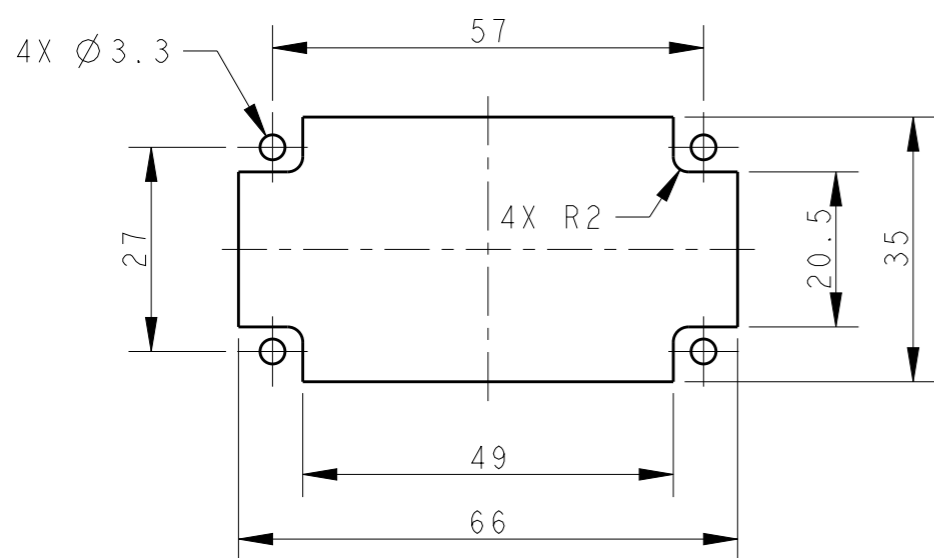
4X M3 SCREW  
 RECOMMENDED TIGHTENING TORQUE 0.5Nm  
 4X M3 螺丝推荐锁紧力矩为0.5Nm



2X M4 SCREW, RECOMMENDED TIGHTENING TORQUE 1.2Nm  
 2X M4 螺丝, 推荐锁紧力矩为1.2Nm




T2070104001-000 SHOWN ABOVE WITHOUT MARK  
 T2070104001-000, 不带标记



PANEL CUT FOR FRAME USE WITHOUT HOODS/ HOUSINGS

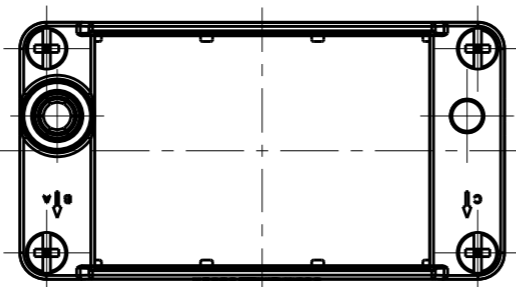
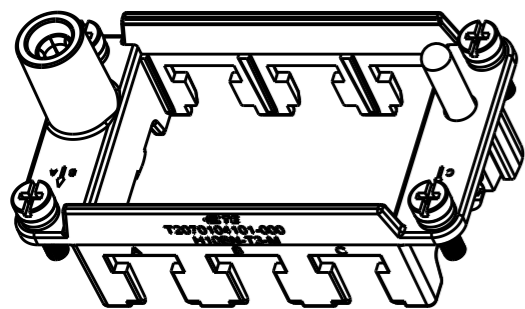
T2070104001-000	H10BN-T3	H10BN MODULE FRAME H10BN模块框架
T2070104101-000	H10BN-T3-M	H10BN MALE MODULE FRAME H10BN模块公框架
T2070104201-000	H10BN-T3-F	H10BN FEMALE MODULE FRAME H10BN模块母框架

PART NUMBER 料号	PART DESCRIPTION 描述
-------------------	------------------------

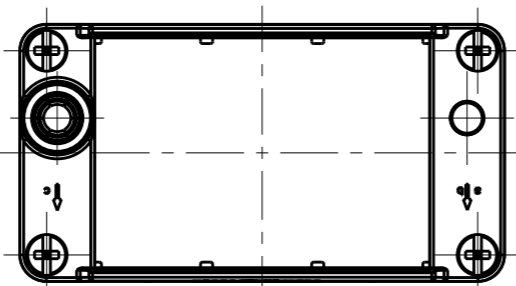
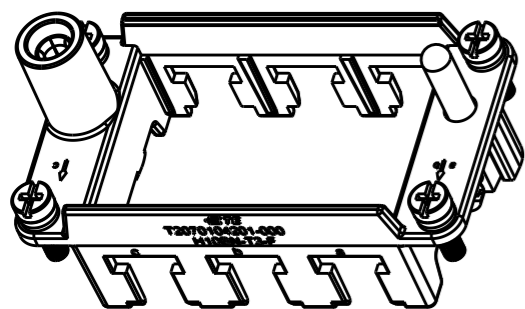
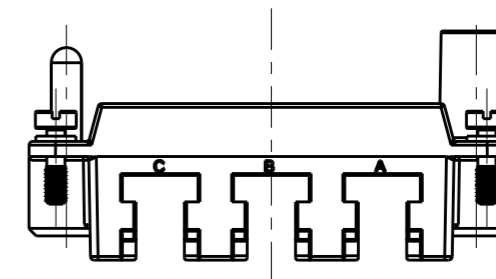
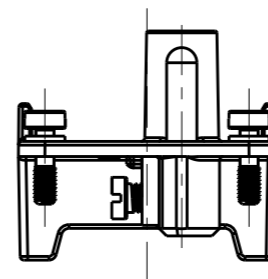
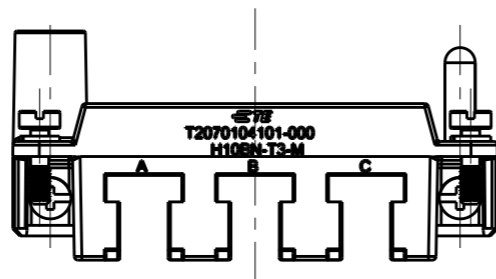
THIS DRAWING IS A CONTROLLED DOCUMENT.		DWN 28FEB2015 DAVID WANG	 TE Connectivity	
DIMENSIONS: mm		CHK 28FEB2015 CHRIS WANG		
TOLERANCES UNLESS OTHERWISE SPECIFIED:		APVD 28FEB2015 XIANG XU	NAME H10BN-T3	
0 PLC ±-		PRODUCT SPEC 108-137057	SIZE	
1 PLC ±-		APPLICATION SPEC 114-137057	CAGE CODE	
2 PLC ±-		WEIGHT	DRAWING NO	
3 PLC ±-		Customer Drawing	RESTRICTED TO	
4 PLC ±-			A300779	
ANGLES ±-			SCALE 1:1	
FINISH			SHEET 1 OF 2	
			REV A2	

REVISIONS

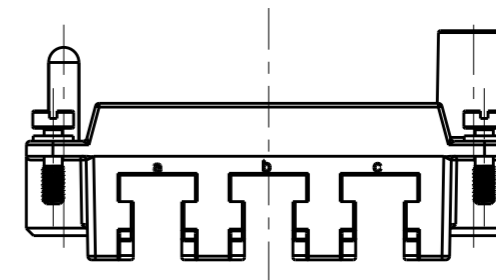
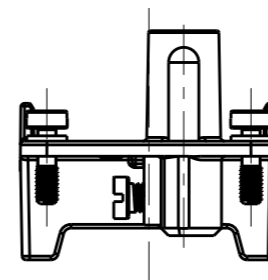
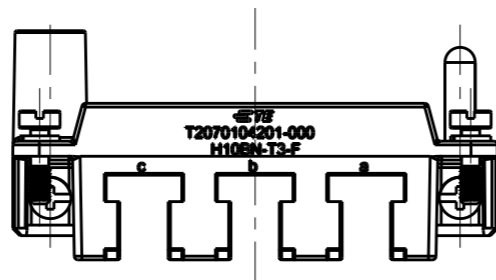
P	LTR	DESCRIPTION	DATE	DWN	APVD
-	-	SEE SHEET 1	-	-	-



T2070104101-000, H10BN-T3-M SHOWN  
 WITH MARK, ALL DIMENSIONS THE SAME TO T2070104001-000  
 T2070104101-000, H10BN-T3-M, 带标记, 所有尺寸同T2070104001-000一样



T2070104201-000, H10BN-T3-F SHOWN  
 WITH MARK, ALL DIMENSIONS THE SAME TO T2070104001-000  
 T2070104201-000, H10BN-T3-F, 带标记, 所有尺寸同T2070104001-000一样



THIS DRAWING IS A CONTROLLED DOCUMENT.

DIMENSIONS:	TOLERANCES UNLESS OTHERWISE SPECIFIED:
mm	0 PLC ±-
	1 PLC ±-
	2 PLC ±-
	3 PLC ±-
	4 PLC ±-
	ANGLES ±-
MATERIAL	FINISH
-	-
-	-

DWN	28FEB2015
DAVID WANG	
CHK	28FEB2015
CHRIS WANG	
APVD	28FEB2015
XIANG XU	
PRODUCT SPEC	108-137057
APPLICATION SPEC	114-137057
WEIGHT	-
Customer Drawing	

TE Connectivity		NAME		RESTRICTED TO
		H10BN-T3		
SIZE	CAGE CODE	DRAWING NO	-	
A3	00779	©-T2070104001000	-	
SCALE		SHEET	OF	REV
1:1		2	2	A2

## X-ON Electronics

Largest Supplier of Electrical and Electronic Components

*Click to view similar products for [Heavy Duty Power Connectors](#) category:*

*Click to view products by [TE Connectivity](#) manufacturer:*

Other Similar products are found below :

[1424439](#) [1424438](#) [09330062652](#) [2-8675P1](#) [605601-1](#) [6340G1](#) [6341G1](#) [6360G1](#) [6373G1](#) [6374g2](#) [6396G1](#) [647757-1](#) [66394-4](#) [6643411-1](#)  
[6646058-2](#) [6646137-1](#) [6646138-1](#) [6646348-1](#) [6646479-1](#) [6646608-1](#) [6646786-1](#) [6646940-1](#) [6651091-1](#) [6651525-1](#) [6651529-1](#) [6651778-1](#)  
[6651788-1](#) [696465-1](#) [696475-1](#) [73000005059](#) [73000005349](#) [73000005642](#) [73080255059](#) [73080965046](#) [765-15-0080A](#) [765-16-0080B](#)  
[789.700-44](#) [789.700-54](#) [80-1010](#) [80-9](#) [827381-1](#) [829992-1](#) [902-77-02113](#) [PL00U-301-10D10](#) [PM103MOOLOO](#) [PM16S1620S32-50](#)  
[PM212MOOLOO](#) [PM309FOOLOO](#) [PM324FOOLCH](#) [PMHPAF11S03](#)