

THIS DRAWING IS UNPUBLISHED.

RELEASED FOR PUBLICATION

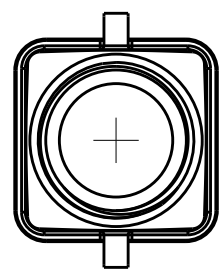
20

© COPYRIGHT 20 BY -

ALL RIGHTS RESERVED.

REVISIONS

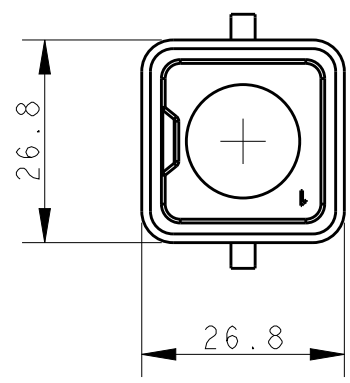
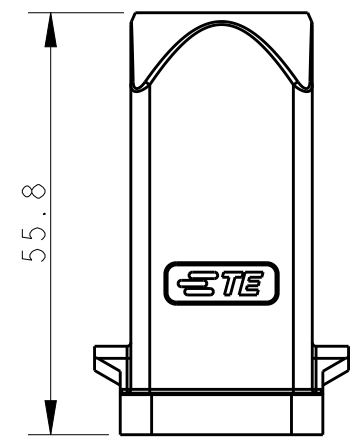
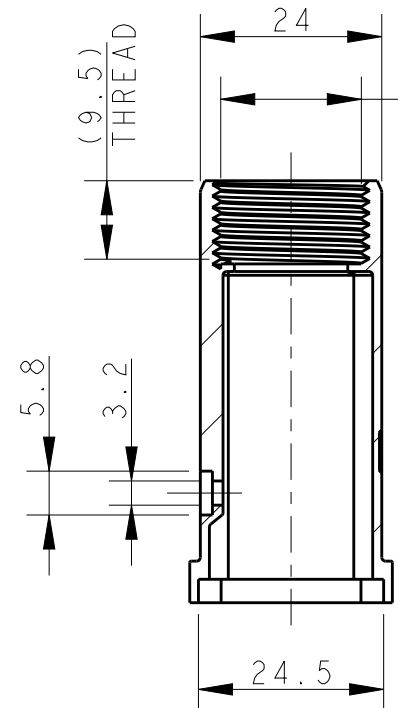
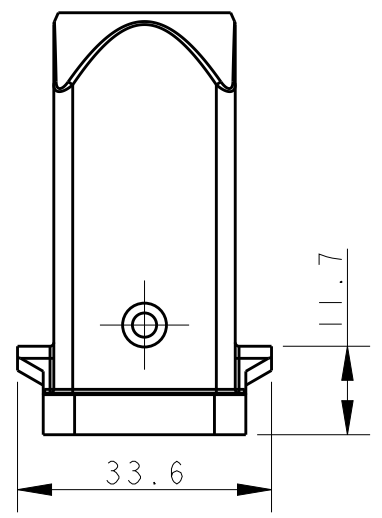
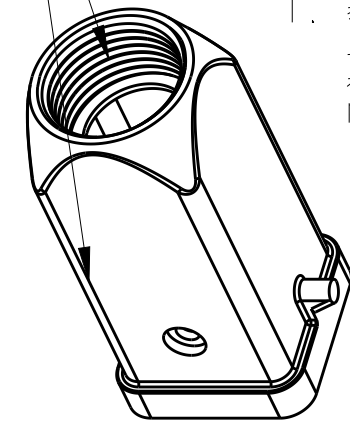
P	LTR	DESCRIPTION	DATE	DWN	APVD
	A	INITIAL RELEASE	04MAY2015	DL	CW
	A1	ECR-17-009215	24JUN2017	QY	CW
	A2	ECR-18-006400	11MAY2018	RG	CW



FOR "T1329034111-000" & "T1329036120-000"  
NEED TO BE COATED INSIDE AND OUTSIDE  
料号 "T1329034111-000" & "T1329036120-000" 需里外喷涂

NOTES:  
1. TECHNICAL CHARACTERISTICS:  
BODY MATERIAL: DIE CAST ZINC ALLOY  
SURFACE TREATMENT: SEE TABLE  
DEGREE OF PROTECTION: IP65 (MATED)

注释:  
1. 技术参数:  
主体材料: 锌合金  
表面处理: 见表格  
防护等级: IP65(配合)



PART NUMBER 料号	PART DESCRIPTION 描述	PG/M THREAD PG/M螺纹孔
T1329033111-000	H3A-MTG-PG11 H3A HOOD, TOP ENTRY PG11, 2 EAR, POWDER COATED, RED RAL2004 H3A上壳, 顶出PG11, 2耳, 红色粉末喷涂 RAL2004	PG11
T1329030111-000	H3A-MTG-PG11 H3A HOOD, TOP ENTRY PG11, 2 EAR, POWDER COATED, GREY H3A上壳, 顶出PG11, 2耳, 灰色粉末喷涂	PG11
T1329030120-000	H3A-MTG-M20 H3A HOOD, TOP ENTRY M20, 2 EAR, POWDER COATED, GREY H3A上壳, 顶出M20, 2耳, 灰色粉末喷涂	M20X1.5
T1329034111-000	H3A-MTG-PG11 H3A HOOD, TOP ENTRY PG11, 2 EAR, POWDER COATED WITH INSIDE AND OUTSIDE, GREY H3A上壳, 顶出PG11, 2耳, 灰色粉末里外喷涂	PG11
T1329036120-000	H3A-MTG-M20 H3A HOOD, TOP ENTRY M20, 2 EAR, POWDER COATED WITH INSIDE AND OUTSIDE, GREY H3A上壳, 顶出M20, 2耳, 灰色粉末里外喷涂	M20X1.5
T1329035111-100	H3A-MTG-EMC-PG11 H3A EMC HOOD, TOP ENTRY PG11, 2 EAR, Ni PLATED H3A屏蔽上壳, 顶出PG11, 2耳, 镀镍	PG11
T1329035120-100	H3A-MTG-EMC-M20 H3A EMC HOOD, TOP ENTRY M20, 2 EAR, Ni PLATED H3A屏蔽上壳, 顶出M20, 2耳, 镀镍	M20X1.5

THIS DRAWING IS A CONTROLLED DOCUMENT.		DWN 04MAY2015 DAVID LI	<b>TE Connectivity</b>	
		CHK 04MAY2015 CHRIS WANG		
		APVD 04MAY2015 XU XIANG		
		PRODUCT SPEC 108-137012		
DIMENSIONS: mm		TOLERANCES UNLESS OTHERWISE SPECIFIED:		NAME H3A-MTG/MTG-EMC-PG/M
		0 PLC ±-	1 PLC ±-	SIZE A3
		2 PLC ±-	3 PLC ±-	CAGE CODE -
		4 PLC ±-	ANGLES ±-	DRAWING NO C-T132903X1XXX00
MATERIAL -		FINISH -		RESTRICTED TO
				SCALE 1:1
				SHEET 1 OF 1
				REV A2
		CUSTOMER DRAWING		

## X-ON Electronics

Largest Supplier of Electrical and Electronic Components

*Click to view similar products for [Heavy Duty Power Connectors](#) category:*

*Click to view products by [TE Connectivity](#) manufacturer:*

Other Similar products are found below :

[1424439](#) [1424438](#) [09330062652](#) [2-8675P1](#) [605601-1](#) [6340G1](#) [6341G1](#) [6360G1](#) [6373G1](#) [6374g2](#) [6396G1](#) [647757-1](#) [66394-4](#) [6643411-1](#)  
[6646058-2](#) [6646137-1](#) [6646138-1](#) [6646348-1](#) [6646479-1](#) [6646608-1](#) [6646786-1](#) [6646940-1](#) [6651091-1](#) [6651525-1](#) [6651529-1](#) [6651778-1](#)  
[6651788-1](#) [696465-1](#) [696475-1](#) [73000005059](#) [73000005349](#) [73000005642](#) [73080255059](#) [73080965046](#) [765-15-0080A](#) [765-16-0080B](#)  
[789.700-44](#) [789.700-54](#) [80-1010](#) [80-9](#) [827381-1](#) [829992-1](#) [902-77-02113](#) [PL00U-301-10D10](#) [PM103MOOLOO](#) [PM16S1620S32-50](#)  
[PM212MOOLOO](#) [PM309FOOLOO](#) [PM324FOOLCH](#) [PMHPAF11S03](#)