

THIS DRAWING IS UNPUBLISHED.

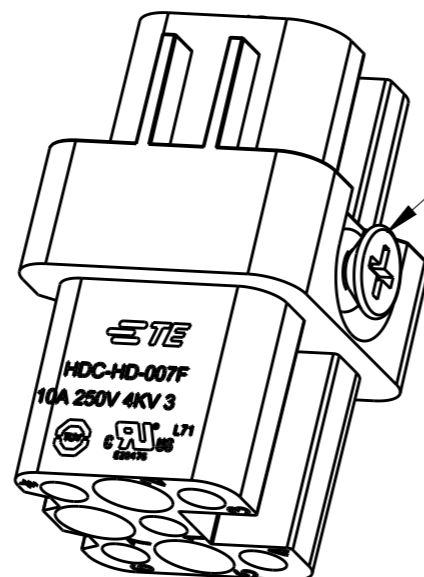
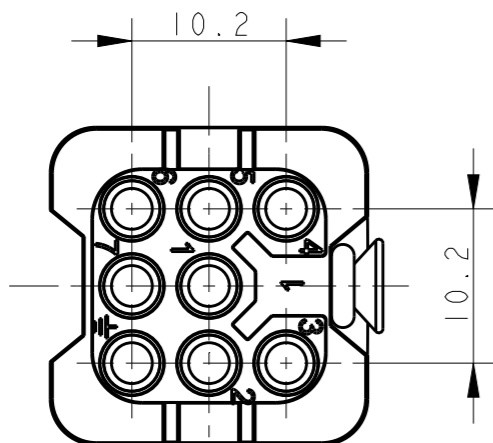
RELEASED FOR PUBLICATION

20

© COPYRIGHT 20 BY - ALL RIGHTS RESERVED.

REVISIONS

P	LTR	DESCRIPTION	DATE	DWN	APVD
	A	INITIAL RELEASE	16DEC2014	HMR	CW
	B	ECR-15-013292	16SEP2015	DL	CW
	B1	ECR-16-015492	04NOV2016	QY	CW



M3 SCREW  
RECOMMENDED TIGHTENING  
TORQUE 0.5Nm  
M3 螺丝, 推荐锁紧力矩0.5Nm

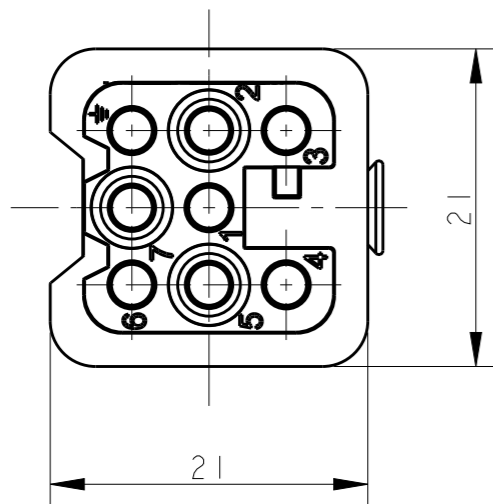
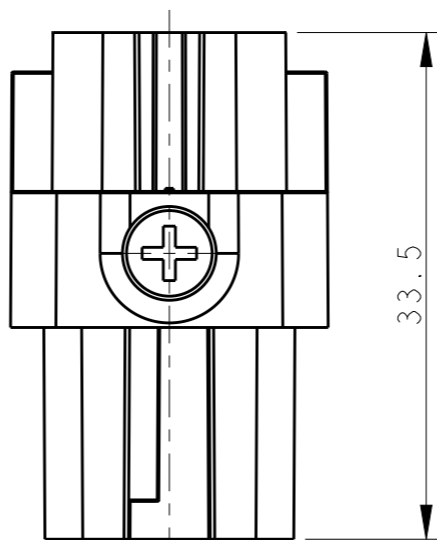
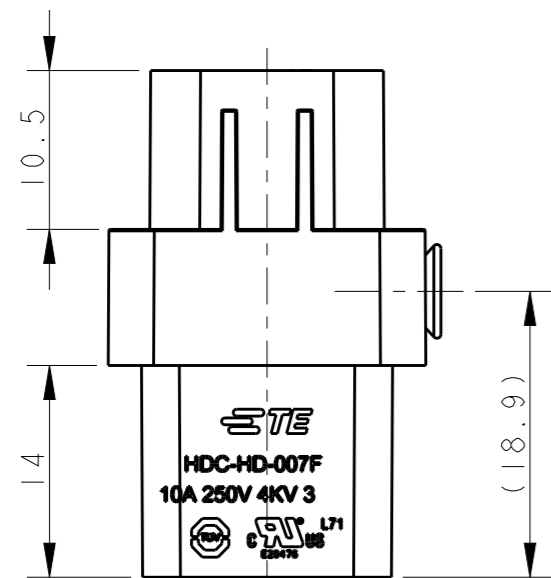
TYPE-1, T2020072201-000, TE LOGO  
类型-1, T2020072201-000, TE LOGO

NOTES:

- TECHNICAL CHARACTERISTICS:  
INSULATION MATERIAL: PBT  
RATED VOLTAGE: 250 V  
RATED CURRENT: 10 A  
INSULATION RESISTANCE:  $\geq 400M\Omega$   
RATED IMPULSE VOLTAGE: 4 KV  
POLLUTION DEGREE: 3  
FLAMMABILITY: UL94V-0  
MATING CYCLES: 500 CYLCES  
WIRE RANGE: 0.14-2.5 mm<sup>2</sup> (26-14 AWG)  
CONTACT TYPE: CRIMP CONTACT
- CONTACT NEED TO BE ORDERED SEPARATELY.  
(ORDER No. REFER TO DRAWING: T20200X20XX000)

注释:

- 技术参数:  
绝缘材料: PBT  
额定电压: 250V  
额定电流: 10A  
绝缘电阻:  $\geq 400M\Omega$   
额定脉冲电压: 4 KV  
污染等级: 3  
阻燃等级: UL94V-0  
插拔次数: 500次  
接线范围: 0.14-2.5 mm<sup>2</sup> (26-14 AWG)  
接线类型: 冷压接
- 端子需要单独订购.  
(订货号参考图面: T20200X20XX000)



THIS DRAWING IS A CONTROLLED DOCUMENT.

DIMENSIONS:		TOLERANCES UNLESS OTHERWISE SPECIFIED:	
mm			
	0 PLC	±	-
	1 PLC	±	-
	2 PLC	±	-
	3 PLC	±	-
	4 PLC	±	-
	ANGLES	±	-
MATERIAL		FINISH	
-		-	
-		-	

DWN	16DEC2014	RAGHAVENDRA H M
CHK	16DEC2014	CHRIS WANG
APVD	16DEC2014	XU XIANG
PRODUCT SPEC	108-137042	
APPLICATION SPEC	114-137042	
WEIGHT	-	
CUSTOMER DRAWING		

		TE Connectivity	
		NAME HD-007-F	
SIZE	CAGE CODE	DRAWING NO	RESTRICTED TO
A3	-	©-T2020072201000	-
SCALE 2:1		SHEET 1 OF 2	REV B1

THIS DRAWING IS UNPUBLISHED.

RELEASED FOR PUBLICATION

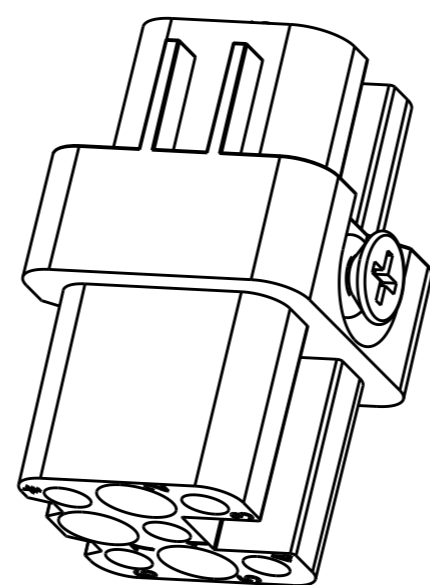
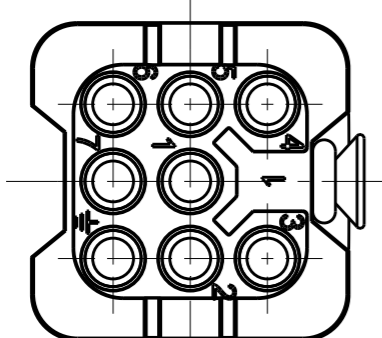
20

© COPYRIGHT 20 BY -

ALL RIGHTS RESERVED.

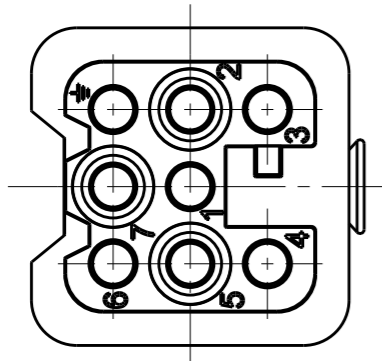
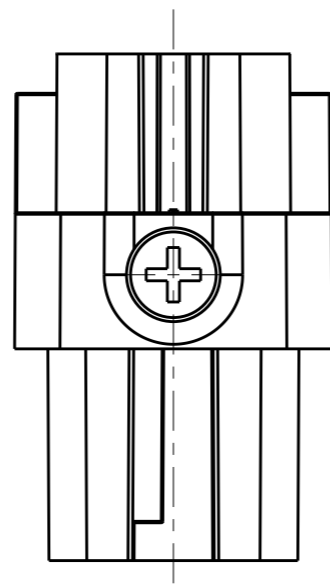
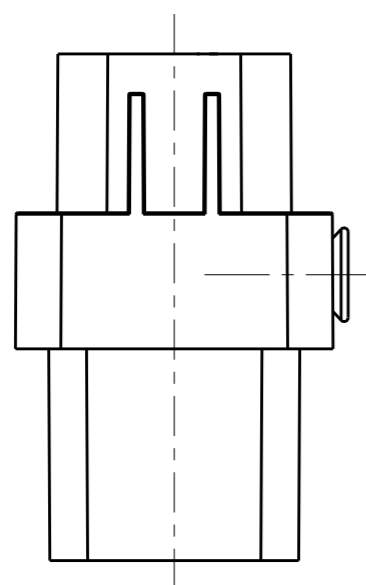
REVISIONS

P	LTR	DESCRIPTION	DATE	DWN	APVD
-		SEE SHEET 1	-	-	-



NOTE:  
SEE SHEET 1  
注释:  
见页 1

TYPE-2, T2020072201-001, STAINLESS STEEL SCREW, NO LOGO  
类型-2, T2020072201-001, 不锈钢螺丝, 无LOGO



T2020072201-001	HD-007-F	HD-007 FEMALE INSERT, STAINLESS STEEL SCREW, NO LOGO HD-007 母插, 不锈钢螺丝, 无LOGO	TYPE-2 类型-2
T2020072201-000	HD-007-F	HD-007 FEMALE INSERT HD-007 母插	TYPE-1 类型-1
PART NUMBER 料号	PART DESCRIPTION 描述		TYPE 类型

ALL DIMENSIONS ARE SAME AS TYPE 1,  
EXCEPT THOSE DEFINED IN THIS TYPE.  
除了在本类型中定义的尺寸外, 其它尺寸同类型 1

THIS DRAWING IS A CONTROLLED DOCUMENT.

DIMENSIONS:	TOLERANCES UNLESS OTHERWISE SPECIFIED:
mm	
	0 PLC ±-
	1 PLC ±-
	2 PLC ±-
	3 PLC ±-
	4 PLC ±-
	ANGLES ±-
MATERIAL	FINISH
-	-
-	-

DWN	16DEC2014
CHK	RAGHAVENDRA H M
APVD	16DEC2014
CHRIS WANG	
XU XIANG	
PRODUCT SPEC	108-137042
APPLICATION SPEC	114-137042
WEIGHT	-
CUSTOMER DRAWING	

TE Connectivity		NAME		RESTRICTED TO
		HD-007-F		
SIZE	CAGE CODE	DRAWING NO	RESTRICTED TO	
A3	-	©-T2020072201000	-	
SCALE		SHEET	OF	REV
2:1		2	2	B1

## X-ON Electronics

Largest Supplier of Electrical and Electronic Components

*Click to view similar products for [Heavy Duty Power Connectors](#) category:*

*Click to view products by [TE Connectivity](#) manufacturer:*

Other Similar products are found below :

[1424439](#) [1424438](#) [09330062652](#) [2-8675P1](#) [605601-1](#) [6340G1](#) [6341G1](#) [6360G1](#) [6373G1](#) [6374g2](#) [6396G1](#) [647757-1](#) [66394-4](#) [6643411-1](#)  
[6646058-2](#) [6646137-1](#) [6646138-1](#) [6646348-1](#) [6646479-1](#) [6646608-1](#) [6646786-1](#) [6646940-1](#) [6651091-1](#) [6651525-1](#) [6651529-1](#) [6651778-1](#)  
[6651788-1](#) [696465-1](#) [696475-1](#) [73000005059](#) [73000005349](#) [73000005642](#) [73080255059](#) [73080965046](#) [765-15-0080A](#) [765-16-0080B](#)  
[789.700-44](#) [789.700-54](#) [80-1010](#) [80-9](#) [827381-1](#) [829992-1](#) [902-77-02113](#) [PL00U-301-10D10](#) [PM103MOOLOO](#) [PM16S1620S32-50](#)  
[PM212MOOLOO](#) [PM309FOOLOO](#) [PM324FOOLCH](#) [PMHPAF11S03](#)