

REVISIONS

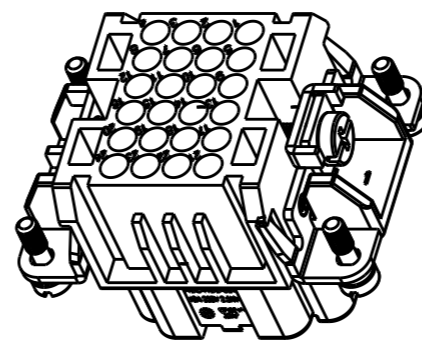
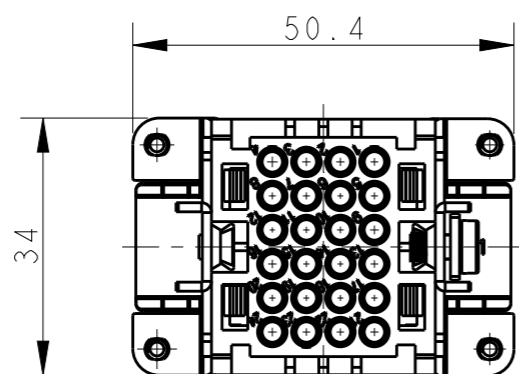
P	LTR	DESCRIPTION	DATE	DWN	APVD
A		INITIAL RELEASE	16MAR2015	DL	CW
B		ECR-15-013292	24SEP2015	DL	CW
B1		ECR-16-015492	15NOV2016	QY	CW

NOTES:

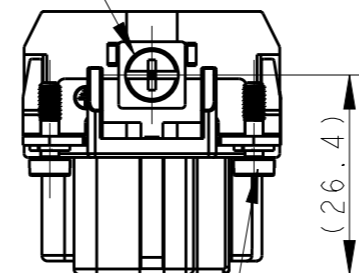
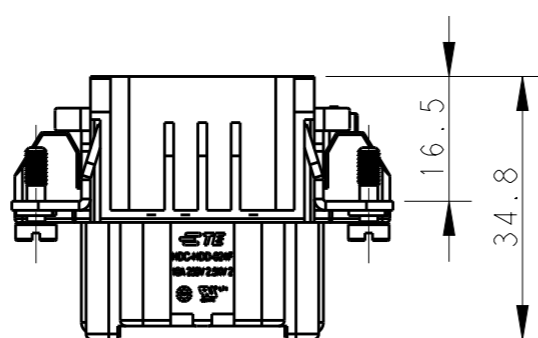
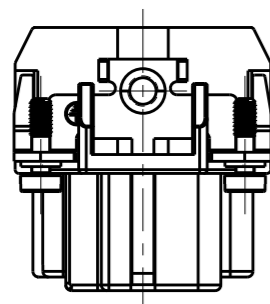
- TECHNICAL CHARACTERISTICS:  
 INSULATION MATERIAL: PC  
 RATED VOLTAGE: 250 V  
 RATED CURRENT: 10 A  
 INSULATION RESISTANCE:  $\geq 400M\Omega$   
 RATED IMPULSE VOLTAGE: 2.5 KV  
 POLLUTION DEGREE: 2  
 FLAMMABILITY: UL94V-0  
 MATING CYCLES: 500 CYCLES  
 WIRE RANGE: 0.14-2.5 mm<sup>2</sup> (26-14 AWG)  
 CONTACT TYPE: CRIMP CONTACT
- CONTACT NEED TO BE ORDERED SEPARATELY.  
 (ORDER No. REFER TO DRAWING: T20200X20XX000)

注释:

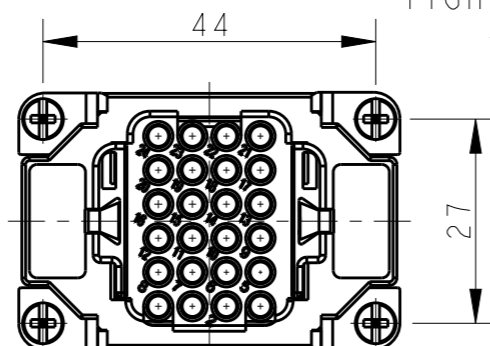
- 技术参数:  
 绝缘材料: PC  
 额定电压: 250V  
 额定电流: 10A  
 绝缘电阻:  $\geq 400M\Omega$   
 额定脉冲电压: 2.5 KV  
 污染等级: 2  
 阻燃等级: UL94V-0  
 插拔次数: 500次  
 接线范围: 0.14-2.5 mm<sup>2</sup> (26-14 AWG)  
 接线类型: 冷压接
- 端子需要单独订购.  
 (订货号参考图面: T20200X20XX000)



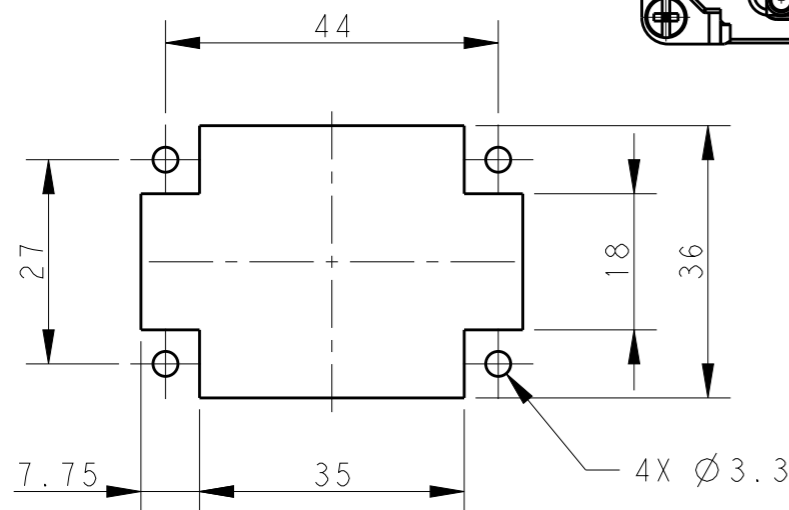
M4 SCREW RECOMMENDED  
 TIGHTENING TORQUE 1.2Nm  
 M4 螺丝, 推荐锁紧力矩1.2Nm




4X M3 SCREW RECOMMENDED  
 TIGHTENING TORQUE 0.5Nm  
 4X M3螺丝, 推荐锁紧力矩0.5Nm



TYPE-1, T2030242201-000, TE LOGO  
 类型-1, T2030242201-000, TE LOGO



PANEL CUT OUT FOR INSERTS FOR USING  
 WITHOUT HOODS/HOUSINGS  
 不用防护外壳时芯件的安装开孔图

THIS DRAWING IS A CONTROLLED DOCUMENT.		DWN DAVID LI 16MAR2015	 TE Connectivity	
DIMENSIONS: mm		CHK CHRIS WANG 16MAR2015		
TOLERANCES UNLESS OTHERWISE SPECIFIED:		APVD XU XIANG 16MAR2015	NAME HDD-024-F	
0 PLC ±-		PRODUCT SPEC 108-137043	SIZE A3	
1 PLC ±-		APPLICATION SPEC 114-137043	CAGE CODE -	DRAWING NO. T2030242201000
2 PLC ±-		WEIGHT -	RESTRICTED TO -	
3 PLC ±-		CUSTOMER DRAWING	SCALE 1:1	SHEET 1 OF 2
4 PLC ±-				REV B1
ANGLES ±-				
FINISH -				
MATERIAL -				

4

3

2

1

THIS DRAWING IS UNPUBLISHED.

RELEASED FOR PUBLICATION

20

© COPYRIGHT 20

BY -

ALL RIGHTS RESERVED.

REVISIONS

P	LTR	DESCRIPTION	DATE	DWN	APVD
-		SEE SHEET 1	-	-	-


NOTE:  
SEE SHEET 1

注释:  
见页 1

TYPE-2, T2030242201-002, STAINLESS STEEL SCREW, NO LOGO  
类型-2, T2030242201-002, 不锈钢螺丝, 无LOGO

T2030242201-002	HDD-024-F	HDD-024 FEMALE INSERT, CRIMPING SPLIT TYPE, STAINLESS STEEL SCREW, NO LOGO HDD-024 母插, 冷压针分体式, 不锈钢螺丝, 无LOGO	TYPE-2 类型-2
T2030242201-000	HDD-024-F	HDD-024 FEMALE INSERT, CRIMPING SPLIT TYPE HDD-024 母插, 冷压针分体式	TYPE-1 类型-1
PART NUMBER 料号	PART DESCRIPTION 描述		TYPE 类型

ALL DIMENSIONS ARE SAME AS TYPE 1,  
EXCEPT THOSE DEFINED IN THIS TYPE.  
除了在本类型中定义的尺寸外, 其它尺寸同类型 1

THIS DRAWING IS A CONTROLLED DOCUMENT.		DWN DAVID LI 16MAR2015	 TE Connectivity	
DIMENSIONS: mm		CHK CHRIS WANG 16MAR2015		
TOLERANCES UNLESS OTHERWISE SPECIFIED:		APVD XU XIANG 16MAR2015	NAME HDD-024-F	
0 PLC ±-		PRODUCT SPEC 108-137043	SIZE A3	
1 PLC ±-		APPLICATION SPEC 114-137043	CAGE CODE -	
2 PLC ±-		WEIGHT -	DRAWING NO T2030242201000	
3 PLC ±-		CUSTOMER DRAWING	RESTRICTED TO -	
4 PLC ±-			SCALE 1:1	
ANGLES ±-			SHEET 2 OF 2	
FINISH -			REV B1	
MATERIAL -				

1470-19 (3/13)

## X-ON Electronics

Largest Supplier of Electrical and Electronic Components

*Click to view similar products for [Heavy Duty Power Connectors](#) category:*

*Click to view products by [TE Connectivity](#) manufacturer:*

Other Similar products are found below :

[1424439](#) [1424438](#) [09330062652](#) [2-8675P1](#) [605601-1](#) [6340G1](#) [6341G1](#) [6360G1](#) [6373G1](#) [6374g2](#) [6396G1](#) [647757-1](#) [66394-4](#) [6643411-1](#)  
[6646058-2](#) [6646137-1](#) [6646138-1](#) [6646348-1](#) [6646479-1](#) [6646608-1](#) [6646786-1](#) [6646940-1](#) [6651091-1](#) [6651525-1](#) [6651529-1](#) [6651778-1](#)  
[6651788-1](#) [696465-1](#) [696475-1](#) [73000005059](#) [73000005349](#) [73000005642](#) [73080255059](#) [73080965046](#) [765-15-0080A](#) [765-16-0080B](#)  
[789.700-44](#) [789.700-54](#) [80-1010](#) [80-9](#) [827381-1](#) [829992-1](#) [902-77-02113](#) [PL00U-301-10D10](#) [PM103MOOLOO](#) [PM16S1620S32-50](#)  
[PM212MOOLOO](#) [PM309FOOLOO](#) [PM324FOOLCH](#) [PMHPAF11S03](#)