

THIS DRAWING IS UNPUBLISHED.

RELEASED FOR PUBLICATION

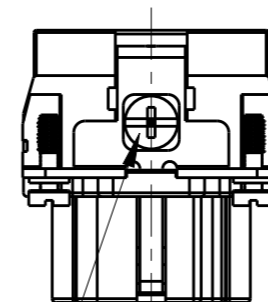
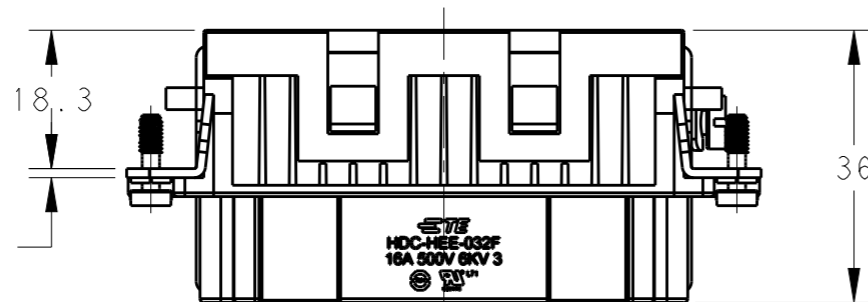
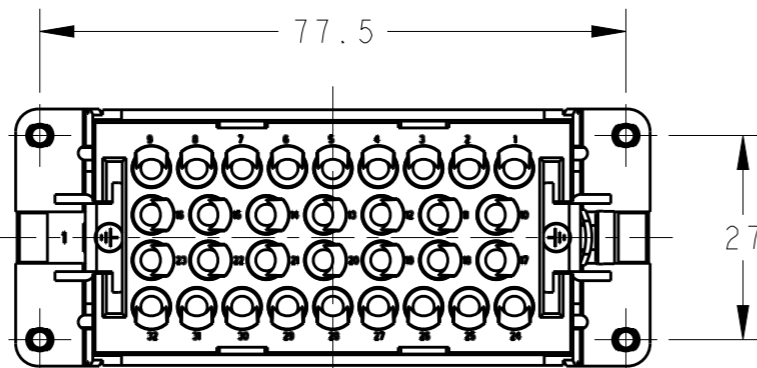
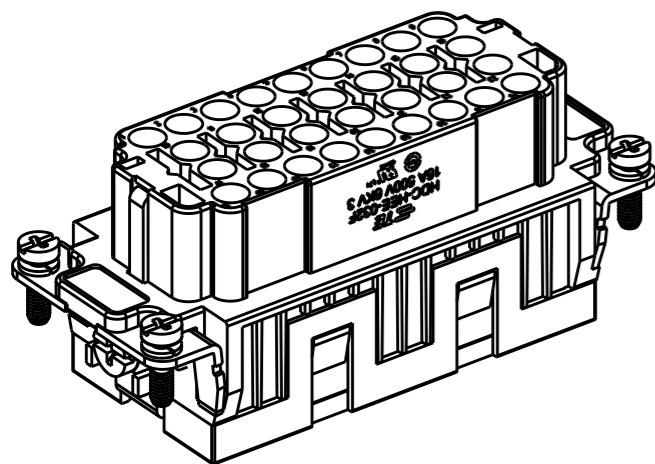
20

© COPYRIGHT 20 BY -

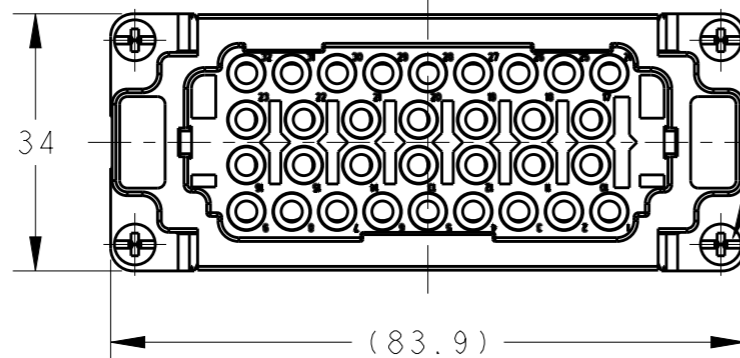
ALL RIGHTS RESERVED.

REVISIONS

P	LTR	DESCRIPTION	DATE	DWN	APVD
A2		ECR-15-004309	18MAR2015	DW	CW
A3		ECR-15-007632	25MAY2015	DW	CW
B		ECR-15-014907	14OCT2015	DL	CW
B1		ECR-16-015492	09NOV2016	QY	CW



(1.2)



M4 SCREW,  
RECOMMENDED  
TIGHTENING TORQUE 1.2Nm  
M4螺丝, 推荐锁紧力矩1.2Nm

4X M3 SCREW, RECOMMENDED  
TIGHTENING TORQUE 0.5Nm  
4X M3螺丝, 推荐锁紧力矩0.5Nm

NOTES:

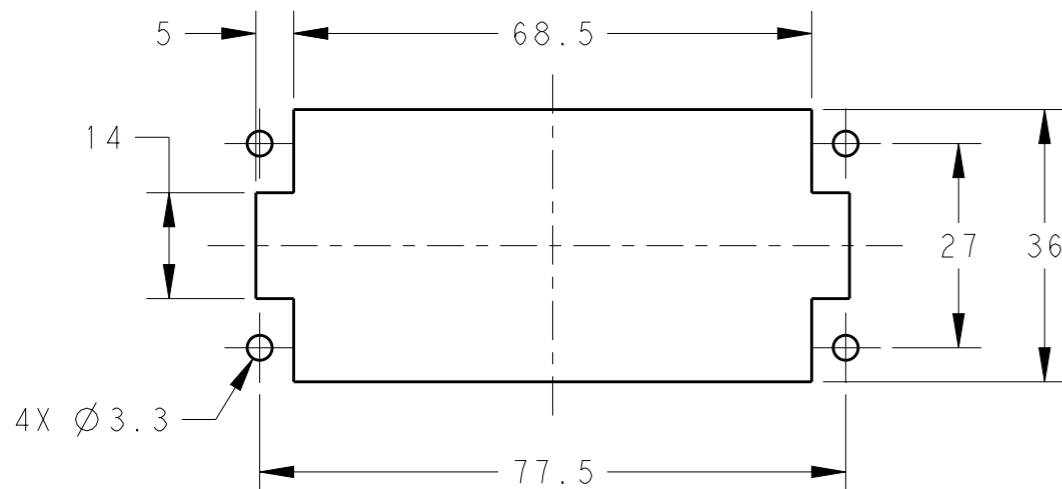
- TECHNICAL CHARACTERISTICS:  
INSULATION MATERIAL: PC  
RATED VOLTAGE: 500 V  
RATED CURRENT: 16 A  
INSULATION RESISTANCE:  $\geq 400M\Omega$   
RATED IMPULSE VOLTAGE: 6 KV  
POLLUTION DEGREE: 3  
FLAMMABILITY: UL94V-0  
MATING CYCLES: 500 CYCLES  
OPERATION TEMPERATURE:  $-40-+125^{\circ}C$   
WIRE RANGE: 0.14-4 mm<sup>2</sup> (26-12 AWG)  
CONTACT TYPE: CRIMP CONTACT
- CONTACT NEED TO BE ORDERED SEPARATELY.  
(ORDER No. REFER TO DRAWING:T20300X20XX000)

注释:

- 技术参数:  
绝缘材料: PC  
额定电压: 500V  
额定电流: 16A  
绝缘电阻:  $\geq 400M\Omega$   
额定脉冲电压: 6 KV  
污染等级: 3  
阻燃等级: UL94V-0  
插拔次数: 500次  
工作温度:  $-40-+125^{\circ}C$   
接线范围: 0.14-4 mm<sup>2</sup> (26-12 AWG)  
接线类型: 冷压接
- 端子需要单独订购。  
(订货号参考图面: T20300X20XX000)

PANEL CUT FOR INSERTS FOR USE  
WITHOUT HOODS/ HOUSINGS  
不使用防护外壳时芯件的安装开孔图

TYPE-1, T2050322201-000, WITH TE LOGO  
类型-1, T2050322201-000, 带TE LOGO



THIS DRAWING IS A CONTROLLED DOCUMENT.

DIMENSIONS:	TOLERANCES UNLESS OTHERWISE SPECIFIED:
mm	0 PLC ±0.1
	1 PLC ±0.15
	2 PLC ±0.2
	3 PLC ±0.25
	4 PLC ±0.3
	ANGLES ±0.5
MATERIAL	FINISH
-	-

DWN	11JUN2014
David Wang	
CHK	11JUN2014
Chris Wang	
APVD	11JUN2014
Xiang Xu	
PRODUCT SPEC	108-106137
APPLICATION SPEC	114-106137
WEIGHT	-
Customer Drawing	



NAME		HEE-032-F	
SIZE	CAGE CODE	DRAWING NO	RESTRICTED TO
A3	00779	T2050322201000	-
SCALE		SHEET	REV
1:1		1 OF 2	B1

4

3

2

1

THIS DRAWING IS UNPUBLISHED.

RELEASED FOR PUBLICATION

20

© COPYRIGHT 20

BY -

ALL RIGHTS RESERVED.

REVISIONS

P	LTR	DESCRIPTION	DATE	DWN	APVD
-		SEE SHEET 1	-	-	-

NOTE:  
ALL SPEC REFER TO TYPE 1

注释:  
所有产品规范参照 TYPE 1

TYPE-2, T2050322201-001, WITH STAINLESS STEEL SCREW, WITHOUT LOGO  
类型-2, T2050322201-001, 带不锈钢螺丝, 无LOGO

T2050322201-001	HEE-032-F	HEE-032 FEMALE INSERT, WITH STAINLESS STEEL SCREW, WITHOUT LOGO HEE-032 母插, 带不锈钢螺丝, 无LOGO	TYPE-2 类型-2
T2050322201-000	HEE-032-F	HEE-032 FEMALE INSERT HEE-032 母插	TYPE-1 类型-1
PART NUMBER 料号	PART DESCRIPTION 描述		TYPE 类型

THIS DRAWING IS A CONTROLLED DOCUMENT.		DWN 11 JUN 2014 David Wang		
DIMENSIONS: mm		CHK 11 JUN 2014 Chris Wang		
TOLERANCES UNLESS OTHERWISE SPECIFIED:		APVD 11 JUN 2014 Xiang Xu	NAME HEE-032-F	
0 PLC ±-		PRODUCT SPEC 108-106137	SIZE CAGE CODE DRAWING NO RESTRICTED TO	
1 PLC ±-		APPLICATION SPEC 114-106137	A3 00779 © T2050322201000 -	
2 PLC ±-		WEIGHT -	SCALE 1:1 SHEET 2 OF 2 REV B1	
3 PLC ±-		Customer Drawing		
4 PLC ±-				
ANGLES ±-				
FINISH				
-				
-				

1470-19 (3/13)

## X-ON Electronics

Largest Supplier of Electrical and Electronic Components

*Click to view similar products for [Heavy Duty Power Connectors](#) category:*

*Click to view products by [TE Connectivity](#) manufacturer:*

Other Similar products are found below :

[1424439](#) [1424438](#) [09330062652](#) [2-8675P1](#) [605601-1](#) [6340G1](#) [6341G1](#) [6360G1](#) [6373G1](#) [6374g2](#) [6396G1](#) [647757-1](#) [66394-4](#) [6643411-1](#)  
[6646058-2](#) [6646137-1](#) [6646138-1](#) [6646348-1](#) [6646479-1](#) [6646608-1](#) [6646786-1](#) [6646940-1](#) [6651091-1](#) [6651525-1](#) [6651529-1](#) [6651778-1](#)  
[6651788-1](#) [696465-1](#) [696475-1](#) [73000005059](#) [73000005349](#) [73000005642](#) [73080255059](#) [73080965046](#) [765-15-0080A](#) [765-16-0080B](#)  
[789.700-44](#) [789.700-54](#) [80-1010](#) [80-9](#) [827381-1](#) [829992-1](#) [902-77-02113](#) [PL00U-301-10D10](#) [PM103MOOLOO](#) [PM16S1620S32-50](#)  
[PM212MOOLOO](#) [PM309FOOLOO](#) [PM324FOOLCH](#) [PMHPAF11S03](#)