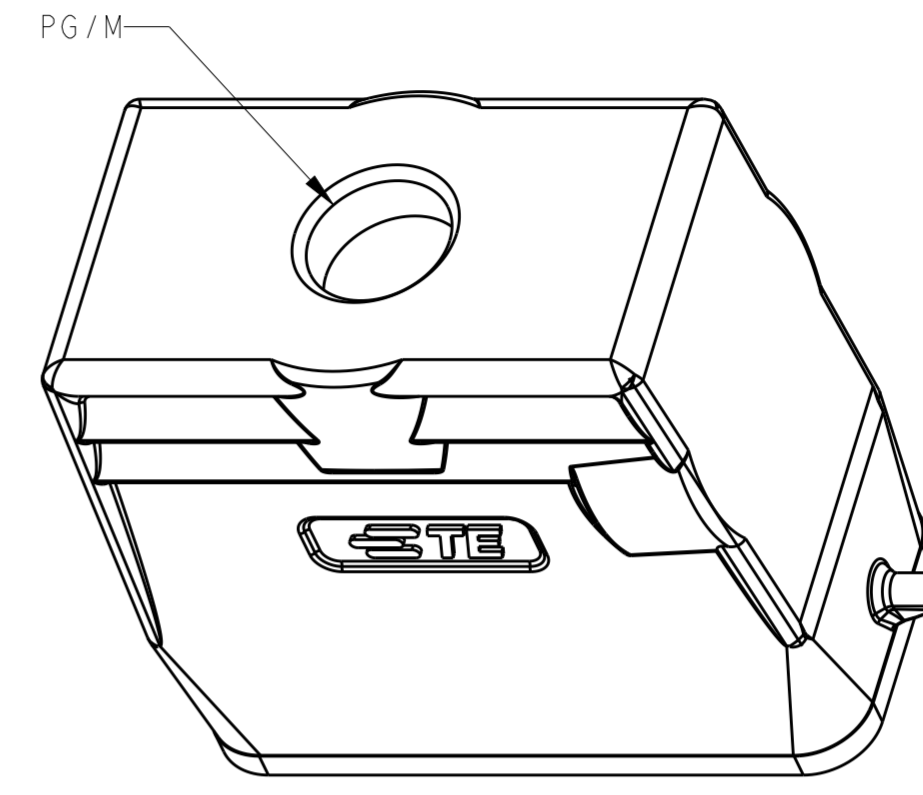
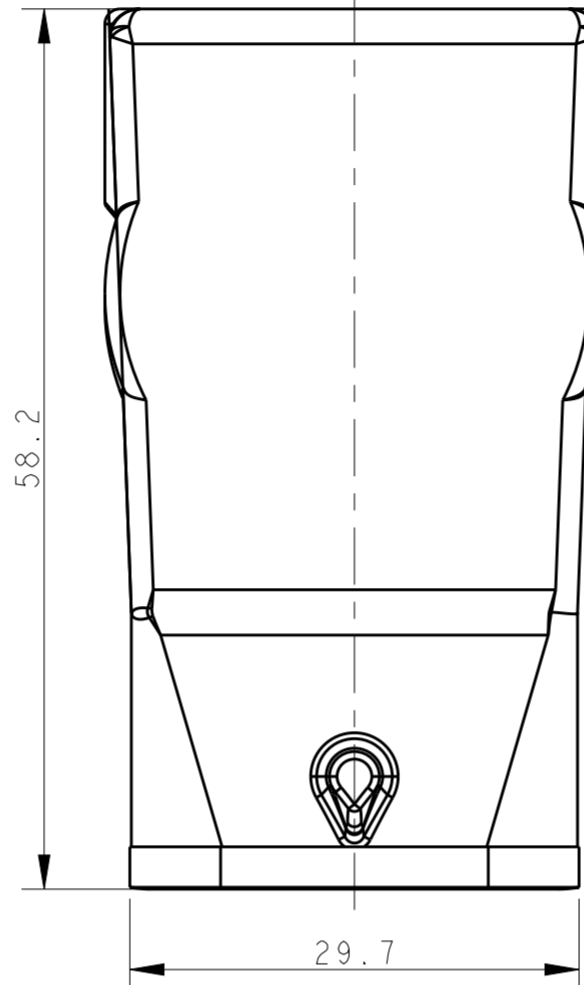
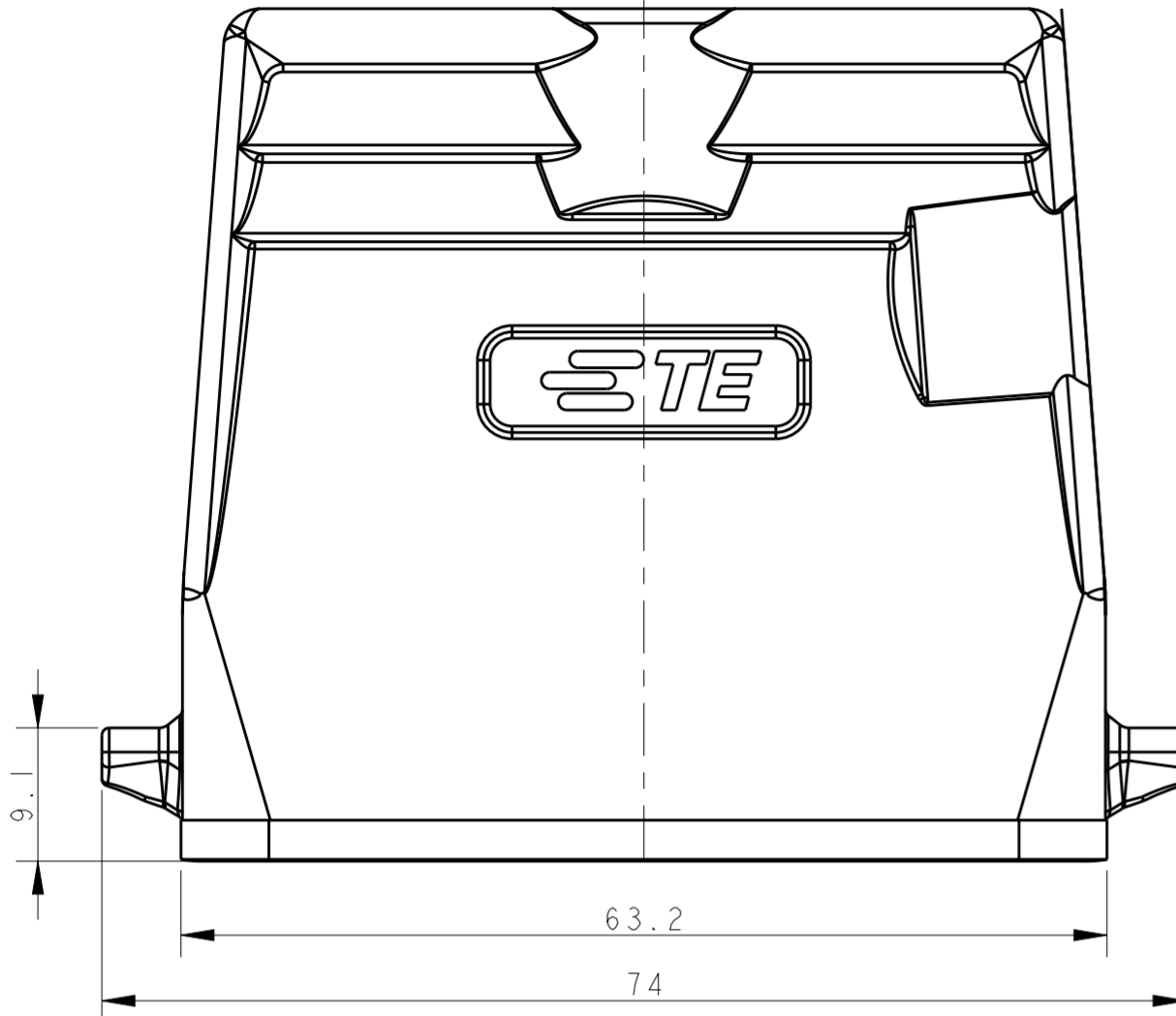


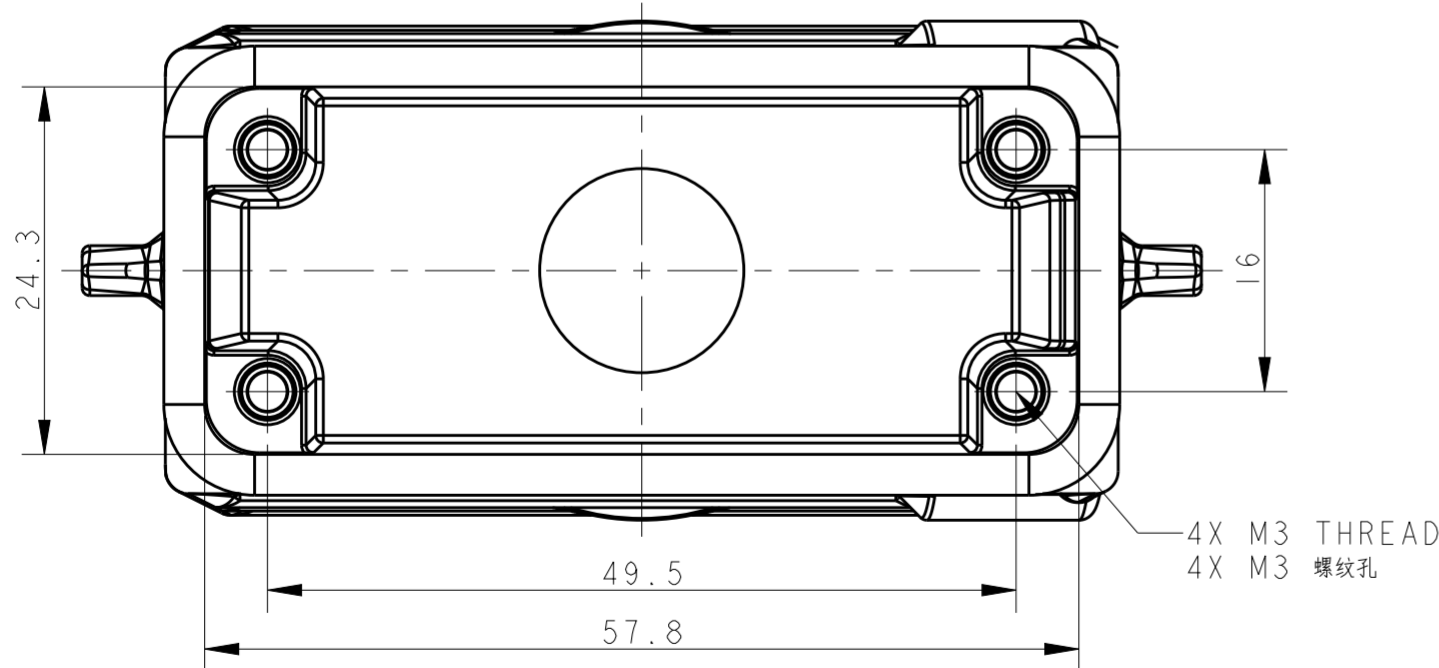
THIS DRAWING IS UNPUBLISHED. RELEASED FOR PUBLICATION 20  
 © COPYRIGHT 20 BY - ALL RIGHTS RESERVED.

REVISIONS				
P	LTR	DESCRIPTION	DATE	APVD
A		INITIAL RELEASE	05MAY2015	DL XX
AI		ECR-18-008950	10AUG2018	KW CW



NOTES:  
 1. TECHNICAL CHARACTERISTICS:  
 BODY MATERIAL: DIE CAST ALUMINIUM ALLOY  
 SURFACE TREATMENT: POWDER-COATED, GRAY  
 DEGREE OF PROTECTION: IP65 (MATED)

注释:  
 1. 技术参数:  
 主体材料: 铝合金  
 表面处理: 粉末喷涂, 灰色  
 防护等级: IP65(配合)



T1329100113-000	H10A-TG-PG13.5	H10A HOOD, TOP ENTRY PG13.5, 2 EAR, POWDER COATED, GREY H10A上壳, 顶出PG13.5, 2耳, 灰色粉末喷涂	PG13.5
T1329100116-000	H10A-TG-PG16	H10A HOOD, TOP ENTRY PG16, 2 EAR, POWDER COATED, GREY H10A上壳, 顶出PG16, 2耳, 灰色粉末喷涂	PG16
T1329100116-100	H10A-TG-M16	H10A HOOD, TOP ENTRY M16, 2 EAR, POWDER COATED, GREY H10A上壳, 顶出M16, 2耳, 灰色粉末喷涂	M16
T1329100120-000	H10A-TG-M20	H10A HOOD, TOP ENTRY M20, 2 EAR, POWDER COATED, GREY H10A上壳, 顶出M20, 2耳, 灰色粉末喷涂	M20
T1329100121-000	H10A-TG-PG21	H10A HOOD, TOP ENTRY PG21, 2 EAR, POWDER COATED, GREY H10A上壳, 顶出PG21, 2耳, 灰色粉末喷涂	PG21
T1329100125-000	H10A-TG-M25	H10A HOOD, TOP ENTRY M25, 2 EAR, POWDER COATED, GREY H10A上壳, 顶出M25, 2耳, 灰色粉末喷涂	M25
T1329107112-000	H10A-TG-NPT1/2	H10A HOOD, TOP ENTRY NPT1/2, 2 EAR, POWDER COATED, GREY H10A上壳, 顶出NPT1/2, 2耳, 灰色粉末喷涂	NPT1/2
PART NUMBER 料号	PART DESCRIPTION 描述		PG/M THREAD PG/M 螺纹

THIS DRAWING IS A CONTROLLED DOCUMENT.		DWN DAVID LI 05MAY2015	TE Connectivity	
		CHK CHRIS WANG 05MAY2015		
DIMENSIONS: mm		APVD XU XIANG 05MAY2015	NAME H10A-TG-PG/M	
TOLERANCES UNLESS OTHERWISE SPECIFIED:		PRODUCT SPEC 108-137010	SIZE A2	
0 PLC ±		APPLICATION SPEC 114-137010	CAGE CODE -	
1 PLC ±		WEIGHT -	DRAWING NO. C-T132910X1XXX00	
2 PLC ±		CUSTOMER DRAWING	RESTRICTED TO	
3 PLC ±			SCALE 2:1	
4 PLC ±			SHEET 1 OF 1	
ANGLES ±			REV A1	
FINISH -				

## X-ON Electronics

Largest Supplier of Electrical and Electronic Components

*Click to view similar products for [Heavy Duty Power Connectors](#) category:*

*Click to view products by [TE Connectivity](#) manufacturer:*

Other Similar products are found below :

[1424439](#) [1424438](#) [09330062652](#) [2-8675P1](#) [605601-1](#) [6340G1](#) [6341G1](#) [6360G1](#) [6373G1](#) [6374g2](#) [6396G1](#) [647757-1](#) [66394-4](#) [6643411-1](#)  
[6646058-2](#) [6646137-1](#) [6646138-1](#) [6646348-1](#) [6646479-1](#) [6646608-1](#) [6646786-1](#) [6646940-1](#) [6651091-1](#) [6651525-1](#) [6651529-1](#) [6651778-1](#)  
[6651788-1](#) [696465-1](#) [696475-1](#) [73000005059](#) [73000005349](#) [73000005642](#) [73080255059](#) [73080965046](#) [765-15-0080A](#) [765-16-0080B](#)  
[789.700-44](#) [789.700-54](#) [80-1010](#) [80-9](#) [827381-1](#) [829992-1](#) [902-77-02113](#) [PL00U-301-10D10](#) [PM103MOOLOO](#) [PM16S1620S32-50](#)  
[PM212MOOLOO](#) [PM309FOOLOO](#) [PM324FOOLCH](#) [PMHPAF11S03](#)