

THIS DRAWING IS UNPUBLISHED.

RELEASED FOR PUBLICATION

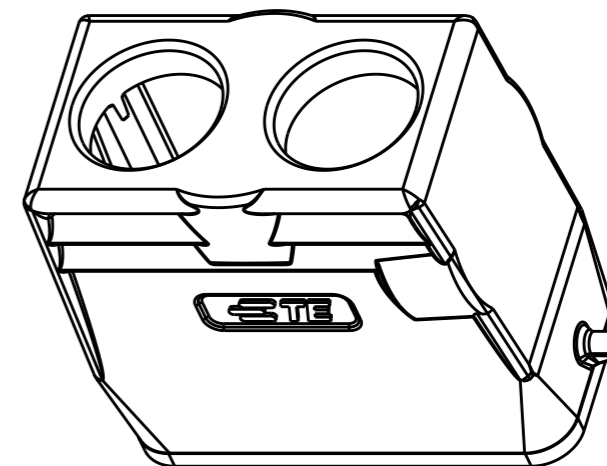
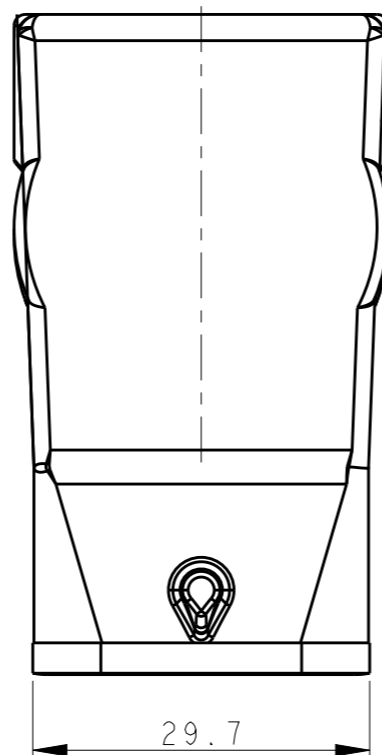
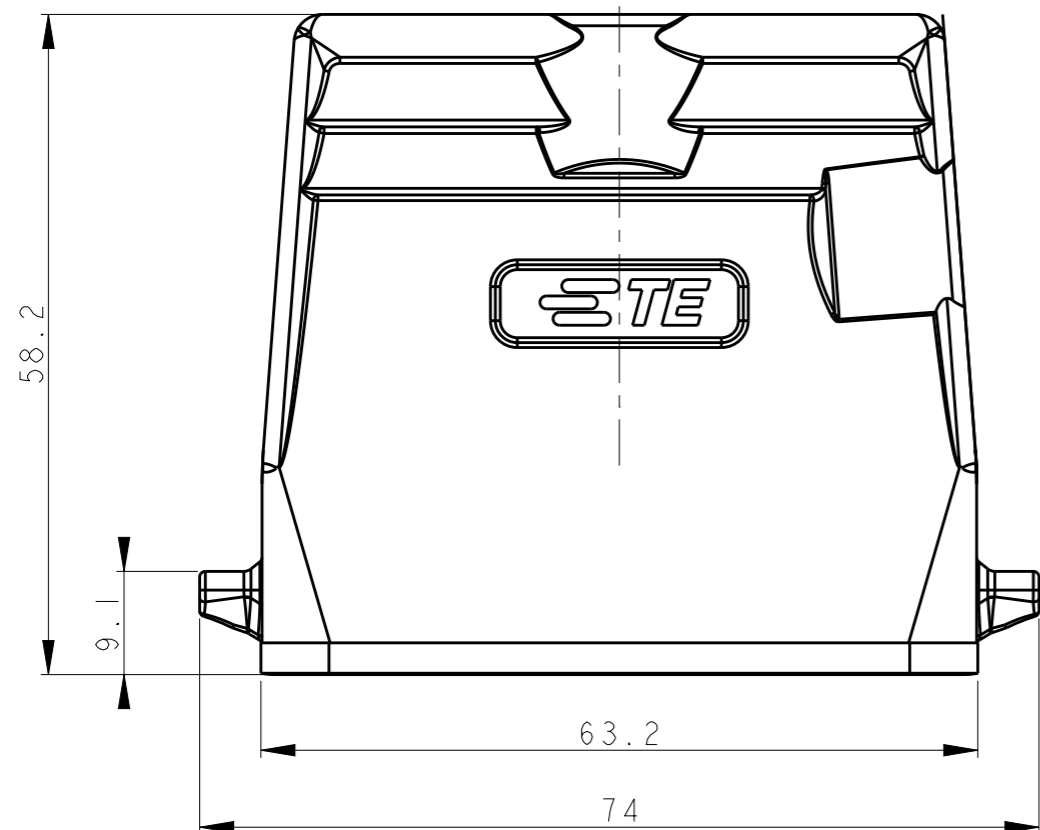
20

© COPYRIGHT 20 BY -

ALL RIGHTS RESERVED.

REVISIONS

| P | LTR | DESCRIPTION | DATE | DWN | APVD |
|---|-----|-----------------|-----------|-----|------|
| | A | INITIAL RELEASE | 05MAY2015 | DL | CW |
| | | | | | |
| | | | | | |



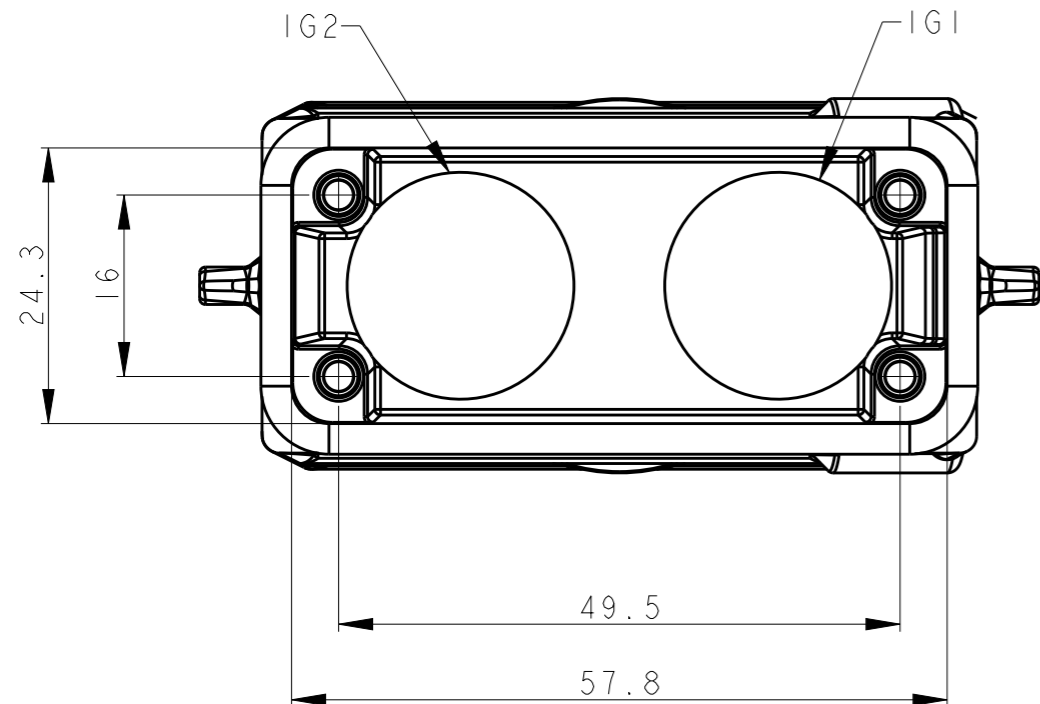
SCALE 1:1

NOTES:

- 1. TECHNICAL CHARACTERISTICS:
 BODY MATERIAL: DIE CAST ALUMINIUM ALLOY
 SURFACE TREATMENT: POWDER-COATED, GRAY
 OPERATION TEMPERATURE: -40-+125°C
 DEGREE OF PROTECTION: IP65 (MATED)

注释:

- 1. 技术参数:
 主体材料: 铝合金
 表面处理: 粉末喷涂, 灰色
 工作温度: -40-+125°C
 防护等级: IP65(配合)



| | | | |
|----------------------|---------------------------|-----|-----|
| T1329100220-000 | H10A-TG-2M20 | M20 | M20 |
| ASSEMBLY PART NUMBER | ASSEMBLY PART DESCRIPTION | IG1 | IG2 |

| | | | | |
|--|--|-----------------------------|----------------------------|--|
| THIS DRAWING IS A CONTROLLED DOCUMENT. | | DWN 22APR2015 DAVID LI | STE TE Connectivity | |
| DIMENSIONS: mm | | CHK 22APR2015 CHRIS WANG | | |
| TOLERANCES UNLESS OTHERWISE SPECIFIED: | | APVD 22APR2015 XU XIANG | NAME H10A-TG-2M20 | |
| 0 PLC ±- | | PRODUCT SPEC | 108-137010 | |
| 1 PLC ±- | | APPLICATION SPEC | 114-137010 | |
| 2 PLC ±- | | WEIGHT | - | |
| 3 PLC ±- | | SIZE | A3 | |
| 4 PLC ±- | | CAGE CODE | - | |
| ANGLES ±- | | DRAWING NO | C-T1329100220000 | |
| FINISH | | RESTRICTED TO | - | |
| MATERIAL | | SCALE | 3:2 | |
| - | | SHEET | 1 OF 1 | |
| - | | REV | A | |

X-ON Electronics

Largest Supplier of Electrical and Electronic Components

Click to view similar products for [Heavy Duty Power Connectors](#) category:

Click to view products by [TE Connectivity](#) manufacturer:

Other Similar products are found below :

[1424439](#) [1424438](#) [09330062652](#) [2-8675P1](#) [605601-1](#) [6340G1](#) [6341G1](#) [6360G1](#) [6373G1](#) [6374g2](#) [6396G1](#) [647757-1](#) [66394-4](#) [6643411-1](#)
[6646058-2](#) [6646137-1](#) [6646138-1](#) [6646348-1](#) [6646479-1](#) [6646608-1](#) [6646786-1](#) [6646940-1](#) [6651091-1](#) [6651525-1](#) [6651529-1](#) [6651778-1](#)
[6651788-1](#) [696465-1](#) [696475-1](#) [73000005059](#) [73000005349](#) [73000005642](#) [73080255059](#) [73080965046](#) [765-15-0080A](#) [765-16-0080B](#)
[789.700-44](#) [789.700-54](#) [80-1010](#) [80-9](#) [827381-1](#) [829992-1](#) [902-77-02113](#) [PL00U-301-10D10](#) [PM103MOOLOO](#) [PM16S1620S32-50](#)
[PM212MOOLOO](#) [PM309FOOLOO](#) [PM324FOOLCH](#) [PMHPAF11S03](#)