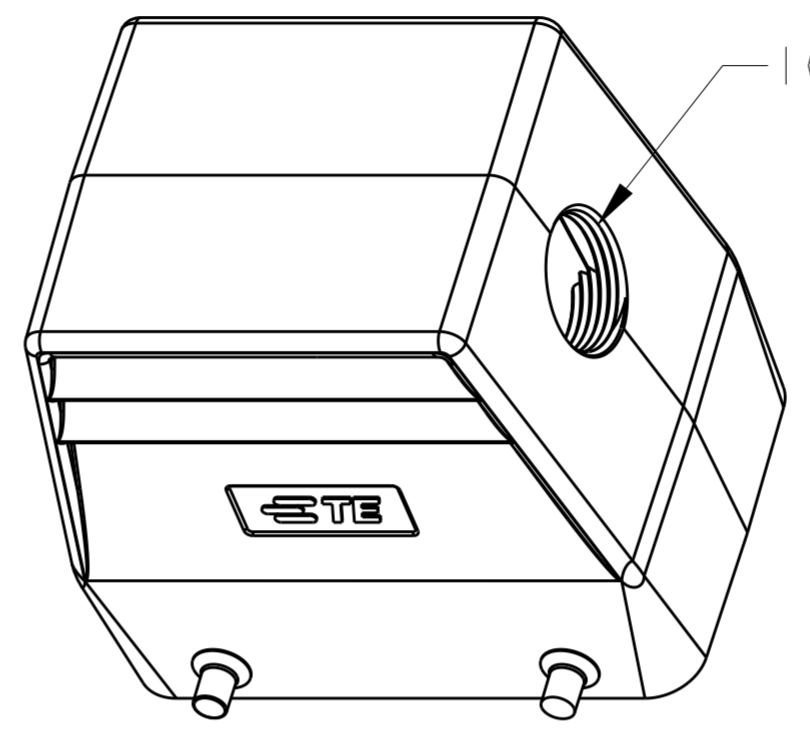
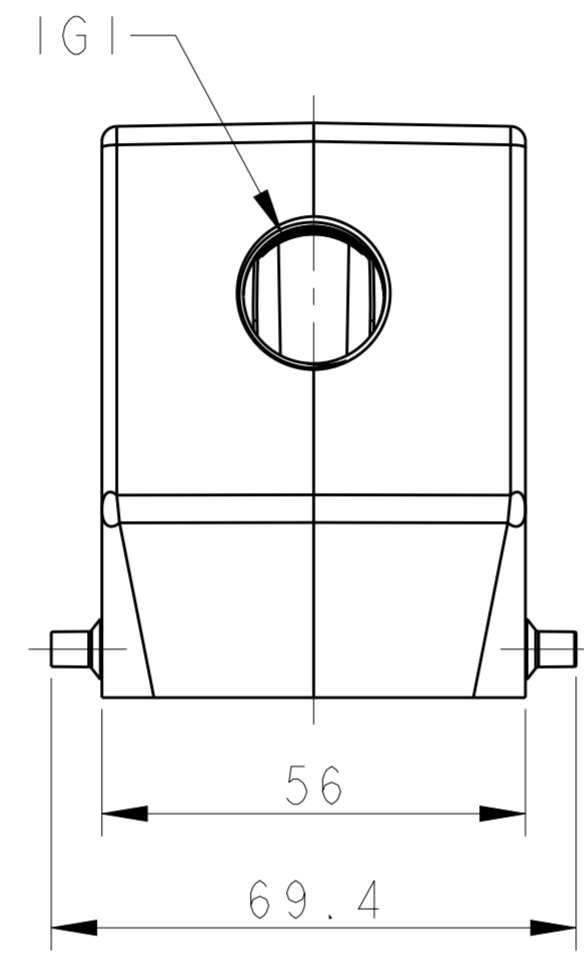
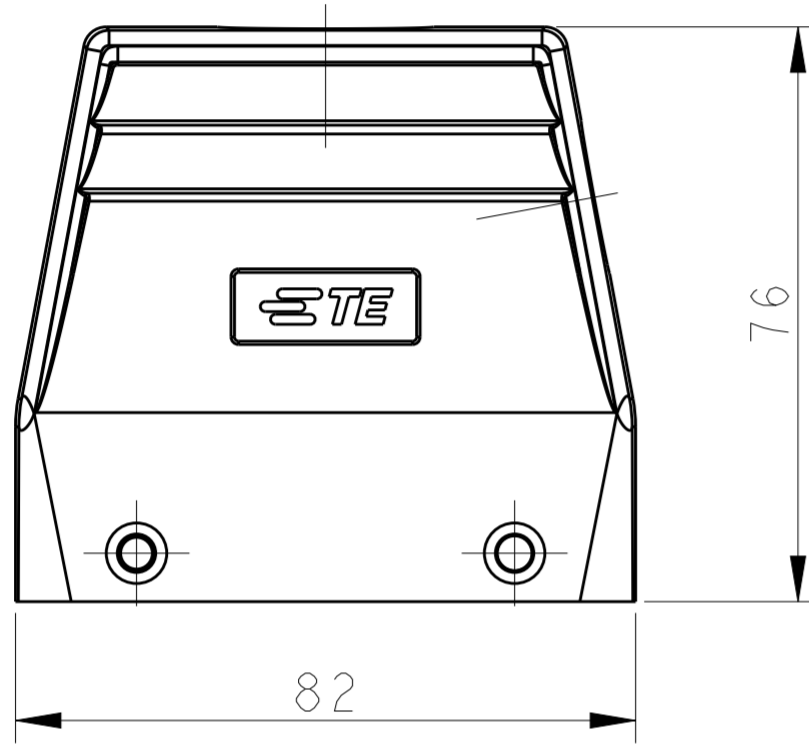
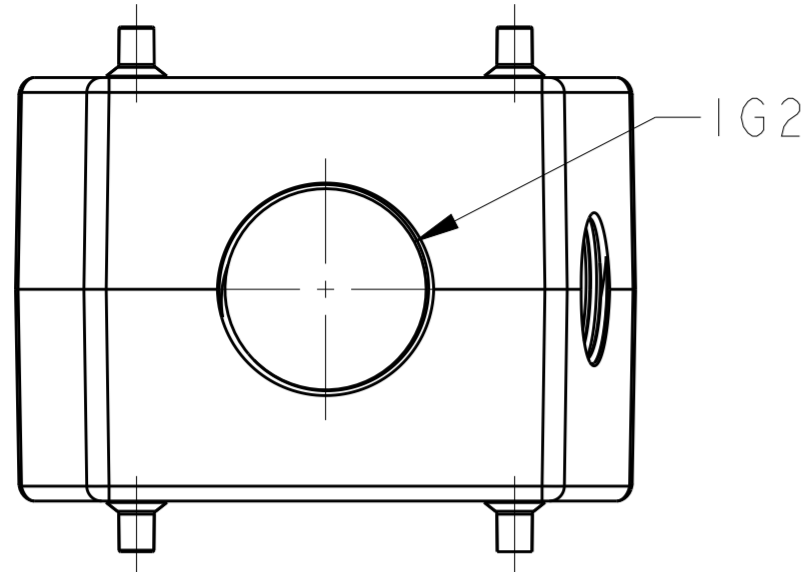
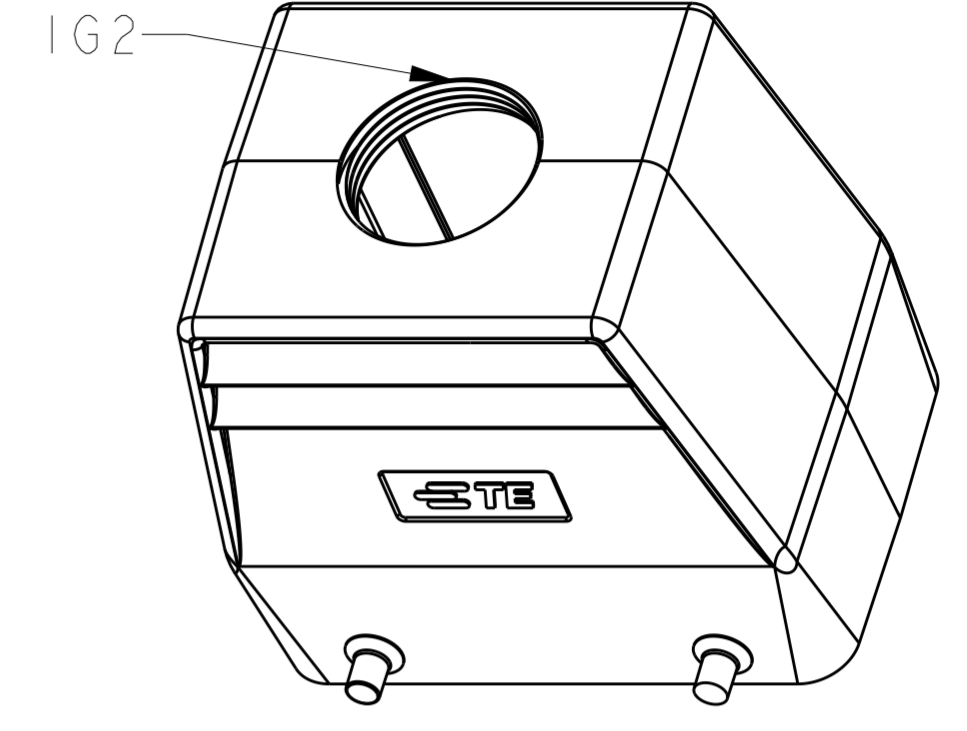


THIS DRAWING IS UNPUBLISHED. RELEASED FOR PUBLICATION 20
 © COPYRIGHT 20 BY - ALL RIGHTS RESERVED.

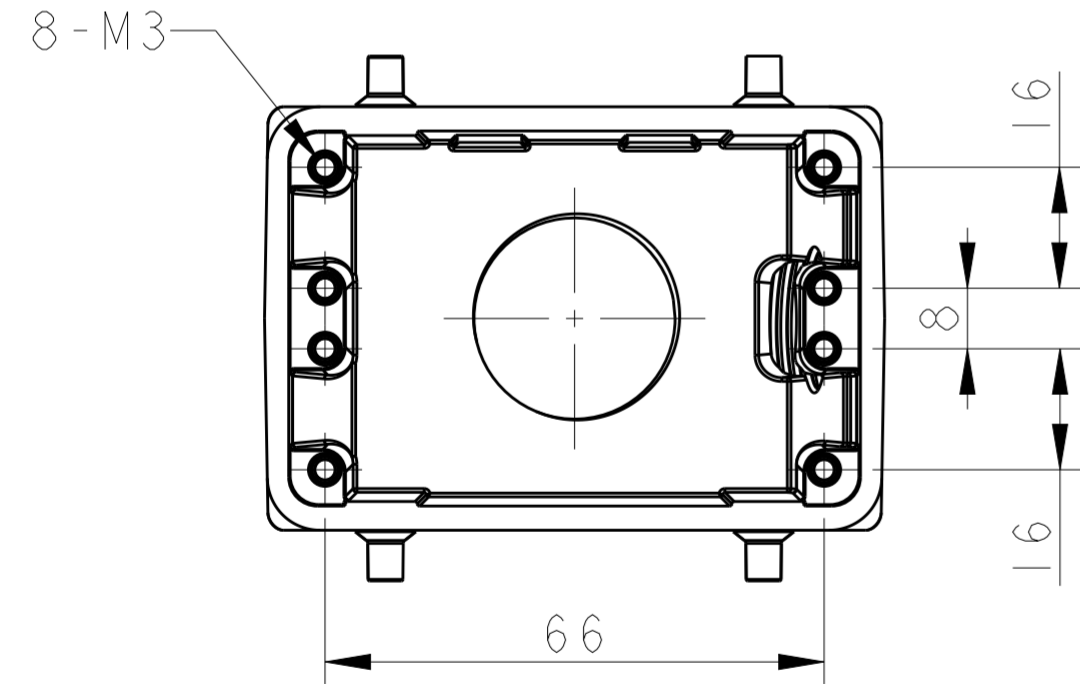
REVISIONS				
P	LTR	DESCRIPTION	DATE	APVD
A		INITIAL RELEASE	11MAY2015	DL CW



TYPE 1 SIDE ENTRY



TYPE 2 TOP ENTRY



NOTES:
 1. TECHNICAL CHARACTERISTICS:
 BODY MATERIAL: DIE CAST ALUMINIUM ALLOY
 SURFACE TREATMENT: POWDER-COATED, GRAY
 OPERATION TEMPERATURE: -40-+125°C
 DEGREE OF PROTECTION: IP65 (MATED)

注释:
 1. 技术参数:
 主体材料: 铝合金
 表面处理: 粉末喷涂, 灰色
 工作温度: -40-+125°C
 防护等级: IP65(配合)

T1319320116-000	TYPE 1	H32A-TS-PG16	PG16	-
T1319320120-000		H32A-TS-M20	M20	-
T1319320121-000		H32A-TS-PG21	PG21	-
T1319320125-000		H32A-TS-M25	M25	-
T1319320129-000		H32A-TS-PG29	PG29	-
T1319320132-000		H32A-TS-M32	M32	-
T1319320140-000		H32A-TS-M40	M40	-
T1329320121-000		TYPE 2	H32A-TG-PG21	-
T1329320125-000	H32A-TG-M25		-	M25
T1329320129-000	H32A-TG-PG29		-	PG29
T1329320132-000	H32A-TG-M32		-	M32
T1329320140-000	H32A-TG-M40		-	M40
T1329320150-000		H32A-TG-M50	-	M50
ASSEMBLY PART NUMBER	TYPE	ASSEMBLY PART DESCRIPTION	IG1	IG2

THIS DRAWING IS A CONTROLLED DOCUMENT.		DWN DAVID LI 11MAY2015	TE Connectivity	
		CHK CHRIS WANG 11MAY2015		
		APVD XU XIANG 11MAY2015	NAME H32A-TS/TG-PG/M	
DIMENSIONS: mm		PRODUCT SPEC 108-137010	SIZE A2	
TOLERANCES UNLESS OTHERWISE SPECIFIED:		APPLICATION SPEC 114-137010	CAGE CODE -	
0 PLC ±		WEIGHT -	DRAWING NO. C-T13X93201XX000	
1 PLC ±		Customer Drawing	RESTRICTED TO -	
2 PLC ±			SCALE 1:1	
3 PLC ±			SHEET OF	
4 PLC ±			REV A	
ANGLES ±				
FINISH -				

X-ON Electronics

Largest Supplier of Electrical and Electronic Components

Click to view similar products for [Heavy Duty Power Connectors](#) category:

Click to view products by [TE Connectivity](#) manufacturer:

Other Similar products are found below :

[1424439](#) [1424438](#) [09330062652](#) [2-8675P1](#) [605601-1](#) [6340G1](#) [6341G1](#) [6360G1](#) [6373G1](#) [6374g2](#) [6396G1](#) [647757-1](#) [66394-4](#) [6643411-1](#)
[6646058-2](#) [6646137-1](#) [6646138-1](#) [6646348-1](#) [6646479-1](#) [6646608-1](#) [6646786-1](#) [6646940-1](#) [6651091-1](#) [6651525-1](#) [6651529-1](#) [6651778-1](#)
[6651788-1](#) [696465-1](#) [696475-1](#) [73000005059](#) [73000005349](#) [73000005642](#) [73080255059](#) [73080965046](#) [765-15-0080A](#) [765-16-0080B](#)
[789.700-44](#) [789.700-54](#) [80-1010](#) [80-9](#) [827381-1](#) [829992-1](#) [902-77-02113](#) [PL00U-301-10D10](#) [PM103MOOLOO](#) [PM16S1620S32-50](#)
[PM212MOOLOO](#) [PM309FOOLOO](#) [PM324FOOLCH](#) [PMHPAF11S03](#)