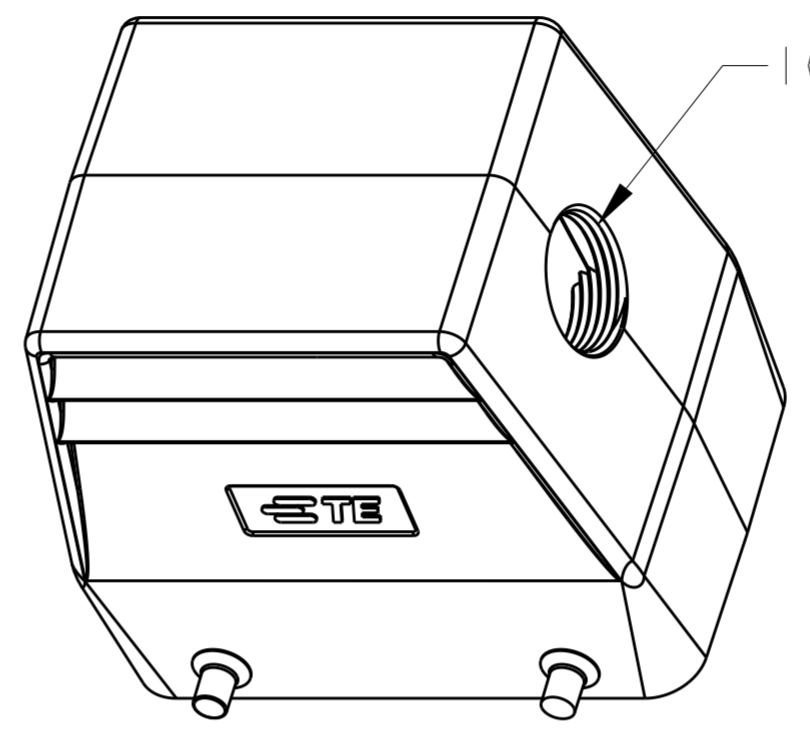
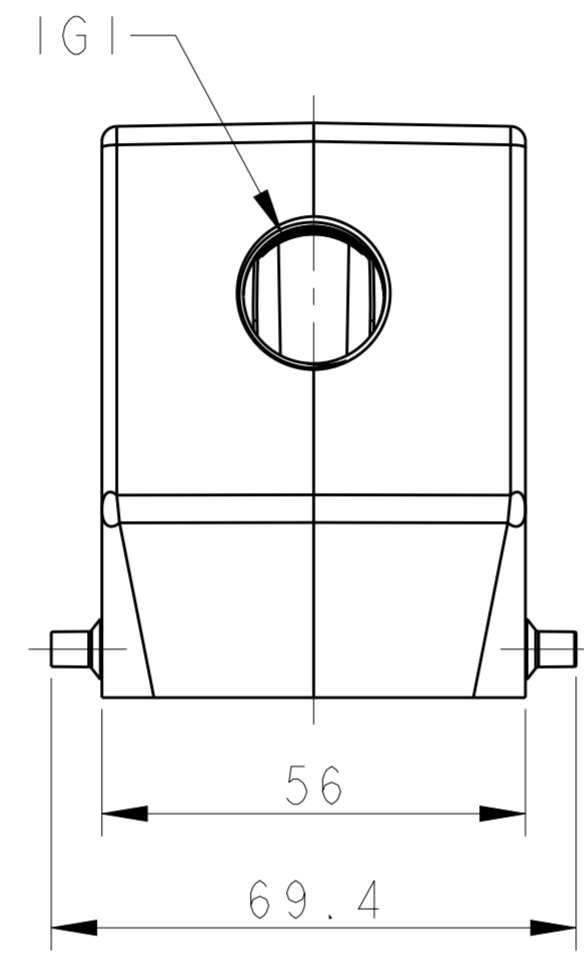
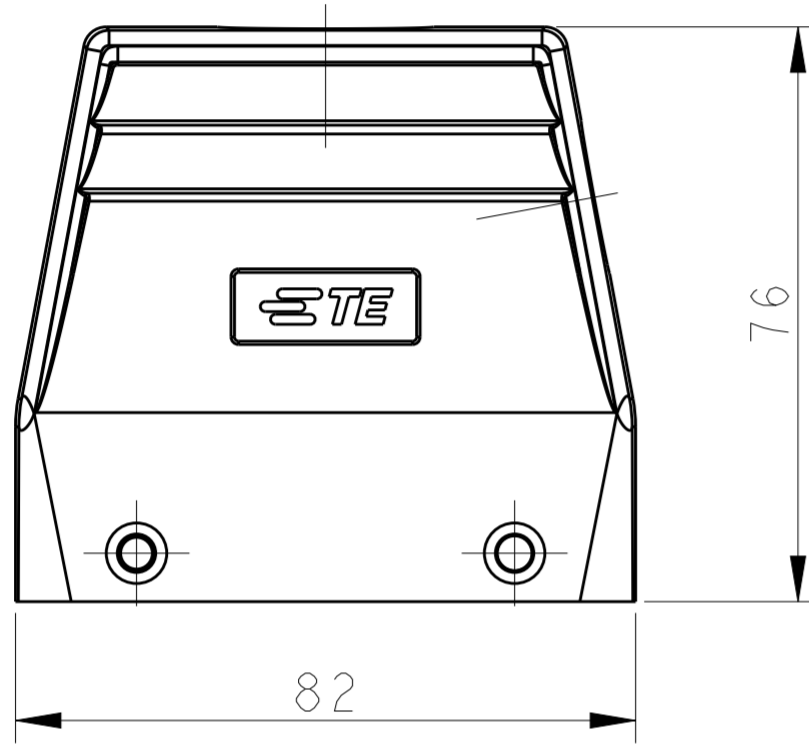
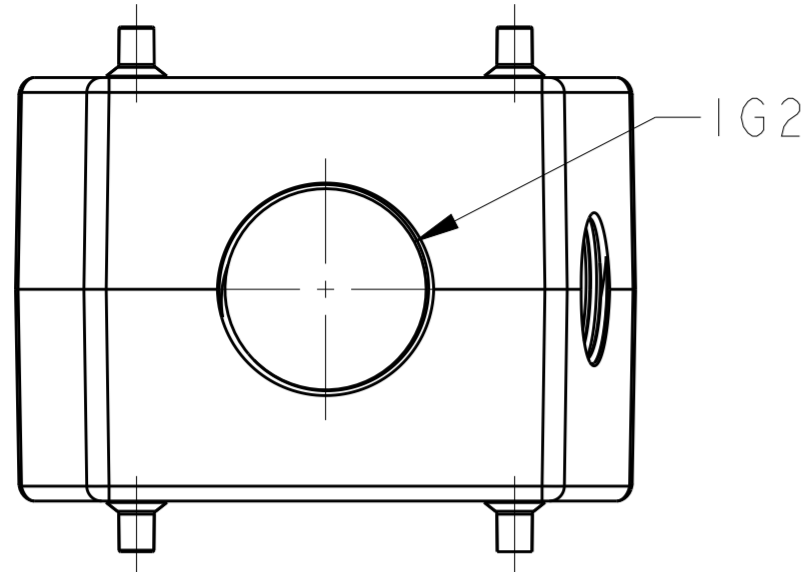
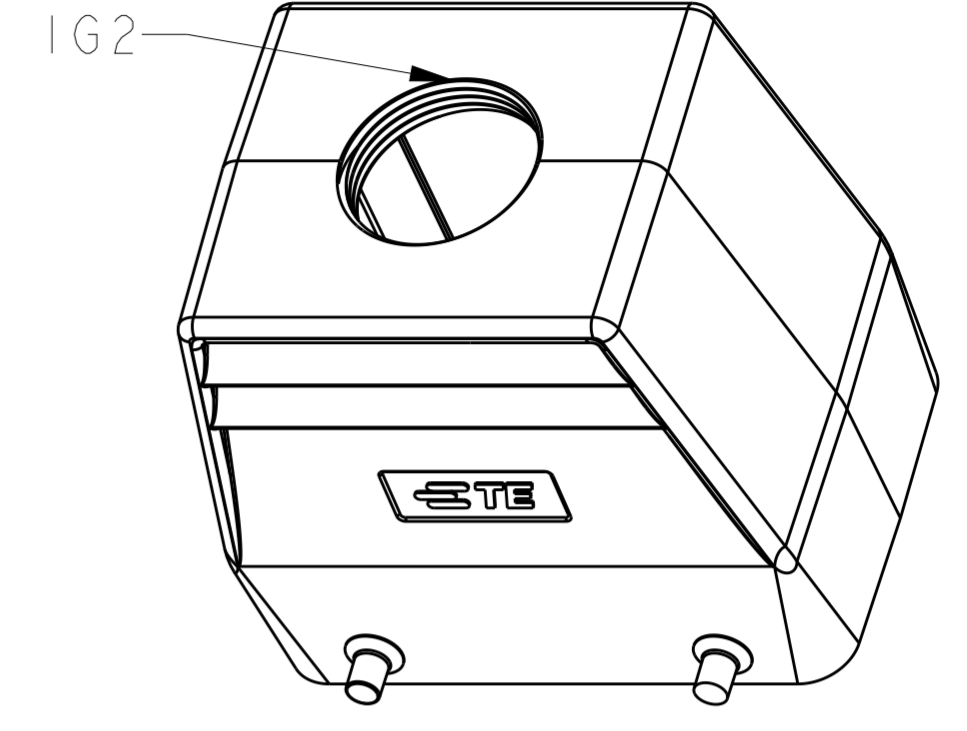


THIS DRAWING IS UNPUBLISHED. RELEASED FOR PUBLICATION 20  
 © COPYRIGHT 20 BY - ALL RIGHTS RESERVED.

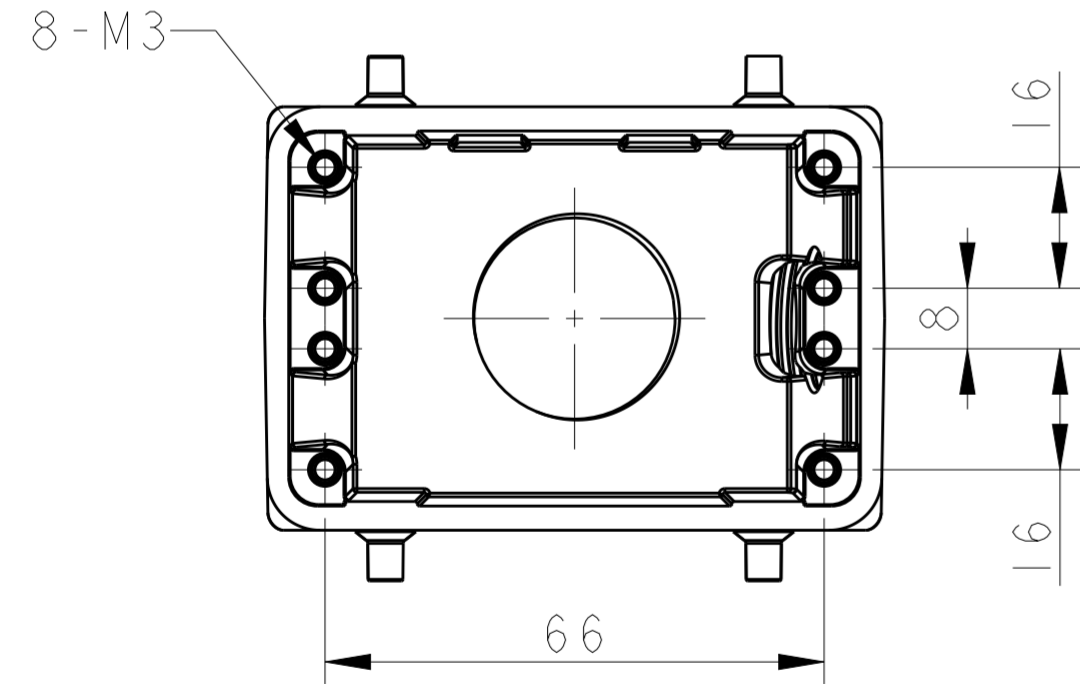
REVISIONS				
P	LTR	DESCRIPTION	DATE	APVD
A		INITIAL RELEASE	11MAY2015	DL CW



TYPE 1 SIDE ENTRY



TYPE 2 TOP ENTRY



NOTES:  
 1. TECHNICAL CHARACTERISTICS:  
 BODY MATERIAL: DIE CAST ALUMINIUM ALLOY  
 SURFACE TREATMENT: POWDER-COATED, GRAY  
 OPERATION TEMPERATURE: -40-+125°C  
 DEGREE OF PROTECTION: IP65 (MATED)

注释:  
 1. 技术参数:  
 主体材料: 铝合金  
 表面处理: 粉末喷涂, 灰色  
 工作温度: -40-+125°C  
 防护等级: IP65(配合)

T1319320116-000	TYPE 1	H32A-TS-PG16	PG16	-
T1319320120-000		H32A-TS-M20	M20	-
T1319320121-000		H32A-TS-PG21	PG21	-
T1319320125-000		H32A-TS-M25	M25	-
T1319320129-000		H32A-TS-PG29	PG29	-
T1319320132-000		H32A-TS-M32	M32	-
T1319320140-000		H32A-TS-M40	M40	-
T1329320121-000		TYPE 2	H32A-TG-PG21	-
T1329320125-000	H32A-TG-M25		-	M25
T1329320129-000	H32A-TG-PG29		-	PG29
T1329320132-000	H32A-TG-M32		-	M32
T1329320140-000	H32A-TG-M40		-	M40
T1329320150-000		H32A-TG-M50	-	M50
ASSEMBLY PART NUMBER	TYPE	ASSEMBLY PART DESCRIPTION	IG1	IG2

THIS DRAWING IS A CONTROLLED DOCUMENT.

DIMENSIONS: mm	TOLERANCES UNLESS OTHERWISE SPECIFIED:	DWN DAVID LI 11MAY2015	TE Connectivity NAME H32A-TS/TG-PG/M
	0 PLC ±	CHK CHRIS WANG 11MAY2015	
	1 PLC ±	APVD XU XIANG 11MAY2015	
	2 PLC ±	PRODUCT SPEC 108-137010	
MATERIAL	FINISH	APPL. SPEC 114-137010	RESTRICTED TO
		WEIGHT	SCALE A2
		Customer Drawing	SHEET OF REV A

## X-ON Electronics

Largest Supplier of Electrical and Electronic Components

*Click to view similar products for [Heavy Duty Power Connectors](#) category:*

*Click to view products by [TE Connectivity](#) manufacturer:*

Other Similar products are found below :

[1424439](#) [1424438](#) [09330062652](#) [2-8675P1](#) [605601-1](#) [6340G1](#) [6341G1](#) [6360G1](#) [6373G1](#) [6374g2](#) [6396G1](#) [647757-1](#) [66394-4](#) [6643411-1](#)  
[6646058-2](#) [6646137-1](#) [6646138-1](#) [6646348-1](#) [6646479-1](#) [6646608-1](#) [6646786-1](#) [6646940-1](#) [6651091-1](#) [6651525-1](#) [6651529-1](#) [6651778-1](#)  
[6651788-1](#) [696465-1](#) [696475-1](#) [73000005059](#) [73000005349](#) [73000005642](#) [73080255059](#) [73080965046](#) [765-15-0080A](#) [765-16-0080B](#)  
[789.700-44](#) [789.700-54](#) [80-1010](#) [80-9](#) [827381-1](#) [829992-1](#) [902-77-02113](#) [PL00U-301-10D10](#) [PM103MOOLOO](#) [PM16S1620S32-50](#)  
[PM212MOOLOO](#) [PM309FOOLOO](#) [PM324FOOLCH](#) [PMHPAF11S03](#)