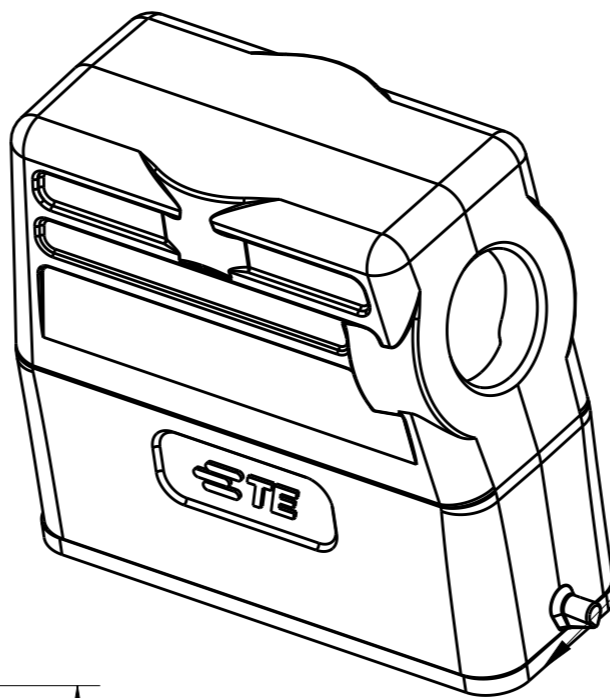
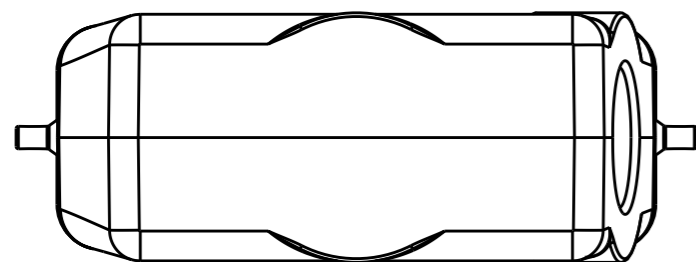


THIS DRAWING IS UNPUBLISHED. RELEASED FOR PUBLICATION 20
 © COPYRIGHT 20 BY - ALL RIGHTS RESERVED.

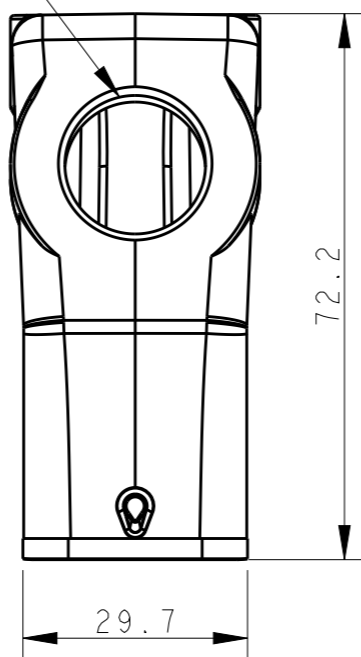
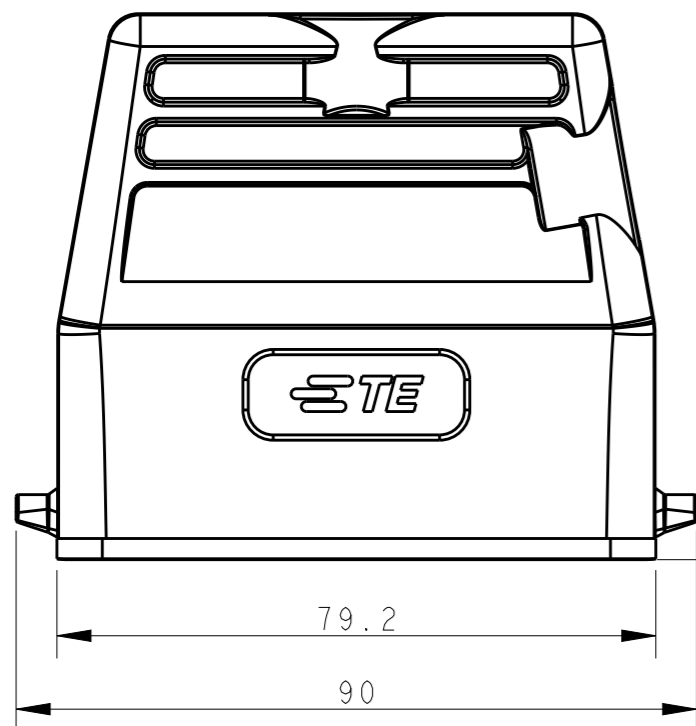
REVISIONS

P	LTR	DESCRIPTION	DATE	DWN	APVD
	A	INITIAL RELEASE	07MAY2015	DL	CW



FOR "T1339160116-100"
SEAL FIXED BY GLUE

PG/M



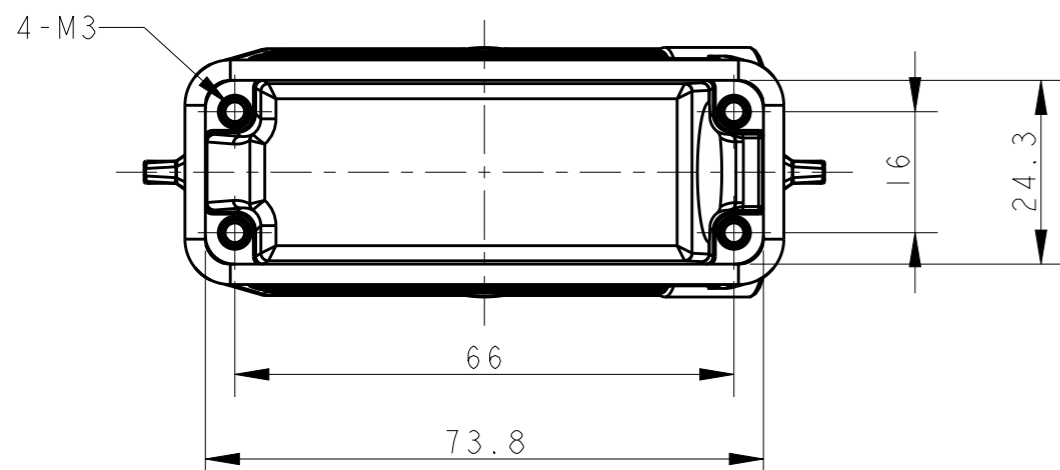
NOTES:


- 1. TECHNICAL CHARACTERISTICS:
 BODY MATERIAL: DIE CAST ALUMINIUM ALLOY
 SURFACE TREATMENT: POWDER-COATED, GRAY
 OPERATION TEMPERATURE: -40-+125°C
 DEGREE OF PROTECTION: IP65 (MATED)

注释:

- 1. 技术参数:
 主体材料: 铝合金
 表面处理: 粉末喷涂, 灰色
 工作温度: -40-+125°C
 防护等级: IP65(配合)

T1339160111-000	H16A-TSH-PG11	PG11	-
T1339160116-000	H16A-TSH-PG16	PG16	-
T1339160116-100	H16A-TSH-PG16	PG16	SEAL FIXED BY GLUE
T1339160120-000	H16A-TSH-M20	M20	-
T1339160121-000	H16A-TSH-PG21	PG21	-
T1339160125-000	H16A-TSH-M25	M25	-
ASSEMBLY PART NUMBER	ASSEMBLY PART DESCRIPTION	PG/M	REMARK



THIS DRAWING IS A CONTROLLED DOCUMENT.		DWN 07MAY2015 DAVID LI	 TE Connectivity	
DIMENSIONS: mm		CHK 07MAY2015 CHRIS WANG		
TOLERANCES UNLESS OTHERWISE SPECIFIED:		APVD 07MAY2015 XU XIANG	NAME H16A-TSH-PG/M	
0 PLC ±-		PRODUCT SPEC 108-137010	SIZE	
1 PLC ±-		APPLICATION SPEC 114-137010	CAGE CODE	
2 PLC ±-		WEIGHT	DRAWING NO	
3 PLC ±-		CUSTOMER DRAWING	RESTRICTED TO	
4 PLC ±-			SCALE 1:1	
ANGLES ±-			SHEET 1 OF 1	
FINISH			REV A	

X-ON Electronics

Largest Supplier of Electrical and Electronic Components

Click to view similar products for [Heavy Duty Power Connectors](#) category:

Click to view products by [TE Connectivity](#) manufacturer:

Other Similar products are found below :

[1424439](#) [1424438](#) [09330062652](#) [2-8675P1](#) [605601-1](#) [6340G1](#) [6341G1](#) [6360G1](#) [6373G1](#) [6374g2](#) [6396G1](#) [647757-1](#) [66394-4](#) [6643411-1](#)
[6646058-2](#) [6646137-1](#) [6646138-1](#) [6646348-1](#) [6646479-1](#) [6646608-1](#) [6646786-1](#) [6646940-1](#) [6651091-1](#) [6651525-1](#) [6651529-1](#) [6651778-1](#)
[6651788-1](#) [696465-1](#) [696475-1](#) [73000005059](#) [73000005349](#) [73000005642](#) [73080255059](#) [73080965046](#) [765-15-0080A](#) [765-16-0080B](#)
[789.700-44](#) [789.700-54](#) [80-1010](#) [80-9](#) [827381-1](#) [829992-1](#) [902-77-02113](#) [PL00U-301-10D10](#) [PM103MOOLOO](#) [PM16S1620S32-50](#)
[PM212MOOLOO](#) [PM309FOOLOO](#) [PM324FOOLCH](#) [PMHPAF11S03](#)