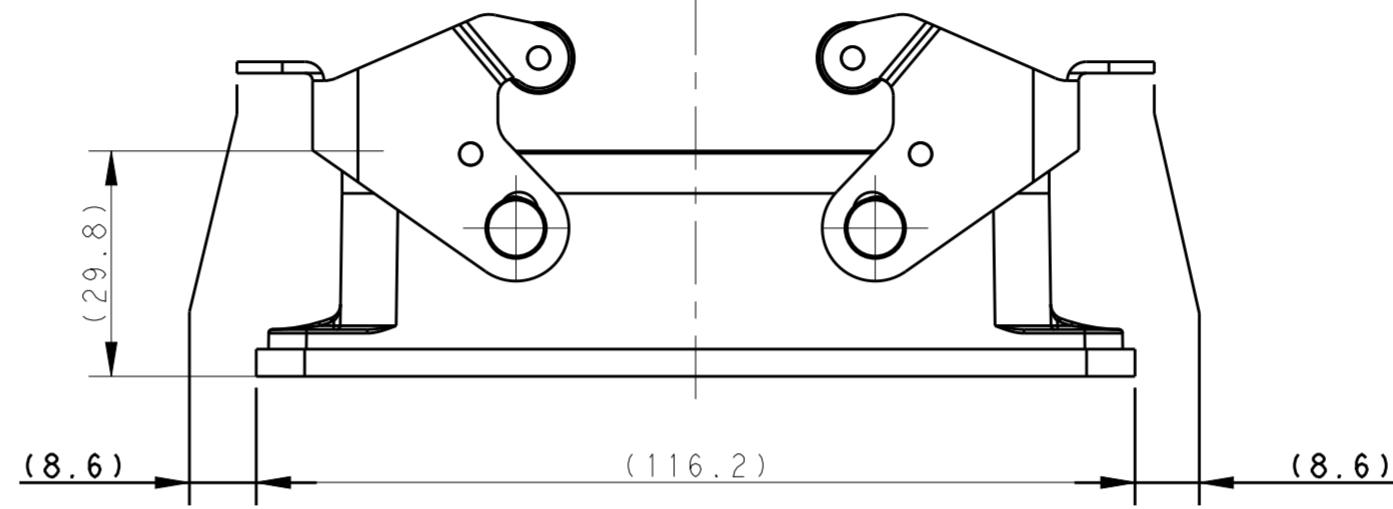
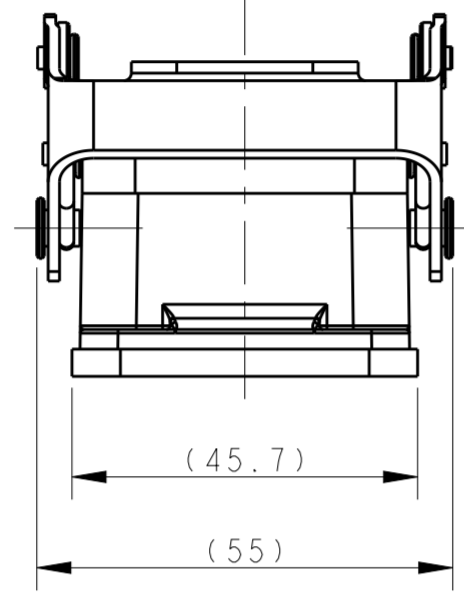
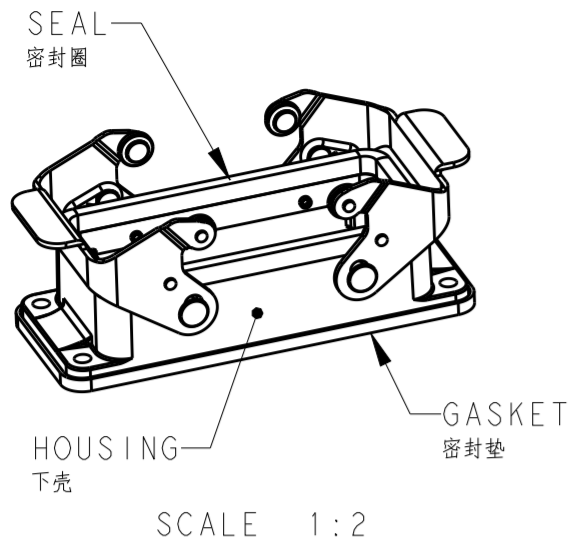


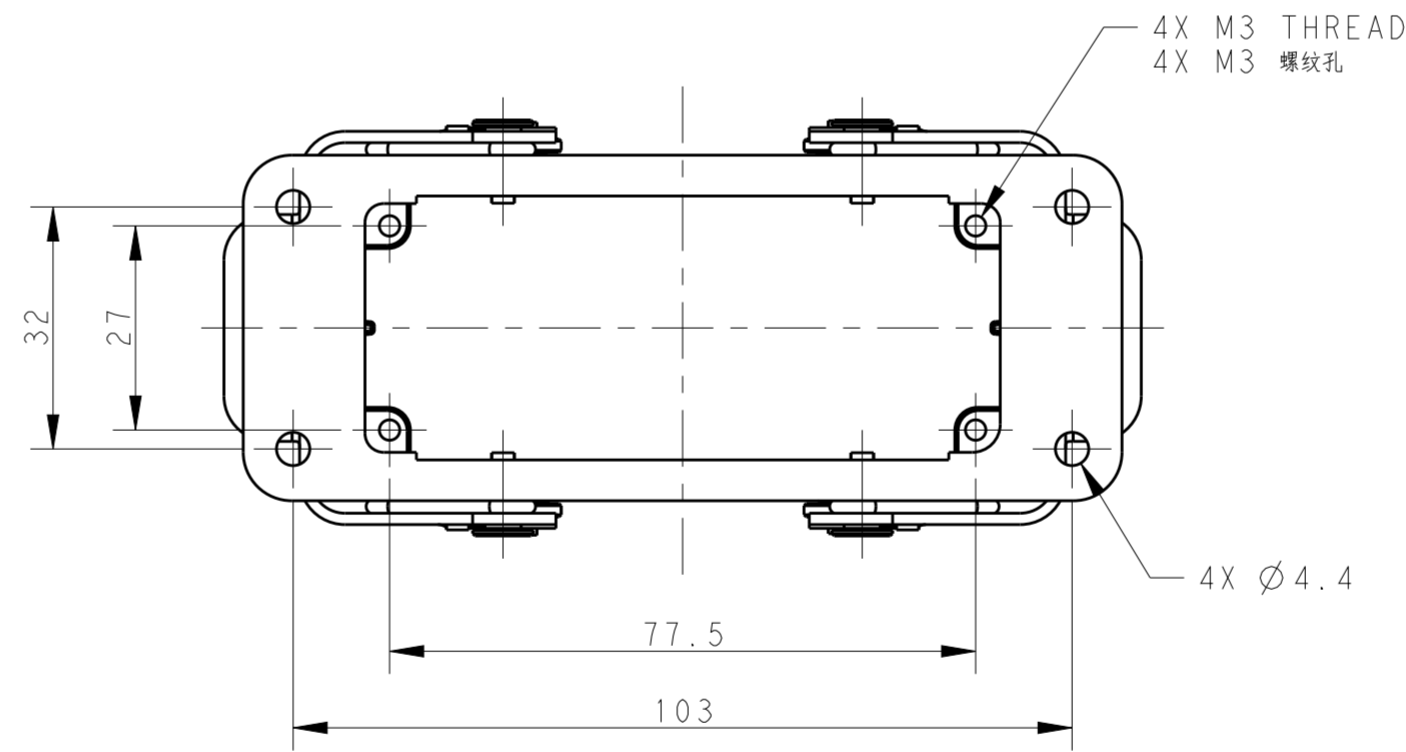
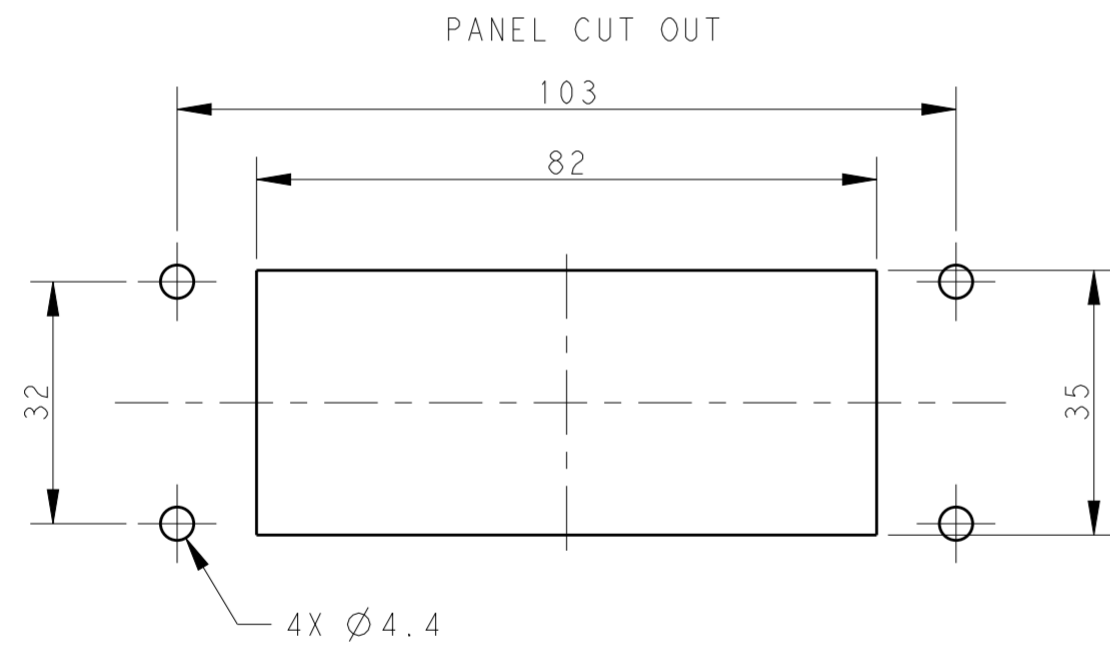
THIS DRAWING IS UNPUBLISHED. RELEASED FOR PUBLICATION 20
 © COPYRIGHT 20 BY - ALL RIGHTS RESERVED.

| REVISIONS | | | | |
|-----------|-----|-------------------------|-----------|-------|
| P | LTR | DESCRIPTION | DATE | APVD |
| A1 | | UPDATE SPELLING MISTAKE | 20JAN2015 | DW CW |
| A2 | | ECR-15-010519 | 20JUN2015 | DW CW |
| A3 | | ECR-16-010326 | 07JUL2016 | DW CW |
| A4 | | ECR-16-018349 | 30DEC2016 | DW CW |



NOTES:
 1. TECHNICAL CHARACTERISTICS:
 HOUSING MATERIAL: DIE CAST ALUMINIUM ALLOY
 HOUSING SURFACE: POWDER COATED, GREY, RAL7037
 SEAL MATERIAL: NBR
 GASKET MATERIAL: EPDM
 DEGREE OF PROTECTION: IP65 (MATED)

注释:
 1. 技术参数:
 下壳材料: 铝合金
 下壳表面处理: 灰色粉末涂层, RAL7037
 密封圈材料: NBR
 密封垫材料: EPDM
 防护等级: IP65(配合)



| | | |
|---------------------|--------------------------|---|
| T1410161000-000 | H16B-AGS | H16B HOUSING, BULKHEAD MOUNTED, STAINLESS STEEL DOUBLE LOCKING POWDER COATED, GREY H16B下壳, 开孔安装, 不锈钢双扣, 灰色粉末喷涂 |
| PART NUMBER 零件料号 | PART DESCRIPTION 零件描述 | |

| | | | |
|--|---|----------------------------------|------------------------------|
| THIS DRAWING IS A CONTROLLED DOCUMENT. | | DWN DAVID WANG 11 JUN 2014 | TE Connectivity |
| | | CHK CHRIS WANG 11 JUN 2014 | |
| | | APVD XIANG XU 11 JUN 2014 | |
| DIMENSIONS: | TOLERANCES UNLESS OTHERWISE SPECIFIED: | PRODUCT SPEC | NAME H16B-AGS |
| mm | 0 PLC ± 1 PLC ± 2 PLC ± 3 PLC ± 4 PLC ± ANGLES ± FINISH | 108-137013 | SIZE A2 |
| MATERIAL | - | APPLICATION SPEC 114-137013 | CAGE CODE 00779 |
| | | WEIGHT - | DRAWING NO T1410161000000 |
| | | CUSTOMER DRAWING | RESTRICTED TO - |
| SCALE 1:1 | | | SHEET 1 OF 1 |
| | | | REV A4 |

X-ON Electronics

Largest Supplier of Electrical and Electronic Components

Click to view similar products for [Heavy Duty Power Connectors](#) category:

Click to view products by [TE Connectivity](#) manufacturer:

Other Similar products are found below :

[1424439](#) [1424438](#) [09330062652](#) [2-8675P1](#) [605601-1](#) [6340G1](#) [6341G1](#) [6360G1](#) [6373G1](#) [6374g2](#) [6396G1](#) [647757-1](#) [66394-4](#) [6643411-1](#)
[6646058-2](#) [6646137-1](#) [6646138-1](#) [6646348-1](#) [6646479-1](#) [6646608-1](#) [6646786-1](#) [6646940-1](#) [6651091-1](#) [6651525-1](#) [6651529-1](#) [6651778-1](#)
[6651788-1](#) [696465-1](#) [696475-1](#) [73000005059](#) [73000005349](#) [73000005642](#) [73080255059](#) [73080965046](#) [765-15-0080A](#) [765-16-0080B](#)
[789.700-44](#) [789.700-54](#) [80-1010](#) [80-9](#) [827381-1](#) [829992-1](#) [902-77-02113](#) [PL00U-301-10D10](#) [PM103MOOLOO](#) [PM16S1620S32-50](#)
[PM212MOOLOO](#) [PM309FOOLOO](#) [PM324FOOLCH](#) [PMHPAF11S03](#)