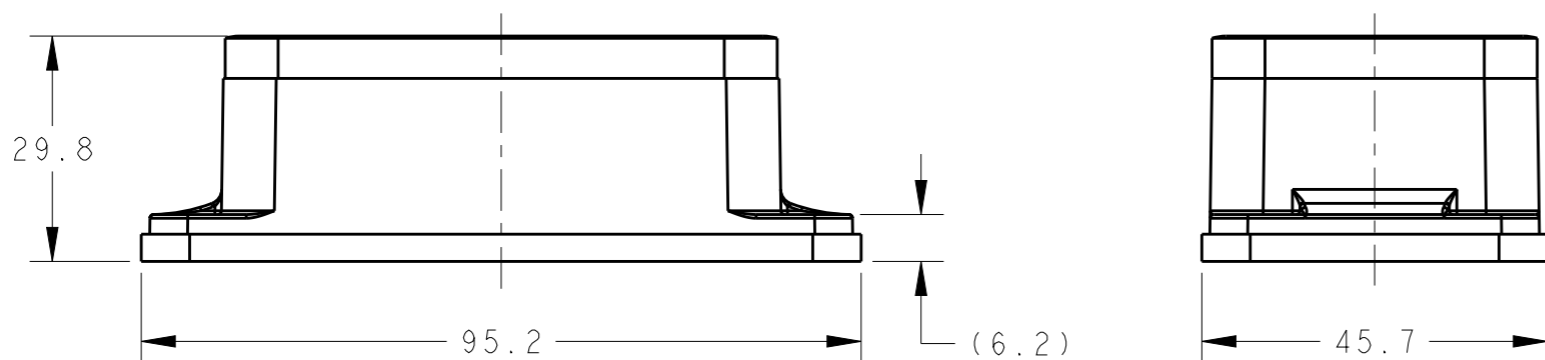


THIS DRAWING IS UNPUBLISHED. RELEASED FOR PUBLICATION 20
 © COPYRIGHT 20 BY - ALL RIGHTS RESERVED.

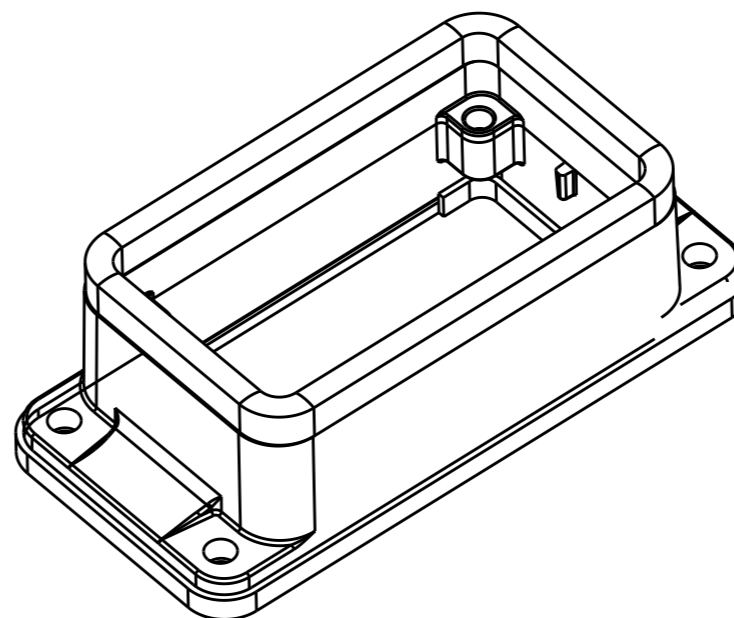
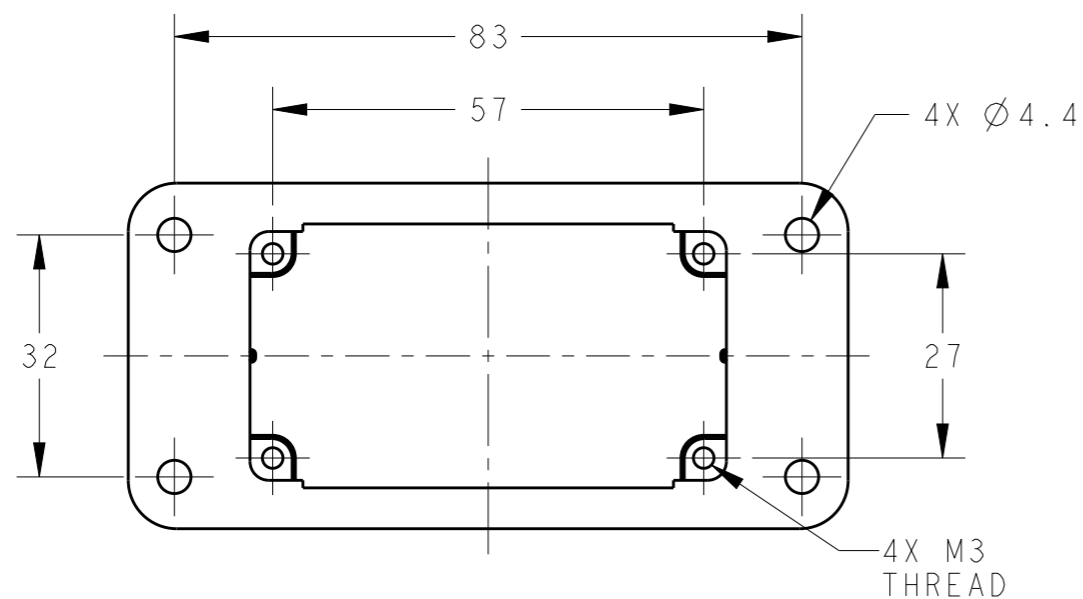
REVISIONS

| P | LTR | DESCRIPTION | DATE | DWN | APVD |
|---|-----|-------------|-----------|-----|------|
| | A | INITIAL | 18JUN2015 | DW | CW |
| | | | | | |
| | | | | | |

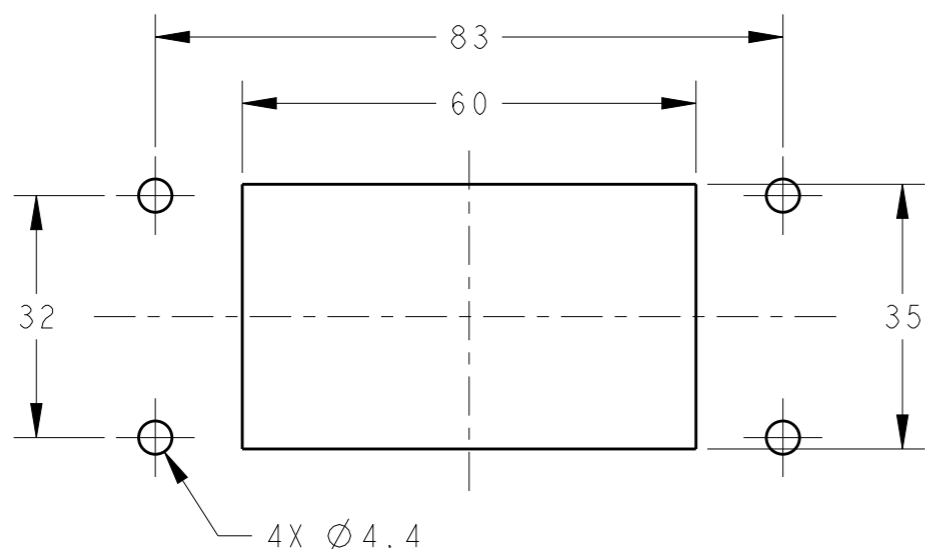


NOTES:
 1. TECHNICAL CHARACTERISTICS:
 HOUSING MATERIAL: DIE CAST ALUMINIUM ALLOY
 SURFACE: POWDER COATED, GREY
 OPERATION TEMPERATURE: -40-+125°C
 DEGREE OF PROTECTION: IP65 (MATED)


注释:
 1. 技术参数:
 下壳材料: 铝合金
 表面处理: 粉末涂层, 灰色
 工作温度: -40-+125°C
 防护等级: IP65(配合)



PANEL CUT OUT



| | |
|-----------------|-------------|
| T14X0100000-000 | H10B-AG |
| PART NUMBER | DESCRIPTION |

| | | | | |
|--|--|-----------------------------|---|--|
| THIS DRAWING IS A CONTROLLED DOCUMENT. | | DWN 05JUN2015 David Wang |  TE Connectivity | |
| DIMENSIONS: mm | | CHK 05JUN2015 Chris Wang | | |
| TOLERANCES UNLESS OTHERWISE SPECIFIED: | | APVD 05JUN2015 Xiang Xu | NAME H10B-AG | |
| 0 PLC ±- | | PRODUCT SPEC 108-137013 | SIZE CAGE CODE DRAWING NO RESTRICTED TO | |
| 1 PLC ±- | | APPLICATION SPEC 114-137013 | A300779 C-T14X0100000000 - | |
| 2 PLC ±- | | WEIGHT - | SCALE 1:1 SHEET 1 OF 1 REV A | |
| 3 PLC ±- | | Customer Drawing | | |
| 4 PLC ±- | | | | |
| ANGLES ±- | | | | |
| FINISH - | | | | |
| MATERIAL - | | | | |

X-ON Electronics

Largest Supplier of Electrical and Electronic Components

Click to view similar products for [Heavy Duty Power Connectors](#) category:

Click to view products by [TE Connectivity](#) manufacturer:

Other Similar products are found below :

[1424439](#) [1424438](#) [09330062652](#) [2-8675P1](#) [605601-1](#) [6340G1](#) [6341G1](#) [6360G1](#) [6373G1](#) [6374g2](#) [6396G1](#) [647757-1](#) [66394-4](#) [6643411-1](#)
[6646058-2](#) [6646137-1](#) [6646138-1](#) [6646348-1](#) [6646479-1](#) [6646608-1](#) [6646786-1](#) [6646940-1](#) [6651091-1](#) [6651525-1](#) [6651529-1](#) [6651778-1](#)
[6651788-1](#) [696465-1](#) [696475-1](#) [73000005059](#) [73000005349](#) [73000005642](#) [73080255059](#) [73080965046](#) [765-15-0080A](#) [765-16-0080B](#)
[789.700-44](#) [789.700-54](#) [80-1010](#) [80-9](#) [827381-1](#) [829992-1](#) [902-77-02113](#) [PL00U-301-10D10](#) [PM103MOOLOO](#) [PM16S1620S32-50](#)
[PM212MOOLOO](#) [PM309FOOLOO](#) [PM324FOOLCH](#) [PMHPAF11S03](#)