

4

3

2

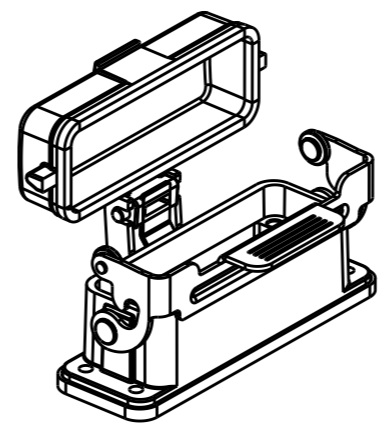
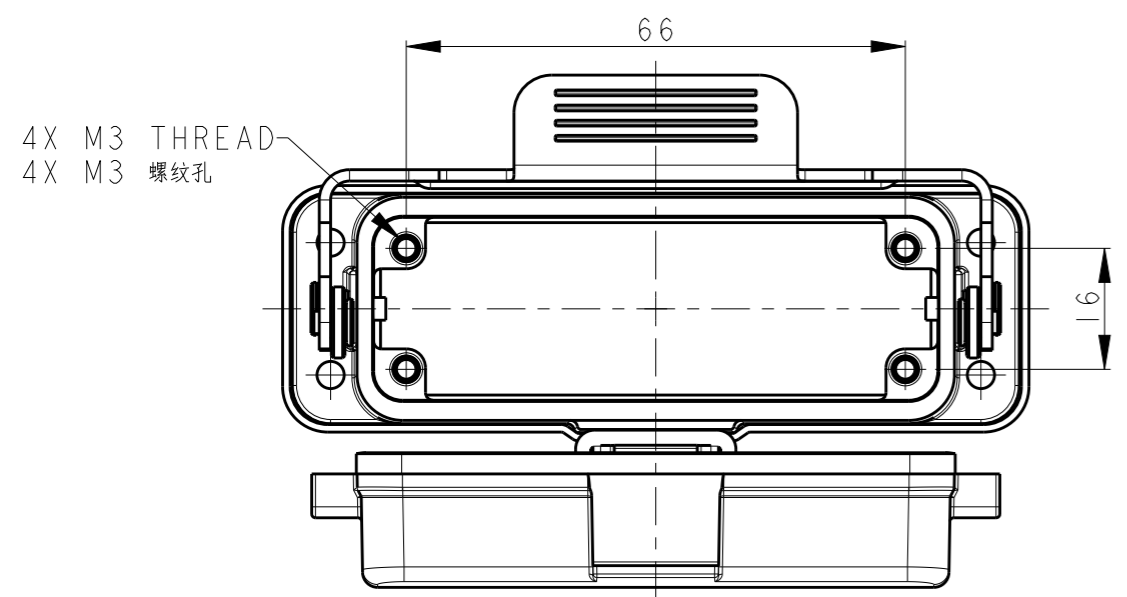
1

THIS DRAWING IS UNPUBLISHED. RELEASED FOR PUBLICATION 20

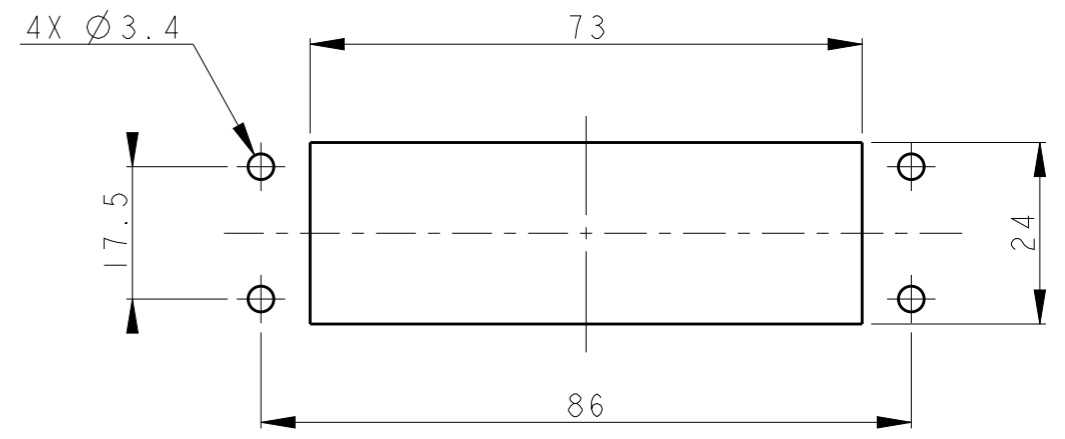
© COPYRIGHT 20 BY - ALL RIGHTS RESERVED.

REVISIONS

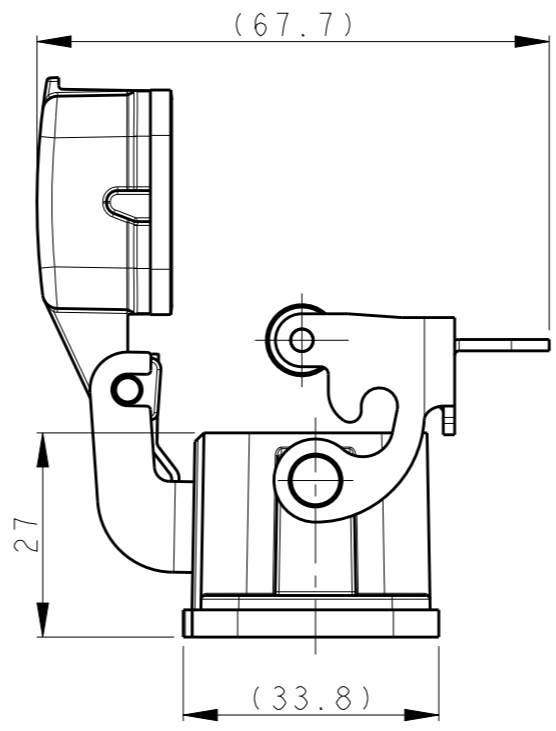
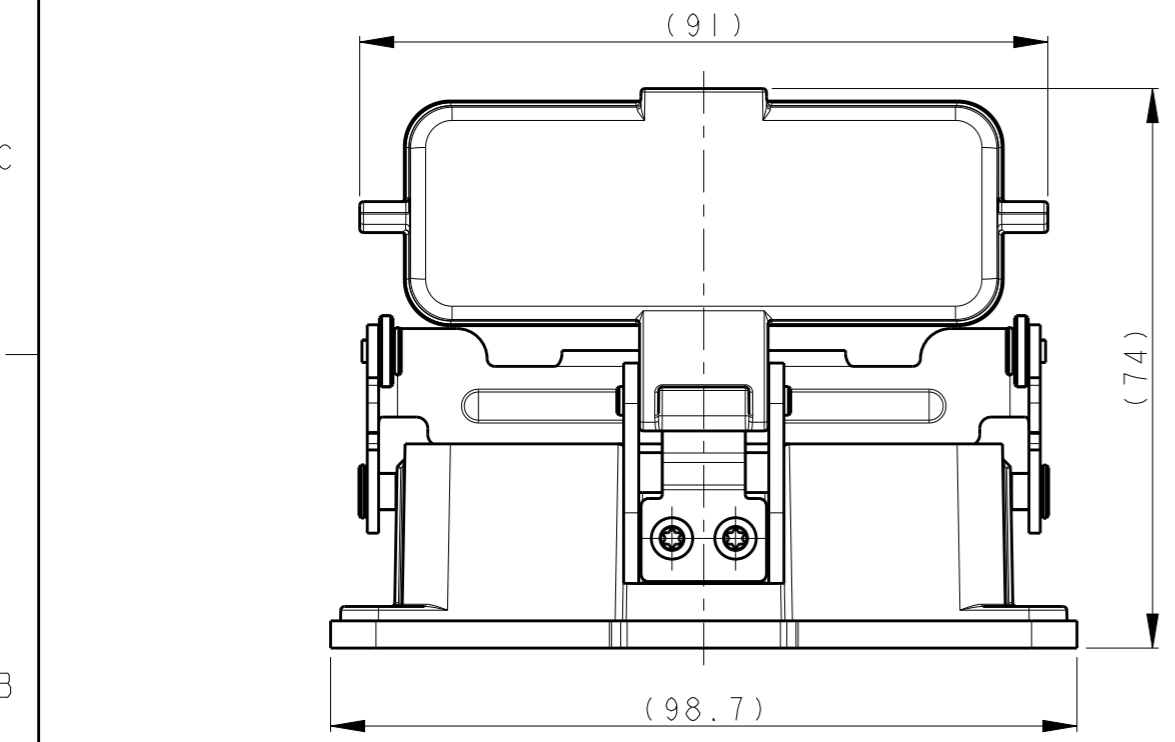
P	LTR	DESCRIPTION	DATE	DWN	APVD
	A	INITIAL RELEASES	24APR2015	DL	CW
	A1	ECR-17-005386	07APR2017	CH	CW
	B	ECR-18-012608	13AUG2018	CH	CW



SCALE 1:2

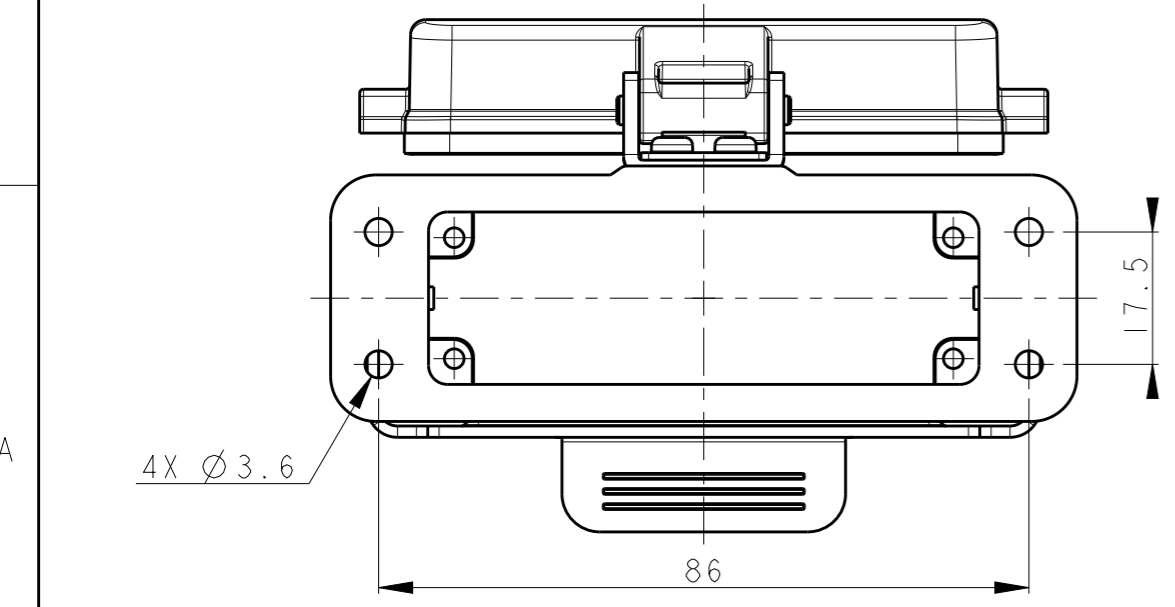


RECOMMENDED PANEL CUT OUT DIMENSIONS
推荐面板开孔尺寸



NOTES:
 1. TECHNICAL CHARACTERISTICS:
 BODY MATERIAL: DIE CAST ALUMINIUM ALLOY
 SURFACE TREATMENT: POWDER COATED, GREY
 DEGREE OF PROTECTION: IP65 (MATED)

注释:
 1. 技术参数:
 主体材料: 铝合金
 表面处理: 灰色粉末喷涂
 防护等级: IP65(配合)



T1519161000-000	H16A-ADMS	H16A HOUSING, BULKHEAD MOUNTED, STAINLESS STEEL SINGLE LOCKING, ALUMINIUM ALLOY PROTECTION COVER POWDER COATED, GREY H16A下壳, 开孔安装, 不锈钢单扣, 带铝合金保护盖, 灰色粉末喷涂
-----------------	-----------	--------------------------------------------------------------------------------------------------------------------------------------------------------------

PART NUMBER 料号	PART DESCRIPTION 描述
-------------------	------------------------

THIS DRAWING IS A CONTROLLED DOCUMENT.		DWN 24APR2015 DAVID LI						
		CHK 24APR2015 CHRIS WANG						
		APVD 24APR2015 XU XIANG						
		NAME H16A-ADMS						
DIMENSIONS: mm	TOLERANCES UNLESS OTHERWISE SPECIFIED: 0 PLC ±- 1 PLC ±- 2 PLC ±- 3 PLC ±- 4 PLC ±- ANGLES ±-	PRODUCT SPEC 108-137010	SIZE A3	CAGE CODE -	DRAWING NO C-T1519161000000	RESTRICTED TO -		
MATERIAL -	FINISH -	APPLICATION SPEC 114-137010	WEIGHT -	SCALE 1:1		SHEET 1	OF 1	REV B
CUSTOMER DRAWING								

X-ON Electronics

Largest Supplier of Electrical and Electronic Components

Click to view similar products for [Heavy Duty Power Connectors](#) category:

Click to view products by [TE Connectivity](#) manufacturer:

Other Similar products are found below :

[1424439](#) [1424438](#) [09330062652](#) [2-8675P1](#) [605601-1](#) [6340G1](#) [6341G1](#) [6360G1](#) [6373G1](#) [6374g2](#) [6396G1](#) [647757-1](#) [66394-4](#) [6643411-1](#)
[6646058-2](#) [6646137-1](#) [6646138-1](#) [6646348-1](#) [6646479-1](#) [6646608-1](#) [6646786-1](#) [6646940-1](#) [6651091-1](#) [6651525-1](#) [6651529-1](#) [6651778-1](#)
[6651788-1](#) [696465-1](#) [696475-1](#) [73000005059](#) [73000005349](#) [73000005642](#) [73080255059](#) [73080965046](#) [765-15-0080A](#) [765-16-0080B](#)
[789.700-44](#) [789.700-54](#) [80-1010](#) [80-9](#) [827381-1](#) [829992-1](#) [902-77-02113](#) [PL00U-301-10D10](#) [PM103MOOLOO](#) [PM16S1620S32-50](#)
[PM212MOOLOO](#) [PM309FOOLOO](#) [PM324FOOLCH](#) [PMHPAF11S03](#)