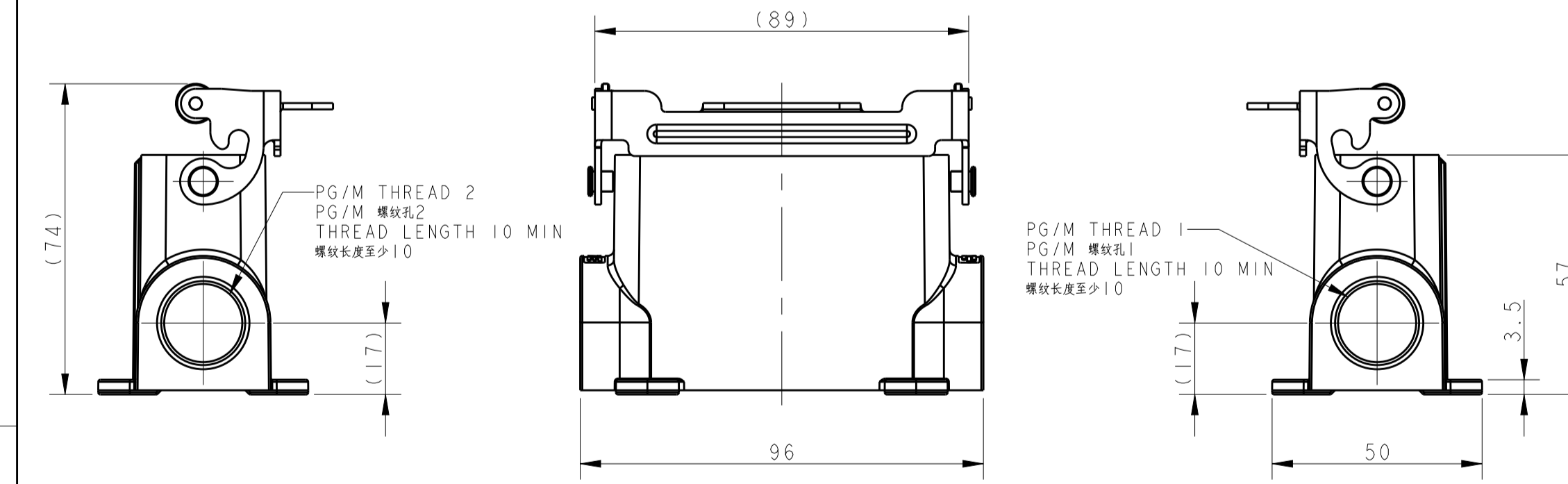
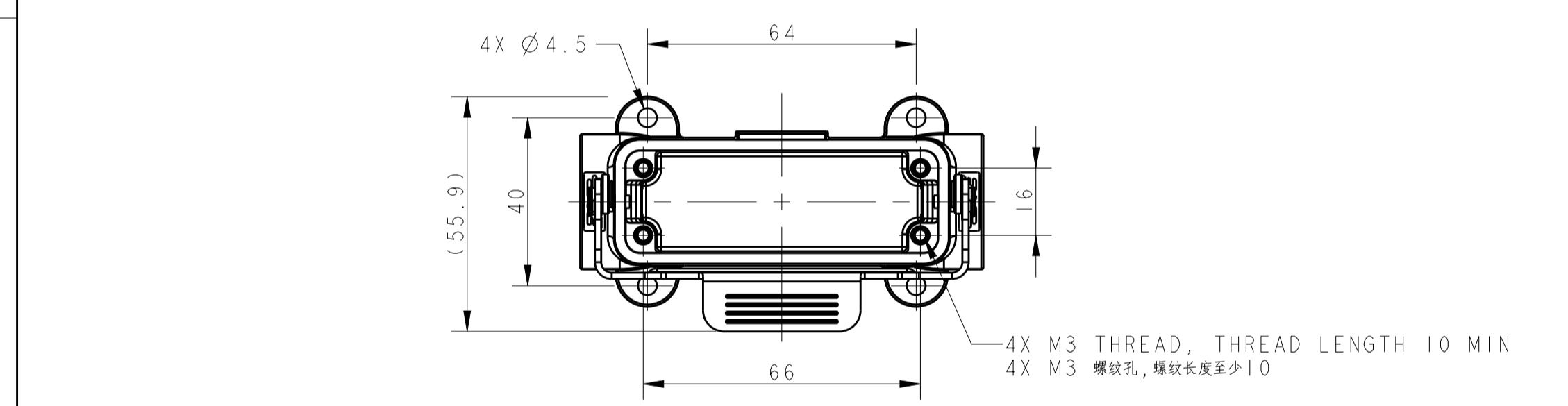


TYPE 1  
H16A HOUSING, SURFACE MOUNTED, STEEL SINGLE LOCKING, POWDER COATED, GREY  
类型 1  
H16A下壳, 表面安装, 金属单扣, 灰色粉末喷涂

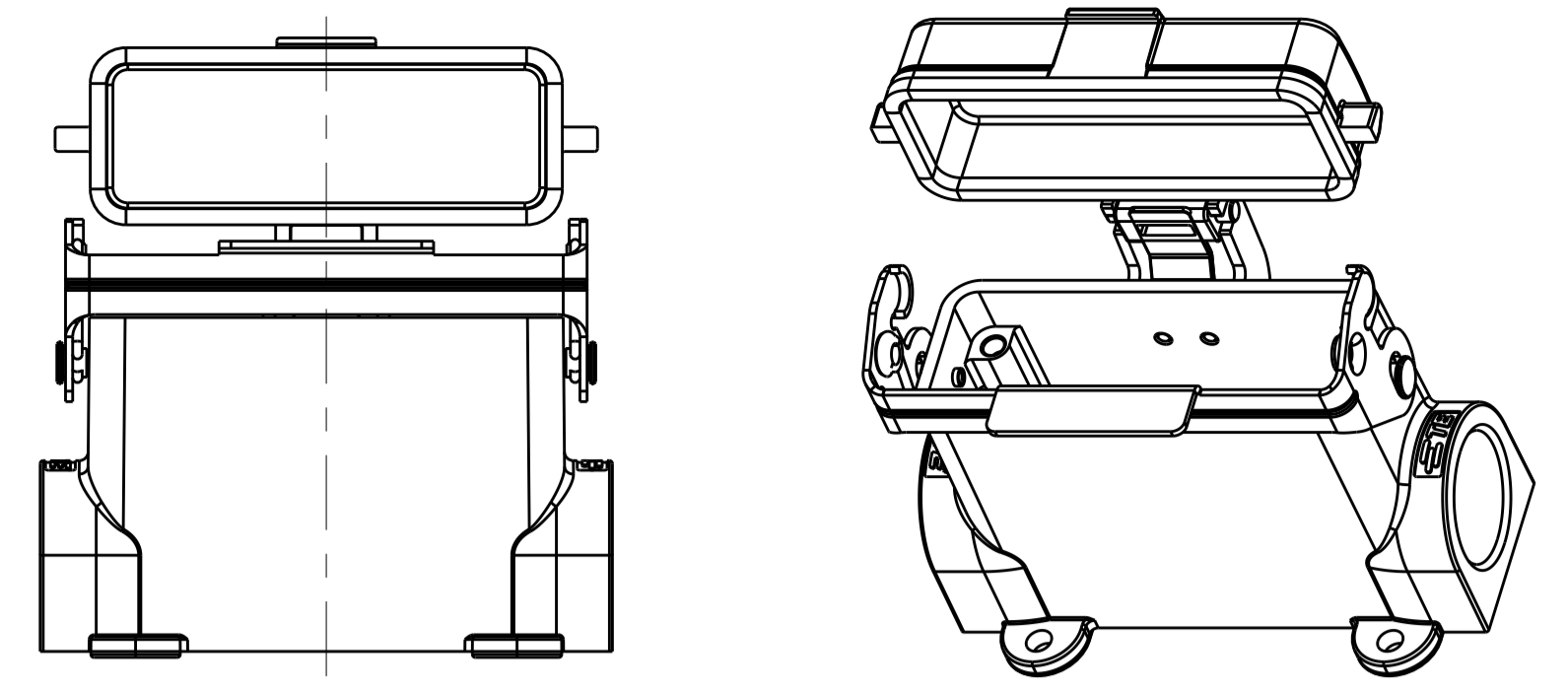
OBSELETE TYPE 1 PN  
废弃类型1金属扣壳体料号



TYPE 4  
H16A HOUSING, SURFACE MOUNTED, STAINLESS STEEL SINGLE LOCKING, POWDER COATED, GREY  
类型 4  
H16A下壳, 表面安装, 不锈钢单扣, 灰色粉末喷涂

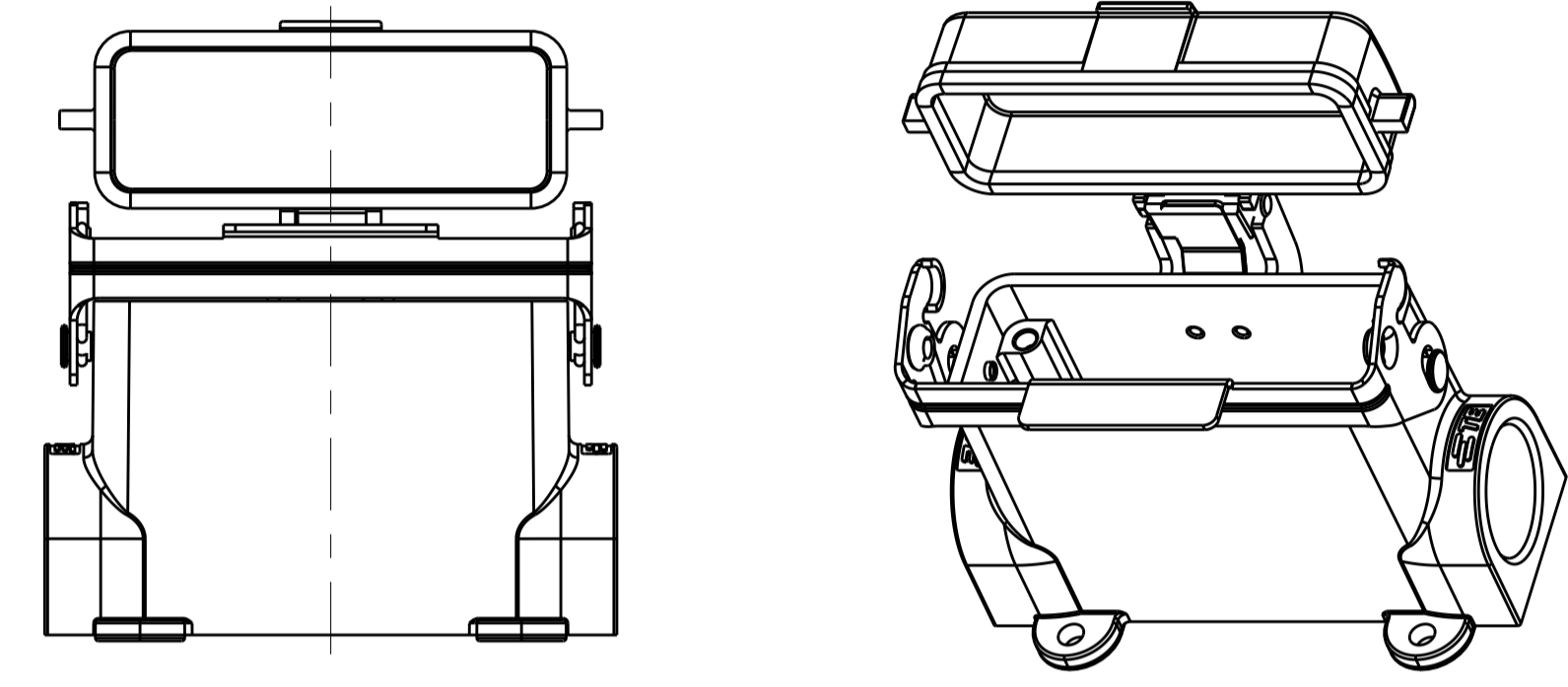
NOTES:  
1. TECHNICAL CHARACTERISTICS:  
BODY MATERIAL: DIE CAST ALUMINIUM ALLOY  
SURFACE TREATMENT: POWDER COATED, GREY  
DEGREE OF PROTECTION: IP65 (MATED)

注释:  
1. 技术参数:  
主体材料: 铝合金  
表面处理: 灰色粉末喷涂  
防护等级: IP65(配合)



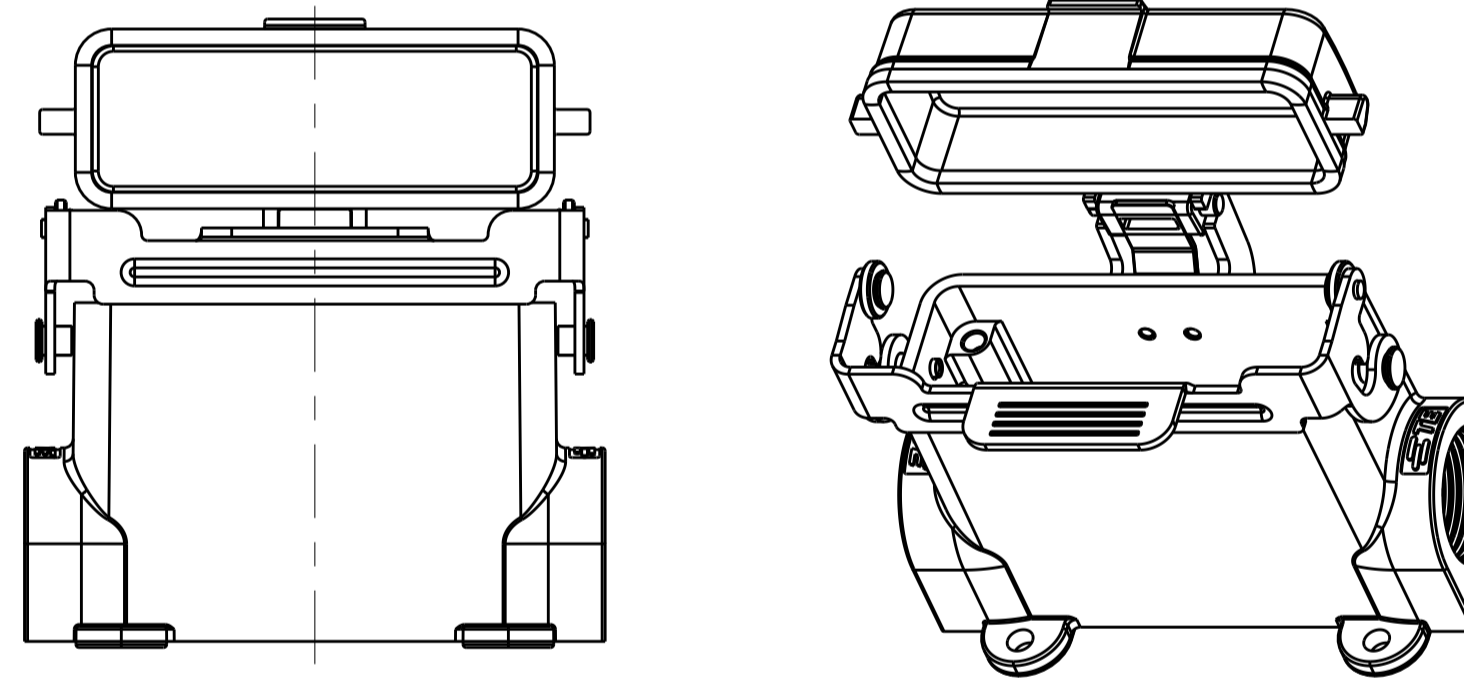
TYPE 2  
H16A HOUSING, SURFACE MOUNTED, STEEL SINGLE LOCKING, ALUMINIUM ALLOY PROTECTION COVER, POWDER COATED, GREY  
OTHER SPEC REFER TO TYPE 1  
类型 2  
H16A下壳, 表面安装, 金属单扣, 带铝合金保护盖, 灰色粉末喷涂  
未标注规格参考类型1

OBSELETE TYPE 2 PN  
废弃类型2金属扣壳体料号

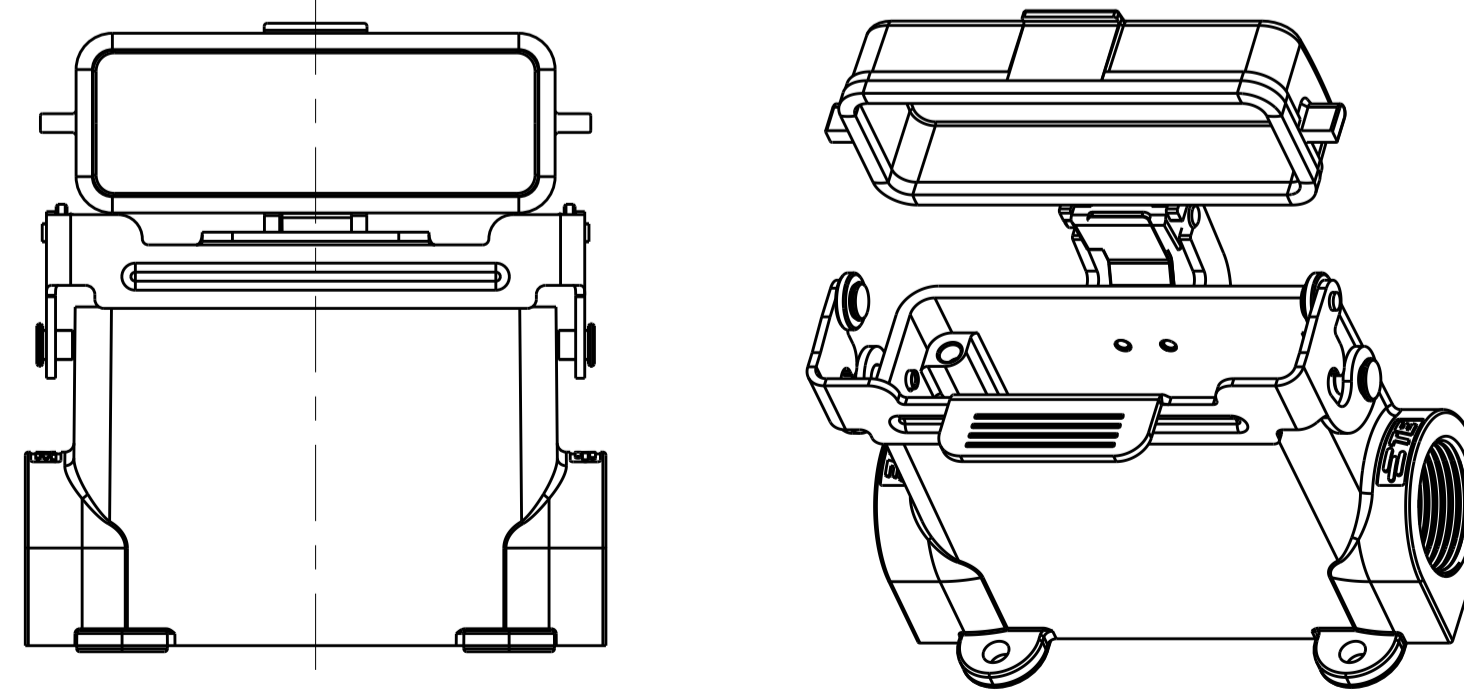


TYPE 3  
H16A HOUSING, SURFACE MOUNTED, STEEL SINGLE LOCKING, PLASTIC PROTECTION COVER, POWDER COATED, GREY  
OTHER SPEC REFER TO TYPE 1  
类型 3  
H16A下壳, 表面安装, 金属单扣, 带塑料保护盖, 灰色粉末喷涂  
未标注规格参考类型1

OBSELETE TYPE 3 PN  
废弃类型3金属扣壳体料号



TYPE 5  
H16A HOUSING, SURFACE MOUNTED, STAINLESS STEEL SINGLE LOCKING, ALUMINIUM ALLOY PROTECTION COVER, POWDER COATED, GREY  
OTHER SPEC REFER TO TYPE 4  
类型 5  
H16A下壳, 表面安装, 不锈钢单扣, 带铝合金保护盖, 灰色粉末喷涂  
未标注规格参考类型4



TYPE 6  
H16A HOUSING, SURFACE MOUNTED, STAINLESS STEEL SINGLE LOCKING, PLASTIC PROTECTION COVER, POWDER COATED, GREY  
OTHER SPEC REFER TO TYPE 4  
类型 6  
H16A下壳, 表面安装, 不锈钢单扣, 带塑料保护盖, 灰色粉末喷涂  
未标注规格参考类型4

REVISIONS				
P	LTN	DESCRIPTION	DATE	OWN APVD
A		INITIAL RELEASE	08MAY2015	DL CW
A1		ECR-16-018055	19JAN2017	DL CW
A2		ECR-17-005386	08APR2017	CH CW
B		ECR-18-012608	14AUG2018	CH CW

OBSELETE TYPE 1&2&3 PN  
废弃类型1/类型2/类型3金属扣壳体料号

PART NUMBER	PART DESCRIPTION	PG/M THREAD 1	PG/M THREAD 2	TYPE
料号	描述	PG/M 螺孔1	PG/M 螺孔2	类型
T1619160116-000	H16A HOUSING, SURFACE MOUNTED, STEEL SINGLE LOCKING, PG16, POWDER COATED, GREY H16A下壳, 表面安装, 金属单扣, PG16, 灰色粉末喷涂	PG16	-	-
T1619160120-000	H16A HOUSING, SURFACE MOUNTED, STEEL SINGLE LOCKING, M20, POWDER COATED, GREY H16A下壳, 表面安装, 金属单扣, M20, 灰色粉末喷涂	M20	-	-
T1619160121-000	H16A HOUSING, SURFACE MOUNTED, STEEL SINGLE LOCKING, PG21, POWDER COATED, GREY H16A下壳, 表面安装, 金属单扣, PG21, 灰色粉末喷涂	PG21	-	-
T1619160125-000	H16A HOUSING, SURFACE MOUNTED, STEEL SINGLE LOCKING, M25, POWDER COATED, GREY H16A下壳, 表面安装, 金属单扣, M25, 灰色粉末喷涂	M25	-	-
T1619160216-000	H16A HOUSING, SURFACE MOUNTED, STEEL SINGLE LOCKING, 2PG16, POWDER COATED, GREY H16A下壳, 表面安装, 金属单扣, 2PG16, 灰色粉末喷涂	PG16	PG16	-
T1619160220-000	H16A HOUSING, SURFACE MOUNTED, STEEL SINGLE LOCKING, 2M20, POWDER COATED, GREY H16A下壳, 表面安装, 金属单扣, 2M20, 灰色粉末喷涂	M20	M20	-
T1619160221-000	H16A HOUSING, SURFACE MOUNTED, STEEL SINGLE LOCKING, 2PG21, POWDER COATED, GREY H16A下壳, 表面安装, 金属单扣, 2PG21, 灰色粉末喷涂	PG21	PG21	-
T1619160225-000	H16A HOUSING, SURFACE MOUNTED, STEEL SINGLE LOCKING, 2M25, POWDER COATED, GREY H16A下壳, 表面安装, 金属单扣, 2M25, 灰色粉末喷涂	M25	M25	-
T1629160116-000	H16A HOUSING, SURFACE MOUNTED, STEEL SINGLE LOCKING, PG16, ALUMINIUM ALLOY PROTECTION COVER, POWDER COATED, GREY H16A下壳, 表面安装, 金属单扣, PG16, 带铝合金保护盖, 灰色粉末喷涂	PG16	-	-
T1629160120-000	H16A HOUSING, SURFACE MOUNTED, STEEL SINGLE LOCKING, M20, ALUMINIUM ALLOY PROTECTION COVER, POWDER COATED, GREY H16A下壳, 表面安装, 金属单扣, M20, 带铝合金保护盖, 灰色粉末喷涂	M20	-	-
T1629160121-000	H16A HOUSING, SURFACE MOUNTED, STEEL SINGLE LOCKING, PG21, ALUMINIUM ALLOY PROTECTION COVER, POWDER COATED, GREY H16A下壳, 表面安装, 金属单扣, PG21, 带铝合金保护盖, 灰色粉末喷涂	PG21	-	-
T1629160125-000	H16A HOUSING, SURFACE MOUNTED, STEEL SINGLE LOCKING, M25, ALUMINIUM ALLOY PROTECTION COVER, POWDER COATED, GREY H16A下壳, 表面安装, 金属单扣, M25, 带铝合金保护盖, 灰色粉末喷涂	M25	-	-
T1629160216-000	H16A HOUSING, SURFACE MOUNTED, STEEL SINGLE LOCKING, 2PG16, ALUMINIUM ALLOY PROTECTION COVER, POWDER COATED, GREY H16A下壳, 表面安装, 金属单扣, 2PG16, 带铝合金保护盖, 灰色粉末喷涂	PG16	PG16	-
T1629160220-000	H16A HOUSING, SURFACE MOUNTED, STEEL SINGLE LOCKING, 2M20, ALUMINIUM ALLOY PROTECTION COVER, POWDER COATED, GREY H16A下壳, 表面安装, 金属单扣, 2M20, 带铝合金保护盖, 灰色粉末喷涂	M20	M20	-
T1629160221-000	H16A HOUSING, SURFACE MOUNTED, STEEL SINGLE LOCKING, 2PG21, ALUMINIUM ALLOY PROTECTION COVER, POWDER COATED, GREY H16A下壳, 表面安装, 金属单扣, 2PG21, 带铝合金保护盖, 灰色粉末喷涂	PG21	PG21	-
T1629160225-000	H16A HOUSING, SURFACE MOUNTED, STEEL SINGLE LOCKING, 2M25, ALUMINIUM ALLOY PROTECTION COVER, POWDER COATED, GREY H16A下壳, 表面安装, 金属单扣, 2M25, 带铝合金保护盖, 灰色粉末喷涂	M25	M25	-
T1629162116-000	H16A HOUSING, SURFACE MOUNTED, STEEL SINGLE LOCKING, PG16, PLASTIC PROTECTION COVER, POWDER COATED, GREY H16A下壳, 表面安装, 金属单扣, PG16, 带塑料保护盖, 灰色粉末喷涂	PG16	-	-
T1629162120-000	H16A HOUSING, SURFACE MOUNTED, STEEL SINGLE LOCKING, M20, PLASTIC PROTECTION COVER, POWDER COATED, GREY H16A下壳, 表面安装, 金属单扣, M20, 带塑料保护盖, 灰色粉末喷涂	M20	-	-
T1629162121-000	H16A HOUSING, SURFACE MOUNTED, STEEL SINGLE LOCKING, PG21, PLASTIC PROTECTION COVER, POWDER COATED, GREY H16A下壳, 表面安装, 金属单扣, PG21, 带塑料保护盖, 灰色粉末喷涂	PG21	-	-
T1629162125-000	H16A HOUSING, SURFACE MOUNTED, STEEL SINGLE LOCKING, M25, PLASTIC PROTECTION COVER, POWDER COATED, GREY H16A下壳, 表面安装, 金属单扣, M25, 带塑料保护盖, 灰色粉末喷涂	M25	-	-
T1629162216-000	H16A HOUSING, SURFACE MOUNTED, STEEL SINGLE LOCKING, 2PG16, PLASTIC PROTECTION COVER, POWDER COATED, GREY H16A下壳, 表面安装, 金属单扣, 2PG16, 带塑料保护盖, 灰色粉末喷涂	PG16	PG16	-
T1629162220-000	H16A HOUSING, SURFACE MOUNTED, STEEL SINGLE LOCKING, 2M20, PLASTIC PROTECTION COVER, POWDER COATED, GREY H16A下壳, 表面安装, 金属单扣, 2M20, 带塑料保护盖, 灰色粉末喷涂	M20	M20	-
T1629162221-000	H16A HOUSING, SURFACE MOUNTED, STEEL SINGLE LOCKING, 2PG21, PLASTIC PROTECTION COVER, POWDER COATED, GREY H16A下壳, 表面安装, 金属单扣, 2PG21, 带塑料保护盖, 灰色粉末喷涂	PG21	PG21	-
T1629162225-000	H16A HOUSING, SURFACE MOUNTED, STEEL SINGLE LOCKING, 2M25, PLASTIC PROTECTION COVER, POWDER COATED, GREY H16A下壳, 表面安装, 金属单扣, 2M25, 带塑料保护盖, 灰色粉末喷涂	M25	M25	-

THIS DRAWING IS A CONTROLLED DOCUMENT. DWN DAVID LI 08MAY2015  
CHK CHRIS WANG 08MAY2015  
APVD XLANG YU 08MAY2015

TE Connectivity

NAME: H16A-SGR\*/SDRM\*/SDR\*-PG/M

PRODUCT SPEC: 108-137010  
APPLICATION SPEC: 114-137010


SIZE: A1  
SCALE: 4:5  
SHEET: 1 of 2

CUSTOMER DRAWING

REVISIONS				
REV	LTN	DESCRIPTION	DATE	APPV
-	-	SEE SHEET 1	-	-

NOTES:  
SEE SHEET 1

PART NUMBER	DESCRIPTION	PG/M THREAD 1	PG/M THREAD 2	TYPE
TI619161116-000	HI6A-SGRS-PG16 HI6A HOUSING, SURFACE MOUNTED, STAINLESS STEEL SINGLE LOCKING, PG16, POWDER COATED, GREY HI6A下壳, 表面安装, 不锈钢单扣, PG16, 灰色粉末喷涂	PG16	-	TYPE 4
TI619161120-000	HI6A-SGRS-M20 HI6A HOUSING, SURFACE MOUNTED, STAINLESS STEEL SINGLE LOCKING, M20, POWDER COATED, GREY HI6A下壳, 表面安装, 不锈钢单扣, M20, 灰色粉末喷涂	M20	-	
TI619161121-000	HI6A-SGRS-PG21 HI6A HOUSING, SURFACE MOUNTED, STAINLESS STEEL SINGLE LOCKING, PG21, POWDER COATED, GREY HI6A下壳, 表面安装, 不锈钢单扣, PG21, 灰色粉末喷涂	PG21	-	
TI619161125-000	HI6A-SGRS-M25 HI6A HOUSING, SURFACE MOUNTED, STAINLESS STEEL SINGLE LOCKING, M25, POWDER COATED, GREY HI6A下壳, 表面安装, 不锈钢单扣, M25, 灰色粉末喷涂	M25	-	
TI619161216-000	HI6A-SGRS-2PG16 HI6A HOUSING, SURFACE MOUNTED, STAINLESS STEEL SINGLE LOCKING, 2PG16, POWDER COATED, GREY HI6A下壳, 表面安装, 不锈钢单扣, 2PG16, 灰色粉末喷涂	PG16	PG16	
TI619161220-000	HI6A-SGRS-2M20 HI6A HOUSING, SURFACE MOUNTED, STAINLESS STEEL SINGLE LOCKING, 2M20, POWDER COATED, GREY HI6A下壳, 表面安装, 不锈钢单扣, 2M20, 灰色粉末喷涂	M20	M20	
TI619161221-000	HI6A-SGRS-2PG21 HI6A HOUSING, SURFACE MOUNTED, STAINLESS STEEL SINGLE LOCKING, 2PG21, POWDER COATED, GREY HI6A下壳, 表面安装, 不锈钢单扣, 2PG21, 灰色粉末喷涂	PG21	PG21	TYPE 5
TI619161225-000	HI6A-SGRS-2M25 HI6A HOUSING, SURFACE MOUNTED, STAINLESS STEEL SINGLE LOCKING, 2M25, POWDER COATED, GREY HI6A下壳, 表面安装, 不锈钢单扣, 2M25, 灰色粉末喷涂	M25	M25	
TI629161116-000	HI6A-SDRMS-PG16 HI6A HOUSING, SURFACE MOUNTED, STAINLESS STEEL SINGLE LOCKING, PG16, ALUMINIUM ALLOY PROTECTION COVER, POWDER COATED, GREY HI6A下壳, 表面安装, 不锈钢单扣, PG16, 带铝合金保护层, 灰色粉末喷涂	PG16	-	
TI629161120-000	HI6A-SDRMS-M20 HI6A HOUSING, SURFACE MOUNTED, STAINLESS STEEL SINGLE LOCKING, M20, ALUMINIUM ALLOY PROTECTION COVER, POWDER COATED, GREY HI6A下壳, 表面安装, 不锈钢单扣, M20, 带铝合金保护层, 灰色粉末喷涂	M20	-	
TI629161121-000	HI6A-SDRMS-PG21 HI6A HOUSING, SURFACE MOUNTED, STAINLESS STEEL SINGLE LOCKING, PG21, ALUMINIUM ALLOY PROTECTION COVER, POWDER COATED, GREY HI6A下壳, 表面安装, 不锈钢单扣, PG21, 带铝合金保护层, 灰色粉末喷涂	PG21	-	
TI629161125-000	HI6A-SDRMS-M25 HI6A HOUSING, SURFACE MOUNTED, STAINLESS STEEL SINGLE LOCKING, M25, ALUMINIUM ALLOY PROTECTION COVER, POWDER COATED, GREY HI6A下壳, 表面安装, 不锈钢单扣, M25, 带铝合金保护层, 灰色粉末喷涂	M25	-	
TI629161216-000	HI6A-SDRMS-2PG16 HI6A HOUSING, SURFACE MOUNTED, STAINLESS STEEL SINGLE LOCKING, 2PG16, ALUMINIUM ALLOY PROTECTION COVER, POWDER COATED, GREY HI6A下壳, 表面安装, 不锈钢单扣, 2PG16, 带铝合金保护层, 灰色粉末喷涂	PG16	PG16	TYPE 6
TI629161220-000	HI6A-SDRMS-2M20 HI6A HOUSING, SURFACE MOUNTED, STAINLESS STEEL SINGLE LOCKING, 2M20, ALUMINIUM ALLOY PROTECTION COVER, POWDER COATED, GREY HI6A下壳, 表面安装, 不锈钢单扣, 2M20, 带铝合金保护层, 灰色粉末喷涂	M20	M20	
TI629161221-000	HI6A-SDRMS-2PG21 HI6A HOUSING, SURFACE MOUNTED, STAINLESS STEEL SINGLE LOCKING, 2PG21, ALUMINIUM ALLOY PROTECTION COVER, POWDER COATED, GREY HI6A下壳, 表面安装, 不锈钢单扣, 2PG21, 带铝合金保护层, 灰色粉末喷涂	PG21	PG21	
TI629161225-000	HI6A-SDRMS-2M25 HI6A HOUSING, SURFACE MOUNTED, STAINLESS STEEL SINGLE LOCKING, 2M25, ALUMINIUM ALLOY PROTECTION COVER, POWDER COATED, GREY HI6A下壳, 表面安装, 不锈钢单扣, 2M25, 带铝合金保护层, 灰色粉末喷涂	M25	M25	
TI629163116-000	HI6A-SDRS-PG16 HI6A HOUSING, SURFACE MOUNTED, STAINLESS STEEL SINGLE LOCKING, PG16, PLASTIC PROTECTION COVER, POWDER COATED, GREY HI6A下壳, 表面安装, 不锈钢单扣, PG16, 带塑料保护层, 灰色粉末喷涂	PG16	-	
TI629163120-000	HI6A-SDRS-M20 HI6A HOUSING, SURFACE MOUNTED, STAINLESS STEEL SINGLE LOCKING, M20, PLASTIC PROTECTION COVER, POWDER COATED, GREY HI6A下壳, 表面安装, 不锈钢单扣, M20, 带塑料保护层, 灰色粉末喷涂	M20	-	
TI629163121-000	HI6A-SDRS-PG21 HI6A HOUSING, SURFACE MOUNTED, STAINLESS STEEL SINGLE LOCKING, PG21, PLASTIC PROTECTION COVER, POWDER COATED, GREY HI6A下壳, 表面安装, 不锈钢单扣, PG21, 带塑料保护层, 灰色粉末喷涂	PG21	-	TYPE 6
TI629163125-000	HI6A-SDRS-M25 HI6A HOUSING, SURFACE MOUNTED, STAINLESS STEEL SINGLE LOCKING, M25, PLASTIC PROTECTION COVER, POWDER COATED, GREY HI6A下壳, 表面安装, 不锈钢单扣, M25, 带塑料保护层, 灰色粉末喷涂	M25	-	
TI629163216-000	HI6A-SDRS-2PG16 HI6A HOUSING, SURFACE MOUNTED, STAINLESS STEEL SINGLE LOCKING, 2PG16, PLASTIC PROTECTION COVER, POWDER COATED, GREY HI6A下壳, 表面安装, 不锈钢单扣, 2PG16, 带塑料保护层, 灰色粉末喷涂	PG16	PG16	
TI629163220-000	HI6A-SDRS-2M20 HI6A HOUSING, SURFACE MOUNTED, STAINLESS STEEL SINGLE LOCKING, 2M20, PLASTIC PROTECTION COVER, POWDER COATED, GREY HI6A下壳, 表面安装, 不锈钢单扣, 2M20, 带塑料保护层, 灰色粉末喷涂	M20	M20	
TI629163221-000	HI6A-SDRS-2PG21 HI6A HOUSING, SURFACE MOUNTED, STAINLESS STEEL SINGLE LOCKING, 2PG21, PLASTIC PROTECTION COVER, POWDER COATED, GREY HI6A下壳, 表面安装, 不锈钢单扣, 2PG21, 带塑料保护层, 灰色粉末喷涂	PG21	PG21	
TI629163225-000	HI6A-SDRS-2M25 HI6A HOUSING, SURFACE MOUNTED, STAINLESS STEEL SINGLE LOCKING, 2M25, PLASTIC PROTECTION COVER, POWDER COATED, GREY HI6A下壳, 表面安装, 不锈钢单扣, 2M25, 带塑料保护层, 灰色粉末喷涂	M25	M25	
PART NUMBER 料号	PART DESCRIPTION 描述	PG/M THREAD 1 PG/M 螺纹孔1	PG/M THREAD 2 PG/M 螺纹孔2	TYPE 类型

THIS DRAWING IS A CONTROLLED DOCUMENT.		OWN DAVID LI 08MAY2015	 TE Connectivity
DIMENSIONS: mm		CHK CHRIS WANG 08MAY2015	
TOLERANCES UNLESS OTHERWISE SPECIFIED:		APVD XIANG YU 08MAY2015	NAME HI6A-SGR*/SDRM*/SDR*-PG/M
0 PLC ± 2 PLC ± 3 PLC ± 4 PLC ± ANGLES ± FINISH ±		PRODUCT SPEC 108-137010	SIZE A1
MATERIAL		APPLICATION SPEC 114-137010	CAGE CODE -
		WEIGHT	DRAWING NO. C-T16X916XXXX000
		CUSTOMER DRAWING	RESTRICTED TO
		SCALE 4:5	SHEET 2 OF 2
			REV B

## X-ON Electronics

Largest Supplier of Electrical and Electronic Components

*Click to view similar products for [Heavy Duty Power Connectors](#) category:*

*Click to view products by [TE Connectivity](#) manufacturer:*

Other Similar products are found below :

[1424439](#) [1424438](#) [09330062652](#) [2-8675P1](#) [605601-1](#) [6340G1](#) [6341G1](#) [6360G1](#) [6373G1](#) [6374g2](#) [6396G1](#) [647757-1](#) [66394-4](#) [6643411-1](#)  
[6646058-2](#) [6646137-1](#) [6646138-1](#) [6646348-1](#) [6646479-1](#) [6646608-1](#) [6646786-1](#) [6646940-1](#) [6651091-1](#) [6651525-1](#) [6651529-1](#) [6651778-1](#)  
[6651788-1](#) [696465-1](#) [696475-1](#) [73000005059](#) [73000005349](#) [73000005642](#) [73080255059](#) [73080965046](#) [765-15-0080A](#) [765-16-0080B](#)  
[789.700-44](#) [789.700-54](#) [80-1010](#) [80-9](#) [827381-1](#) [829992-1](#) [902-77-02113](#) [PL00U-301-10D10](#) [PM103MOOLOO](#) [PM16S1620S32-50](#)  
[PM212MOOLOO](#) [PM309FOOLOO](#) [PM324FOOLCH](#) [PMHPAF11S03](#)