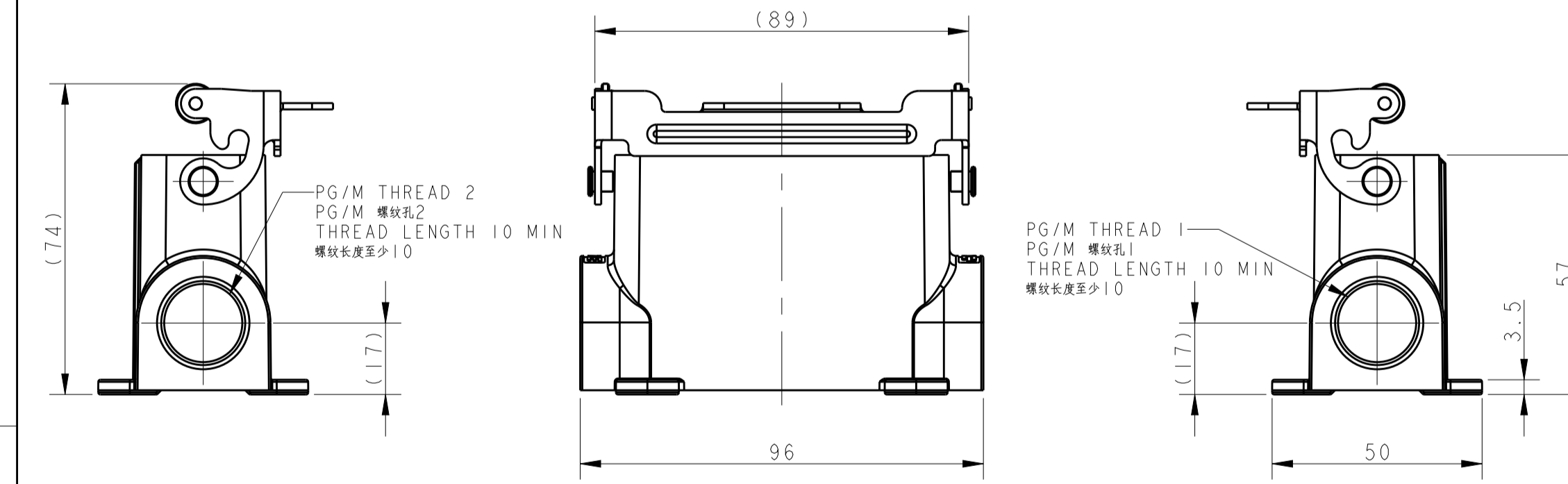
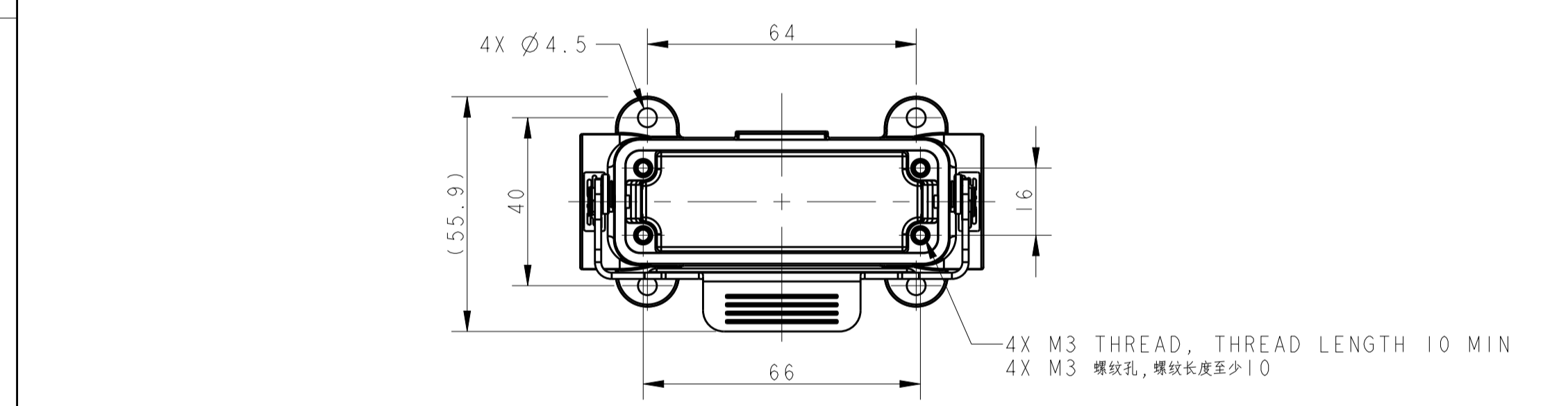


TYPE 1
H16A HOUSING, SURFACE MOUNTED, STEEL SINGLE LOCKING, POWDER COATED, GREY
类型 1
H16A下壳, 表面安装, 金属单扣, 灰色粉末喷涂

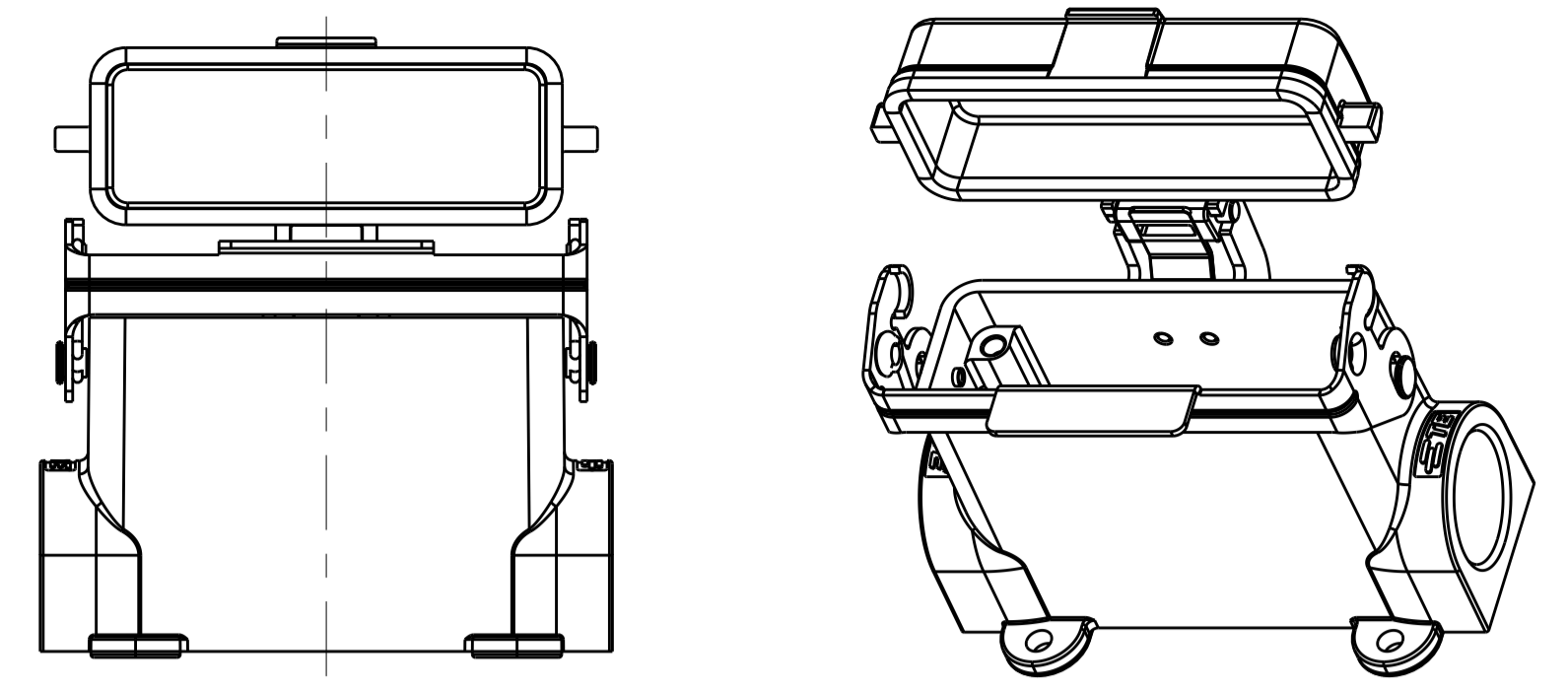
OBsolete TYPE 1 PN
废弃类型1金属扣壳体料号



TYPE 4
H16A HOUSING, SURFACE MOUNTED, STAINLESS STEEL SINGLE LOCKING, POWDER COATED, GREY
类型 4
H16A下壳, 表面安装, 不锈钢单扣, 灰色粉末喷涂

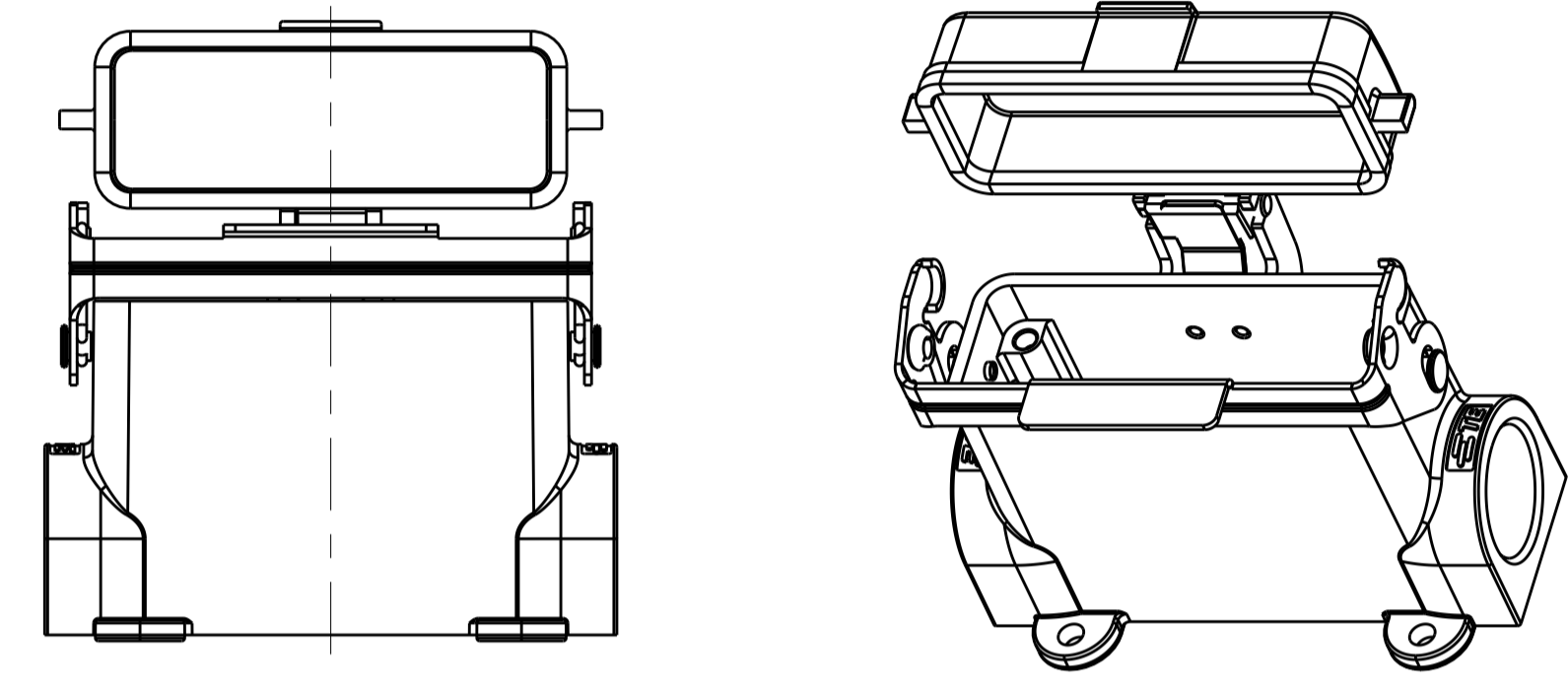
NOTES:
1. TECHNICAL CHARACTERISTICS:
BODY MATERIAL: DIE CAST ALUMINIUM ALLOY
SURFACE TREATMENT: POWDER COATED, GREY
DEGREE OF PROTECTION: IP65 (MATED)

注释:
1. 技术参数:
主体材料: 铝合金
表面处理: 灰色粉末喷涂
防护等级: IP65(配合)



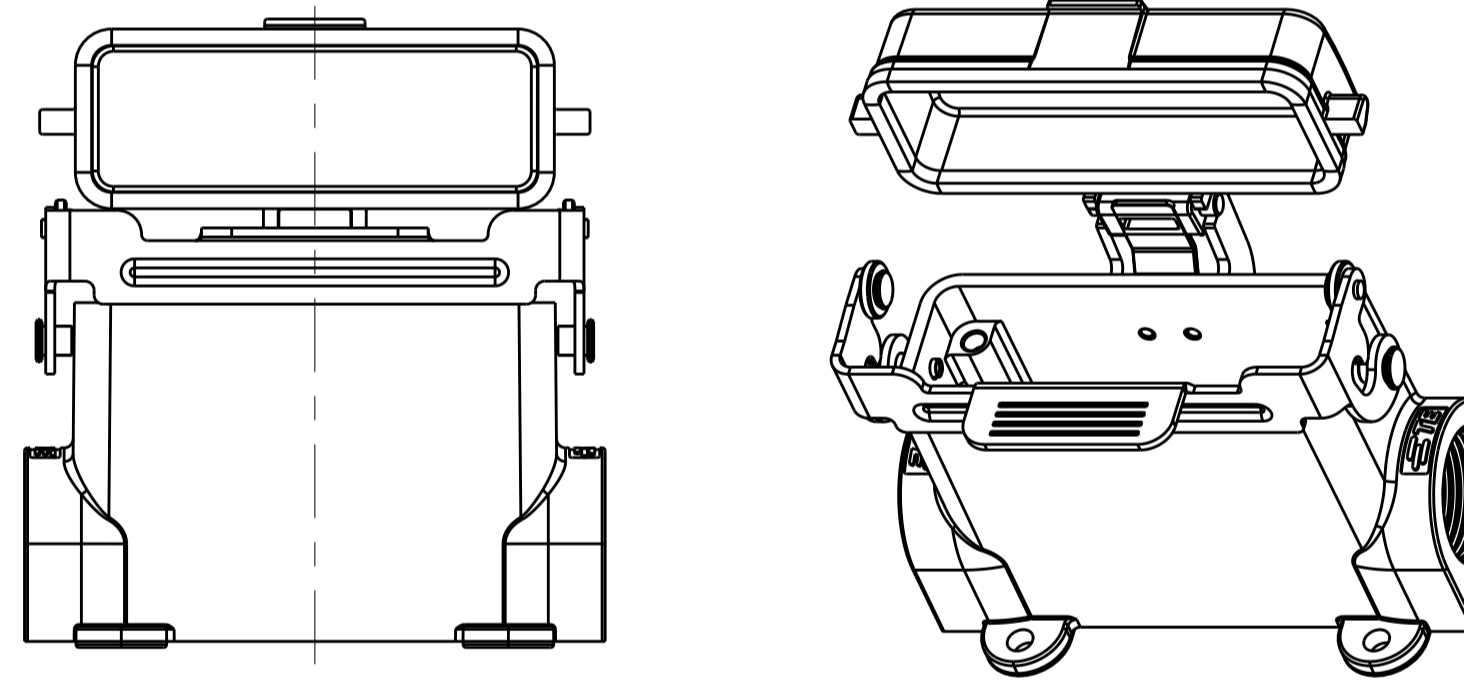
TYPE 2
H16A HOUSING, SURFACE MOUNTED, STEEL SINGLE LOCKING, ALUMINIUM ALLOY PROTECTION COVER, POWDER COATED, GREY
OTHER SPEC REFER TO TYPE 1
类型 2
H16A下壳, 表面安装, 金属单扣, 带铝合金保护盖, 灰色粉末喷涂
未标注规格参考类型1

OBsolete TYPE 2 PN
废弃类型2金属扣壳体料号

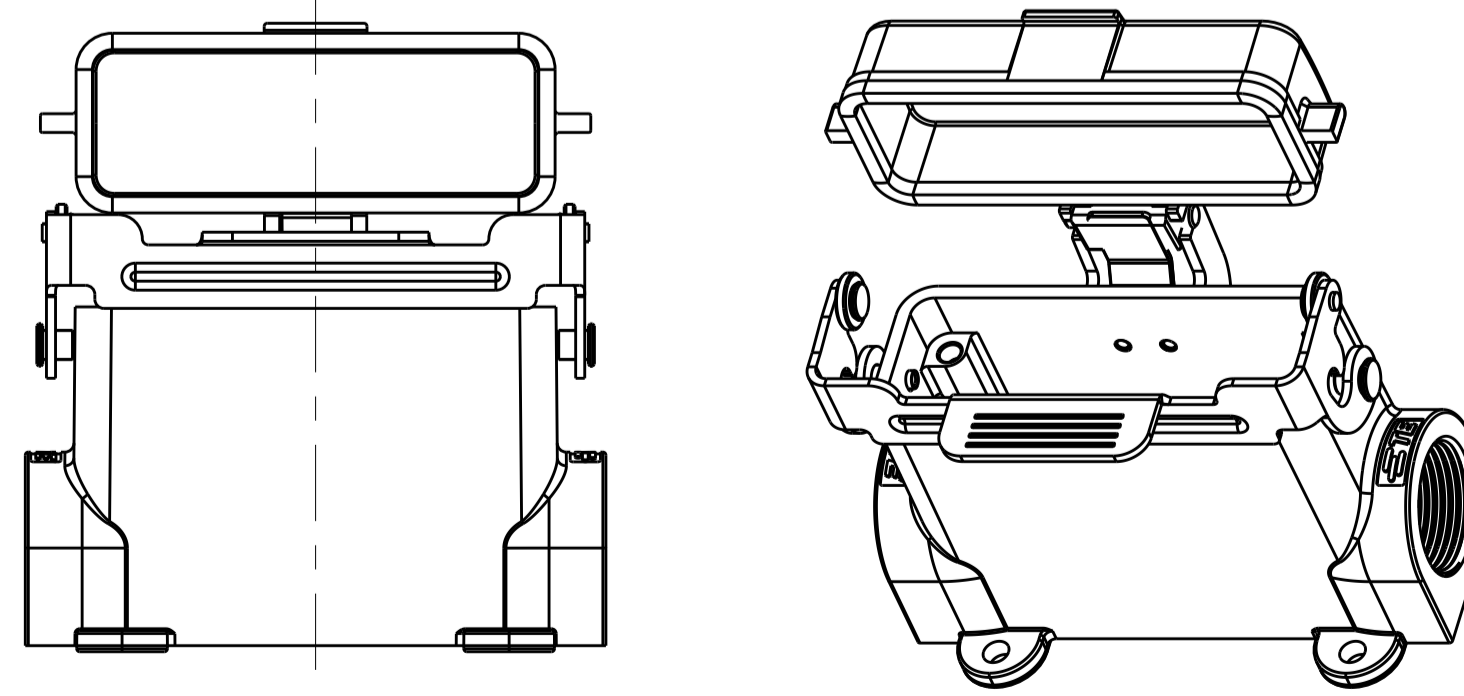


TYPE 3
H16A HOUSING, SURFACE MOUNTED, STEEL SINGLE LOCKING, PLASTIC PROTECTION COVER, POWDER COATED, GREY
OTHER SPEC REFER TO TYPE 1
类型 3
H16A下壳, 表面安装, 金属单扣, 带塑料保护盖, 灰色粉末喷涂
未标注规格参考类型1

OBsolete TYPE 3 PN
废弃类型3金属扣壳体料号



TYPE 5
H16A HOUSING, SURFACE MOUNTED, STAINLESS STEEL SINGLE LOCKING, ALUMINIUM ALLOY PROTECTION COVER, POWDER COATED, GREY
OTHER SPEC REFER TO TYPE 4
类型 5
H16A下壳, 表面安装, 不锈钢单扣, 带铝合金保护盖, 灰色粉末喷涂
未标注规格参考类型4



TYPE 6
H16A HOUSING, SURFACE MOUNTED, STAINLESS STEEL SINGLE LOCKING, PLASTIC PROTECTION COVER, POWDER COATED, GREY
OTHER SPEC REFER TO TYPE 4
类型 6
H16A下壳, 表面安装, 不锈钢单扣, 带塑料保护盖, 灰色粉末喷涂
未标注规格参考类型4

REVISIONS				
P	LTN	DESCRIPTION	DATE	OWN APVD
A		INITIAL RELEASE	08MAY2015	DL CW
A1		ECR-16-018055	19JAN2017	DL CW
A2		ECR-17-005386	08APR2017	CH CW
B		ECR-18-012608	14AUG2018	CH CW

OBsolete TYPE 1&2&3 PN
废弃类型1/类型2/类型3金属扣壳体料号

PART NUMBER	PART DESCRIPTION	PG/M THREAD 1	PG/M THREAD 2	TYPE
料号	描述	PG/M 螺紋孔1	PG/M 螺紋孔2	类型
T1619160116-000	H16A HOUSING, SURFACE MOUNTED, STEEL SINGLE LOCKING, PG16, POWDER COATED, GREY H16A下壳, 表面安装, 金属单扣, PG16, 灰色粉末喷涂	PG16	-	-
T1619160120-000	H16A HOUSING, SURFACE MOUNTED, STEEL SINGLE LOCKING, M20, POWDER COATED, GREY H16A下壳, 表面安装, 金属单扣, M20, 灰色粉末喷涂	M20	-	-
T1619160121-000	H16A HOUSING, SURFACE MOUNTED, STEEL SINGLE LOCKING, PG21, POWDER COATED, GREY H16A下壳, 表面安装, 金属单扣, PG21, 灰色粉末喷涂	PG21	-	-
T1619160125-000	H16A HOUSING, SURFACE MOUNTED, STEEL SINGLE LOCKING, M25, POWDER COATED, GREY H16A下壳, 表面安装, 金属单扣, M25, 灰色粉末喷涂	M25	-	-
T1619160216-000	H16A HOUSING, SURFACE MOUNTED, STEEL SINGLE LOCKING, 2PG16, POWDER COATED, GREY H16A下壳, 表面安装, 金属单扣, 2PG16, 灰色粉末喷涂	PG16	PG16	-
T1619160220-000	H16A HOUSING, SURFACE MOUNTED, STEEL SINGLE LOCKING, 2M20, POWDER COATED, GREY H16A下壳, 表面安装, 金属单扣, 2M20, 灰色粉末喷涂	M20	M20	-
T1619160221-000	H16A HOUSING, SURFACE MOUNTED, STEEL SINGLE LOCKING, 2PG21, POWDER COATED, GREY H16A下壳, 表面安装, 金属单扣, 2PG21, 灰色粉末喷涂	PG21	PG21	-
T1619160225-000	H16A HOUSING, SURFACE MOUNTED, STEEL SINGLE LOCKING, 2M25, POWDER COATED, GREY H16A下壳, 表面安装, 金属单扣, 2M25, 灰色粉末喷涂	M25	M25	-
T1629160116-000	H16A HOUSING, SURFACE MOUNTED, STEEL SINGLE LOCKING, PG16, ALUMINIUM ALLOY PROTECTION COVER, POWDER COATED, GREY H16A下壳, 表面安装, 金属单扣, PG16, 带铝合金保护盖, 灰色粉末喷涂	PG16	-	-
T1629160120-000	H16A HOUSING, SURFACE MOUNTED, STEEL SINGLE LOCKING, M20, ALUMINIUM ALLOY PROTECTION COVER, POWDER COATED, GREY H16A下壳, 表面安装, 金属单扣, M20, 带铝合金保护盖, 灰色粉末喷涂	M20	-	-
T1629160121-000	H16A HOUSING, SURFACE MOUNTED, STEEL SINGLE LOCKING, PG21, ALUMINIUM ALLOY PROTECTION COVER, POWDER COATED, GREY H16A下壳, 表面安装, 金属单扣, PG21, 带铝合金保护盖, 灰色粉末喷涂	PG21	-	-
T1629160125-000	H16A HOUSING, SURFACE MOUNTED, STEEL SINGLE LOCKING, M25, ALUMINIUM ALLOY PROTECTION COVER, POWDER COATED, GREY H16A下壳, 表面安装, 金属单扣, M25, 带铝合金保护盖, 灰色粉末喷涂	M25	-	-
T1629160216-000	H16A HOUSING, SURFACE MOUNTED, STEEL SINGLE LOCKING, 2PG16, ALUMINIUM ALLOY PROTECTION COVER, POWDER COATED, GREY H16A下壳, 表面安装, 金属单扣, 2PG16, 带铝合金保护盖, 灰色粉末喷涂	PG16	PG16	-
T1629160220-000	H16A HOUSING, SURFACE MOUNTED, STEEL SINGLE LOCKING, 2M20, ALUMINIUM ALLOY PROTECTION COVER, POWDER COATED, GREY H16A下壳, 表面安装, 金属单扣, 2M20, 带铝合金保护盖, 灰色粉末喷涂	M20	M20	-
T1629160221-000	H16A HOUSING, SURFACE MOUNTED, STEEL SINGLE LOCKING, 2PG21, ALUMINIUM ALLOY PROTECTION COVER, POWDER COATED, GREY H16A下壳, 表面安装, 金属单扣, 2PG21, 带铝合金保护盖, 灰色粉末喷涂	PG21	PG21	-
T1629160225-000	H16A HOUSING, SURFACE MOUNTED, STEEL SINGLE LOCKING, 2M25, ALUMINIUM ALLOY PROTECTION COVER, POWDER COATED, GREY H16A下壳, 表面安装, 金属单扣, 2M25, 带铝合金保护盖, 灰色粉末喷涂	M25	M25	-
T1629162116-000	H16A HOUSING, SURFACE MOUNTED, STEEL SINGLE LOCKING, PG16, PLASTIC PROTECTION COVER, POWDER COATED, GREY H16A下壳, 表面安装, 金属单扣, PG16, 带塑料保护盖, 灰色粉末喷涂	PG16	-	-
T1629162120-000	H16A HOUSING, SURFACE MOUNTED, STEEL SINGLE LOCKING, M20, PLASTIC PROTECTION COVER, POWDER COATED, GREY H16A下壳, 表面安装, 金属单扣, M20, 带塑料保护盖, 灰色粉末喷涂	M20	-	-
T1629162121-000	H16A HOUSING, SURFACE MOUNTED, STEEL SINGLE LOCKING, PG21, PLASTIC PROTECTION COVER, POWDER COATED, GREY H16A下壳, 表面安装, 金属单扣, PG21, 带塑料保护盖, 灰色粉末喷涂	PG21	-	-
T1629162125-000	H16A HOUSING, SURFACE MOUNTED, STEEL SINGLE LOCKING, M25, PLASTIC PROTECTION COVER, POWDER COATED, GREY H16A下壳, 表面安装, 金属单扣, M25, 带塑料保护盖, 灰色粉末喷涂	M25	-	-
T1629162216-000	H16A HOUSING, SURFACE MOUNTED, STEEL SINGLE LOCKING, 2PG16, PLASTIC PROTECTION COVER, POWDER COATED, GREY H16A下壳, 表面安装, 金属单扣, 2PG16, 带塑料保护盖, 灰色粉末喷涂	PG16	PG16	-
T1629162220-000	H16A HOUSING, SURFACE MOUNTED, STEEL SINGLE LOCKING, 2M20, PLASTIC PROTECTION COVER, POWDER COATED, GREY H16A下壳, 表面安装, 金属单扣, 2M20, 带塑料保护盖, 灰色粉末喷涂	M20	M20	-
T1629162221-000	H16A HOUSING, SURFACE MOUNTED, STEEL SINGLE LOCKING, 2PG21, PLASTIC PROTECTION COVER, POWDER COATED, GREY H16A下壳, 表面安装, 金属单扣, 2PG21, 带塑料保护盖, 灰色粉末喷涂	PG21	PG21	-
T1629162225-000	H16A HOUSING, SURFACE MOUNTED, STEEL SINGLE LOCKING, 2M25, PLASTIC PROTECTION COVER, POWDER COATED, GREY H16A下壳, 表面安装, 金属单扣, 2M25, 带塑料保护盖, 灰色粉末喷涂	M25	M25	-

THIS DRAWING IS A CONTROLLED DOCUMENT. DWN DAVID LI 08MAY2015
CHK CHRIS WANG 08MAY2015
APVD XLANG YU 08MAY2015

STE TE Connectivity

H16A-SGR*/SDRM*/SDR*-PG/M


PRODUCT SPEC 108-137010
APPLICATION SPEC 114-137010

SIZE A1 CAGE CODE DRAWING NO. RESTRICTED TO
SCALE 4:5 SHEET 1 OF 2 REV B

REVISIONS				
REV	LTN	DESCRIPTION	DATE	APPV
-	-	SEE SHEET 1	-	-

NOTES:
SEE SHEET 1

PART NUMBER	DESCRIPTION	PG/M THREAD 1	PG/M THREAD 2	TYPE
TI619161116-000	HI6A-SGRS-PG16 HI6A HOUSING, SURFACE MOUNTED, STAINLESS STEEL SINGLE LOCKING, PG16, POWDER COATED, GREY HI6A下壳, 表面安装, 不锈钢单扣, PG16, 灰色粉末喷涂	PG16	-	TYPE 4
TI619161120-000	HI6A-SGRS-M20 HI6A HOUSING, SURFACE MOUNTED, STAINLESS STEEL SINGLE LOCKING, M20, POWDER COATED, GREY HI6A下壳, 表面安装, 不锈钢单扣, M20, 灰色粉末喷涂	M20	-	
TI619161121-000	HI6A-SGRS-PG21 HI6A HOUSING, SURFACE MOUNTED, STAINLESS STEEL SINGLE LOCKING, PG21, POWDER COATED, GREY HI6A下壳, 表面安装, 不锈钢单扣, PG21, 灰色粉末喷涂	PG21	-	
TI619161125-000	HI6A-SGRS-M25 HI6A HOUSING, SURFACE MOUNTED, STAINLESS STEEL SINGLE LOCKING, M25, POWDER COATED, GREY HI6A下壳, 表面安装, 不锈钢单扣, M25, 灰色粉末喷涂	M25	-	
TI619161216-000	HI6A-SGRS-2PG16 HI6A HOUSING, SURFACE MOUNTED, STAINLESS STEEL SINGLE LOCKING, 2PG16, POWDER COATED, GREY HI6A下壳, 表面安装, 不锈钢单扣, 2PG16, 灰色粉末喷涂	PG16	PG16	
TI619161220-000	HI6A-SGRS-2M20 HI6A HOUSING, SURFACE MOUNTED, STAINLESS STEEL SINGLE LOCKING, 2M20, POWDER COATED, GREY HI6A下壳, 表面安装, 不锈钢单扣, 2M20, 灰色粉末喷涂	M20	M20	
TI619161221-000	HI6A-SGRS-2PG21 HI6A HOUSING, SURFACE MOUNTED, STAINLESS STEEL SINGLE LOCKING, 2PG21, POWDER COATED, GREY HI6A下壳, 表面安装, 不锈钢单扣, 2PG21, 灰色粉末喷涂	PG21	PG21	
TI619161225-000	HI6A-SGRS-2M25 HI6A HOUSING, SURFACE MOUNTED, STAINLESS STEEL SINGLE LOCKING, 2M25, POWDER COATED, GREY HI6A下壳, 表面安装, 不锈钢单扣, 2M25, 灰色粉末喷涂	M25	M25	
TI629161116-000	HI6A-SDRMS-PG16 HI6A HOUSING, SURFACE MOUNTED, STAINLESS STEEL SINGLE LOCKING, PG16, ALUMINIUM ALLOY PROTECTION COVER, POWDER COATED, GREY HI6A下壳, 表面安装, 不锈钢单扣, PG16, 带铝合金保护层, 灰色粉末喷涂	PG16	-	TYPE 5
TI629161120-000	HI6A-SDRMS-M20 HI6A HOUSING, SURFACE MOUNTED, STAINLESS STEEL SINGLE LOCKING, M20, ALUMINIUM ALLOY PROTECTION COVER, POWDER COATED, GREY HI6A下壳, 表面安装, 不锈钢单扣, M20, 带铝合金保护层, 灰色粉末喷涂	M20	-	
TI629161121-000	HI6A-SDRMS-PG21 HI6A HOUSING, SURFACE MOUNTED, STAINLESS STEEL SINGLE LOCKING, PG21, ALUMINIUM ALLOY PROTECTION COVER, POWDER COATED, GREY HI6A下壳, 表面安装, 不锈钢单扣, PG21, 带铝合金保护层, 灰色粉末喷涂	PG21	-	
TI629161125-000	HI6A-SDRMS-M25 HI6A HOUSING, SURFACE MOUNTED, STAINLESS STEEL SINGLE LOCKING, M25, ALUMINIUM ALLOY PROTECTION COVER, POWDER COATED, GREY HI6A下壳, 表面安装, 不锈钢单扣, M25, 带铝合金保护层, 灰色粉末喷涂	M25	-	
TI629161216-000	HI6A-SDRMS-2PG16 HI6A HOUSING, SURFACE MOUNTED, STAINLESS STEEL SINGLE LOCKING, 2PG16, ALUMINIUM ALLOY PROTECTION COVER, POWDER COATED, GREY HI6A下壳, 表面安装, 不锈钢单扣, 2PG16, 带铝合金保护层, 灰色粉末喷涂	PG16	PG16	
TI629161220-000	HI6A-SDRMS-2M20 HI6A HOUSING, SURFACE MOUNTED, STAINLESS STEEL SINGLE LOCKING, 2M20, ALUMINIUM ALLOY PROTECTION COVER, POWDER COATED, GREY HI6A下壳, 表面安装, 不锈钢单扣, 2M20, 带铝合金保护层, 灰色粉末喷涂	M20	M20	
TI629161221-000	HI6A-SDRMS-2PG21 HI6A HOUSING, SURFACE MOUNTED, STAINLESS STEEL SINGLE LOCKING, 2PG21, ALUMINIUM ALLOY PROTECTION COVER, POWDER COATED, GREY HI6A下壳, 表面安装, 不锈钢单扣, 2PG21, 带铝合金保护层, 灰色粉末喷涂	PG21	PG21	
TI629161225-000	HI6A-SDRMS-2M25 HI6A HOUSING, SURFACE MOUNTED, STAINLESS STEEL SINGLE LOCKING, 2M25, ALUMINIUM ALLOY PROTECTION COVER, POWDER COATED, GREY HI6A下壳, 表面安装, 不锈钢单扣, 2M25, 带铝合金保护层, 灰色粉末喷涂	M25	M25	
TI629163116-000	HI6A-SDRS-PG16 HI6A HOUSING, SURFACE MOUNTED, STAINLESS STEEL SINGLE LOCKING, PG16, PLASTIC PROTECTION COVER, POWDER COATED, GREY HI6A下壳, 表面安装, 不锈钢单扣, PG16, 带塑料保护层, 灰色粉末喷涂	PG16	-	TYPE 6
TI629163120-000	HI6A-SDRS-M20 HI6A HOUSING, SURFACE MOUNTED, STAINLESS STEEL SINGLE LOCKING, M20, PLASTIC PROTECTION COVER, POWDER COATED, GREY HI6A下壳, 表面安装, 不锈钢单扣, M20, 带塑料保护层, 灰色粉末喷涂	M20	-	
TI629163121-000	HI6A-SDRS-PG21 HI6A HOUSING, SURFACE MOUNTED, STAINLESS STEEL SINGLE LOCKING, PG21, PLASTIC PROTECTION COVER, POWDER COATED, GREY HI6A下壳, 表面安装, 不锈钢单扣, PG21, 带塑料保护层, 灰色粉末喷涂	PG21	-	
TI629163125-000	HI6A-SDRS-M25 HI6A HOUSING, SURFACE MOUNTED, STAINLESS STEEL SINGLE LOCKING, M25, PLASTIC PROTECTION COVER, POWDER COATED, GREY HI6A下壳, 表面安装, 不锈钢单扣, M25, 带塑料保护层, 灰色粉末喷涂	M25	-	
TI629163216-000	HI6A-SDRS-2PG16 HI6A HOUSING, SURFACE MOUNTED, STAINLESS STEEL SINGLE LOCKING, 2PG16, PLASTIC PROTECTION COVER, POWDER COATED, GREY HI6A下壳, 表面安装, 不锈钢单扣, 2PG16, 带塑料保护层, 灰色粉末喷涂	PG16	PG16	
TI629163220-000	HI6A-SDRS-2M20 HI6A HOUSING, SURFACE MOUNTED, STAINLESS STEEL SINGLE LOCKING, 2M20, PLASTIC PROTECTION COVER, POWDER COATED, GREY HI6A下壳, 表面安装, 不锈钢单扣, 2M20, 带塑料保护层, 灰色粉末喷涂	M20	M20	
TI629163221-000	HI6A-SDRS-2PG21 HI6A HOUSING, SURFACE MOUNTED, STAINLESS STEEL SINGLE LOCKING, 2PG21, PLASTIC PROTECTION COVER, POWDER COATED, GREY HI6A下壳, 表面安装, 不锈钢单扣, 2PG21, 带塑料保护层, 灰色粉末喷涂	PG21	PG21	
TI629163225-000	HI6A-SDRS-2M25 HI6A HOUSING, SURFACE MOUNTED, STAINLESS STEEL SINGLE LOCKING, 2M25, PLASTIC PROTECTION COVER, POWDER COATED, GREY HI6A下壳, 表面安装, 不锈钢单扣, 2M25, 带塑料保护层, 灰色粉末喷涂	M25	M25	

THIS DRAWING IS A CONTROLLED DOCUMENT.		OWN: DAVID LI 08MAY2015	 TE Connectivity
DIMENSIONS: mm		CHK: CHRIS WANG 08MAY2015	
TOLERANCES UNLESS OTHERWISE SPECIFIED:		APVD: XILANG YU 08MAY2015	NAME: HI6A-SGR*/SDRM*/SDR*-PG/M
0 PLC ± 2 PLC ± 3 PLC ± 4 PLC ± ANGLES ± FINISH ±		PRODUCT SPEC: 108-137010	SIZE: A1
MATERIAL: -		APPLICATION SPEC: 114-137010	CAGE CODE: -
FINISH: -		WEIGHT: -	DRAWING NO: C-T16X916XXXX000
CUSTOMER DRAWING		SCALE: 4:5	SHEET 2 OF 2

X-ON Electronics

Largest Supplier of Electrical and Electronic Components

Click to view similar products for [Heavy Duty Power Connectors](#) category:

Click to view products by [TE Connectivity](#) manufacturer:

Other Similar products are found below :

[1424439](#) [1424438](#) [09330062652](#) [2-8675P1](#) [605601-1](#) [6340G1](#) [6341G1](#) [6360G1](#) [6373G1](#) [6374g2](#) [6396G1](#) [647757-1](#) [66394-4](#) [6643411-1](#)
[6646058-2](#) [6646137-1](#) [6646138-1](#) [6646348-1](#) [6646479-1](#) [6646608-1](#) [6646786-1](#) [6646940-1](#) [6651091-1](#) [6651525-1](#) [6651529-1](#) [6651778-1](#)
[6651788-1](#) [696465-1](#) [696475-1](#) [73000005059](#) [73000005349](#) [73000005642](#) [73080255059](#) [73080965046](#) [765-15-0080A](#) [765-16-0080B](#)
[789.700-44](#) [789.700-54](#) [80-1010](#) [80-9](#) [827381-1](#) [829992-1](#) [902-77-02113](#) [PL00U-301-10D10](#) [PM103MOOLOO](#) [PM16S1620S32-50](#)
[PM212MOOLOO](#) [PM309FOOLOO](#) [PM324FOOLCH](#) [PMHPAF11S03](#)