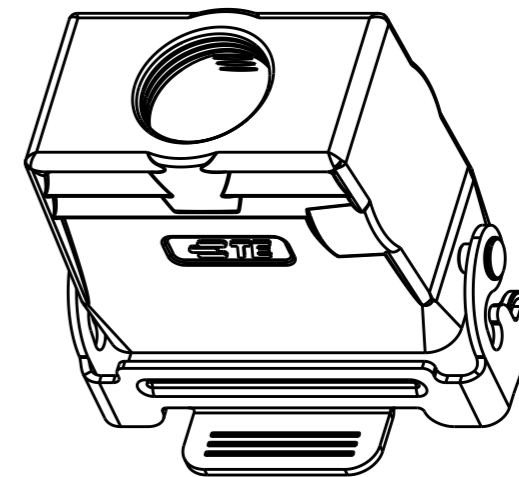
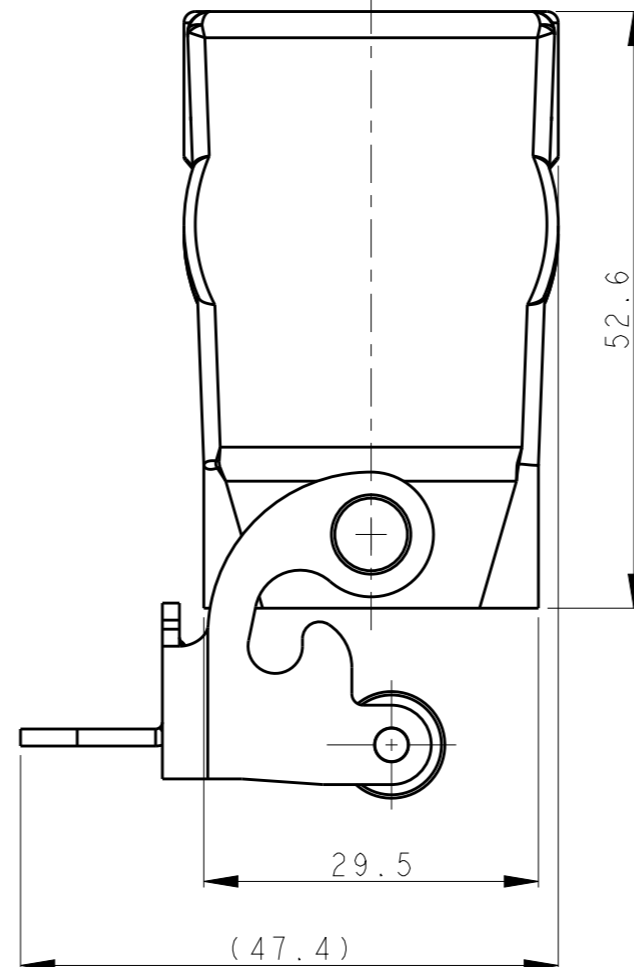
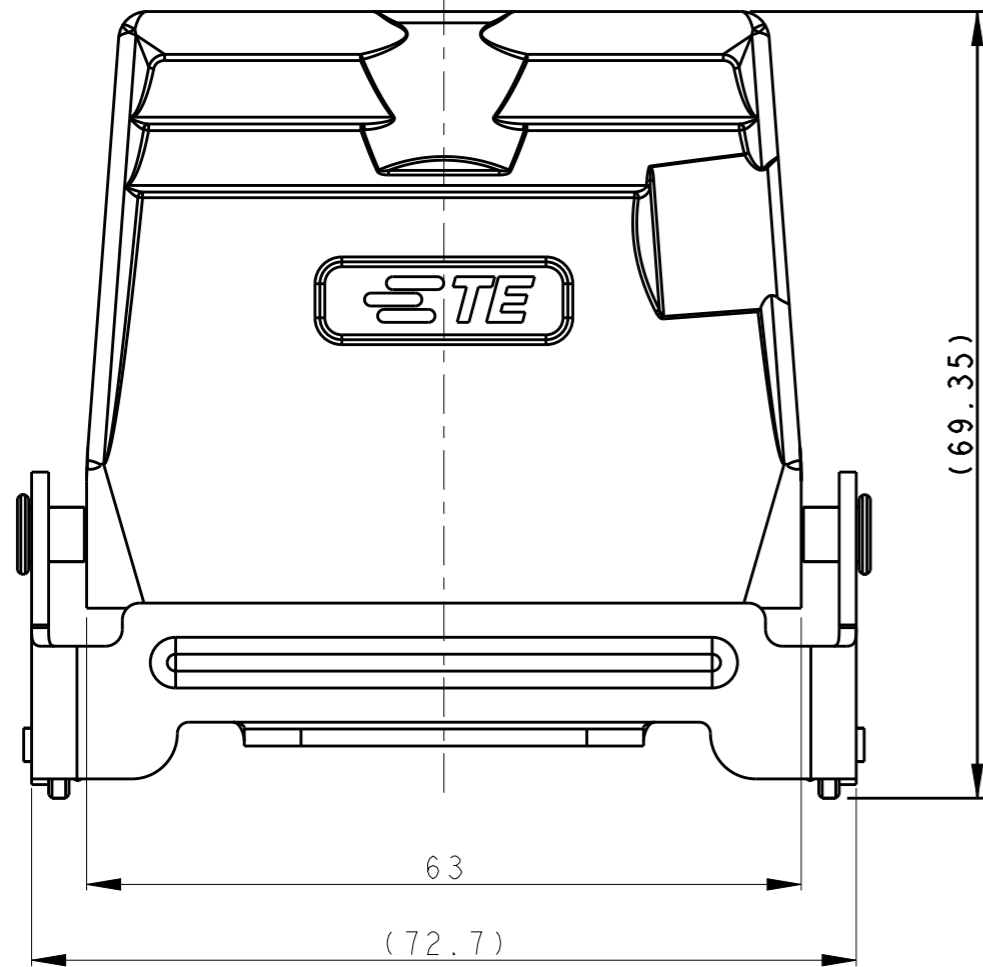


THIS DRAWING IS UNPUBLISHED. RELEASED FOR PUBLICATION 20
 © COPYRIGHT 20 BY - ALL RIGHTS RESERVED.

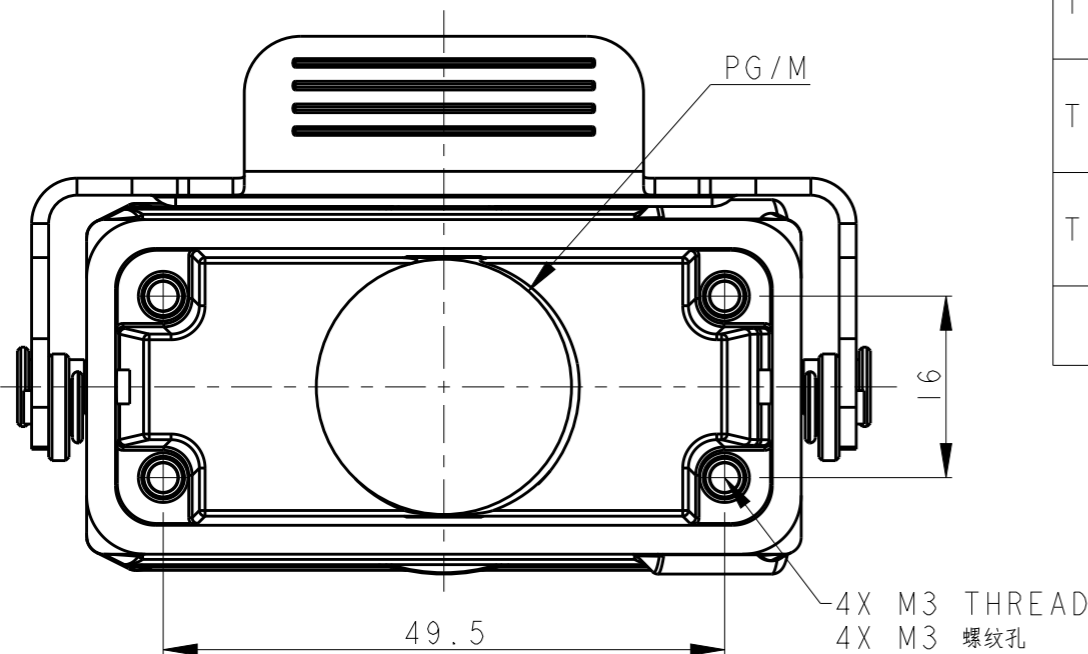
REVISIONS					
P	LTR	DESCRIPTION	DATE	DWN	APVD
	A	INITIAL RELEASE	29APR2015	DL	CW
	AI	ECR-18-008950	01AUG2018	KW	CW




SCALE 4:5

NOTES:
 1. TECHNICAL CHARACTERISTICS:
 BODY MATERIAL: DIE CAST ALUMINIUM ALLOY
 SURFACE TREATMENT: POWDER-COATED, GRAY
 DEGREE OF PROTECTION: IP65 (MATED)

注释:
 1. 技术参数:
 主体材料: 铝合金
 表面处理: 粉末喷涂, 灰色
 防护等级: IP65(配合)



T1739101116-000	H10A-TBFS-PG16	H10A HOUSING, CABLE-TO-CABLE, STAINLESS STEEL SINGLE LOCKING, PG16, POWDER COATED, GREY H10A下壳, 电缆对接, 不锈钢单扣, PG16, 灰色粉末喷涂	PG16
T1739101120-000	H10A-TBFS-M20	H10A HOUSING, CABLE-TO-CABLE, STAINLESS STEEL SINGLE LOCKING, M20, POWDER COATED, GREY H10A下壳, 电缆对接, 不锈钢单扣, M20, 灰色粉末喷涂	M20
T1739101125-000	H10A-TBFS-M25	H10A HOUSING, CABLE-TO-CABLE, STAINLESS STEEL SINGLE LOCKING, M25, POWDER COATED, GREY H10A下壳, 电缆对接, 不锈钢单扣, M25, 灰色粉末喷涂	M25
PART NUMBER 料号	PART DESCRIPTION 描述		PG/M THREAD PG/M 螺纹

THIS DRAWING IS A CONTROLLED DOCUMENT.		DWN 29APR2015 DAVID LI	 TE Connectivity	
DIMENSIONS: mm		CHK 29APR2015 CHRIS WANG		
TOLERANCES UNLESS OTHERWISE SPECIFIED:		APVD 29APR2015 XU XIANG	NAME H10A-TBFS-PG/M	
0 PLC ±-		PRODUCT SPEC 108-137010	SIZE CAGE CODE DRAWING NO RESTRICTED TO	
1 PLC ±-		APPLICATION SPEC 114-137010	A3 - C-T17391011XX000 -	
2 PLC ±-		WEIGHT	SCALE 3:2 SHEET 1 OF 1 REV AI	
3 PLC ±-		CUSTOMER DRAWING		
4 PLC ±-				
ANGLES ±-				
FINISH				
MATERIAL				

X-ON Electronics

Largest Supplier of Electrical and Electronic Components

Click to view similar products for [Heavy Duty Power Connectors](#) category:

Click to view products by [TE Connectivity](#) manufacturer:

Other Similar products are found below :

[1424439](#) [1424438](#) [09330062652](#) [2-8675P1](#) [605601-1](#) [6340G1](#) [6341G1](#) [6360G1](#) [6373G1](#) [6374g2](#) [6396G1](#) [647757-1](#) [66394-4](#) [6643411-1](#)
[6646058-2](#) [6646137-1](#) [6646138-1](#) [6646348-1](#) [6646479-1](#) [6646608-1](#) [6646786-1](#) [6646940-1](#) [6651091-1](#) [6651525-1](#) [6651529-1](#) [6651778-1](#)
[6651788-1](#) [696465-1](#) [696475-1](#) [73000005059](#) [73000005349](#) [73000005642](#) [73080255059](#) [73080965046](#) [765-15-0080A](#) [765-16-0080B](#)
[789.700-44](#) [789.700-54](#) [80-1010](#) [80-9](#) [827381-1](#) [829992-1](#) [902-77-02113](#) [PL00U-301-10D10](#) [PM103MOOLOO](#) [PM16S1620S32-50](#)
[PM212MOOLOO](#) [PM309FOOLOO](#) [PM324FOOLCH](#) [PMHPAF11S03](#)