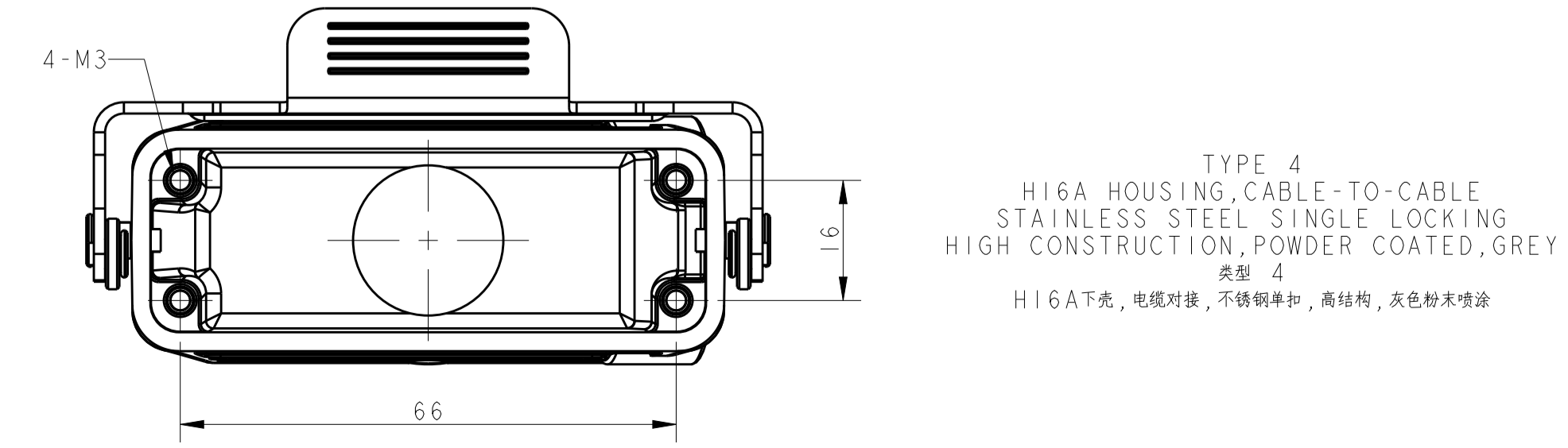
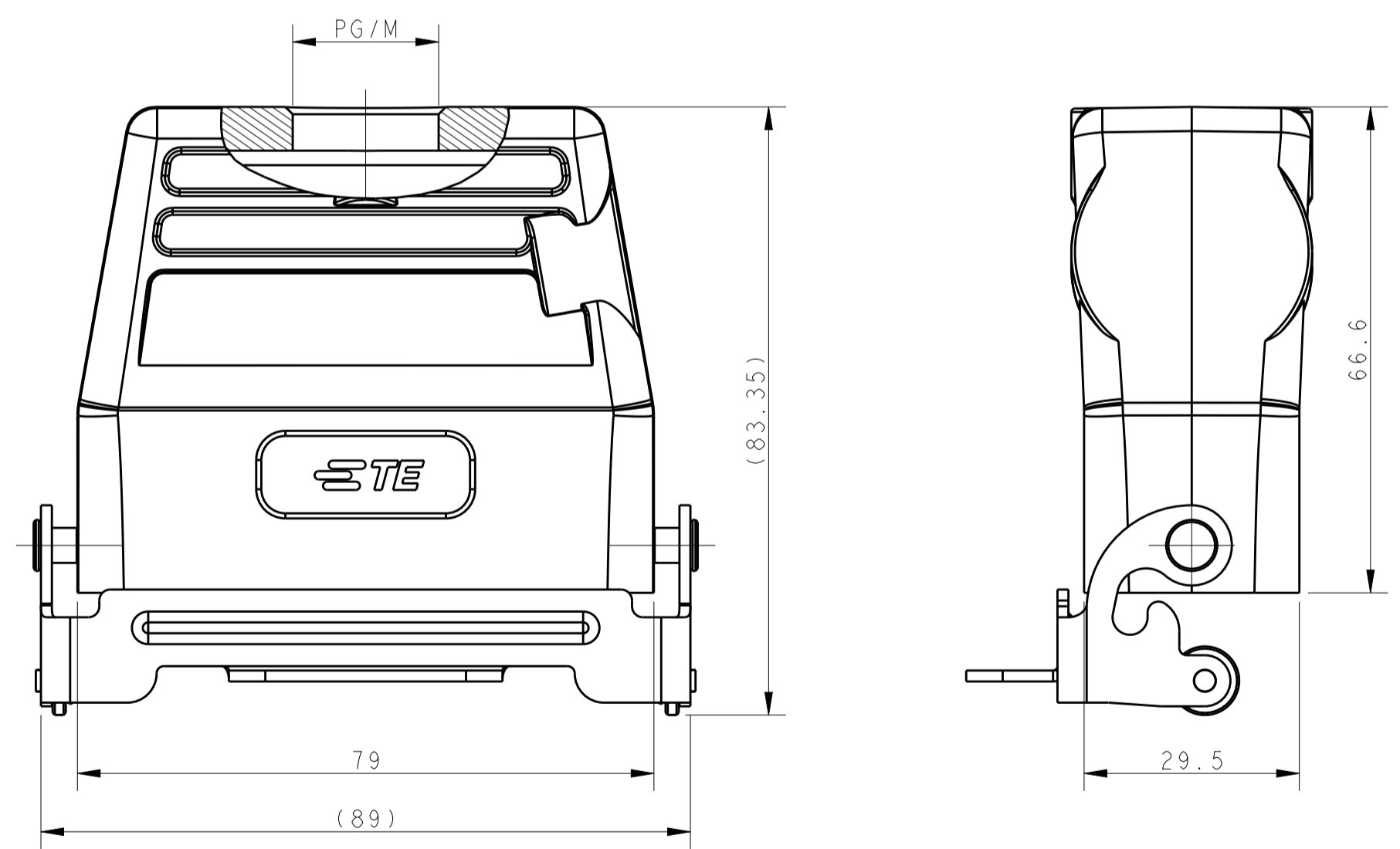
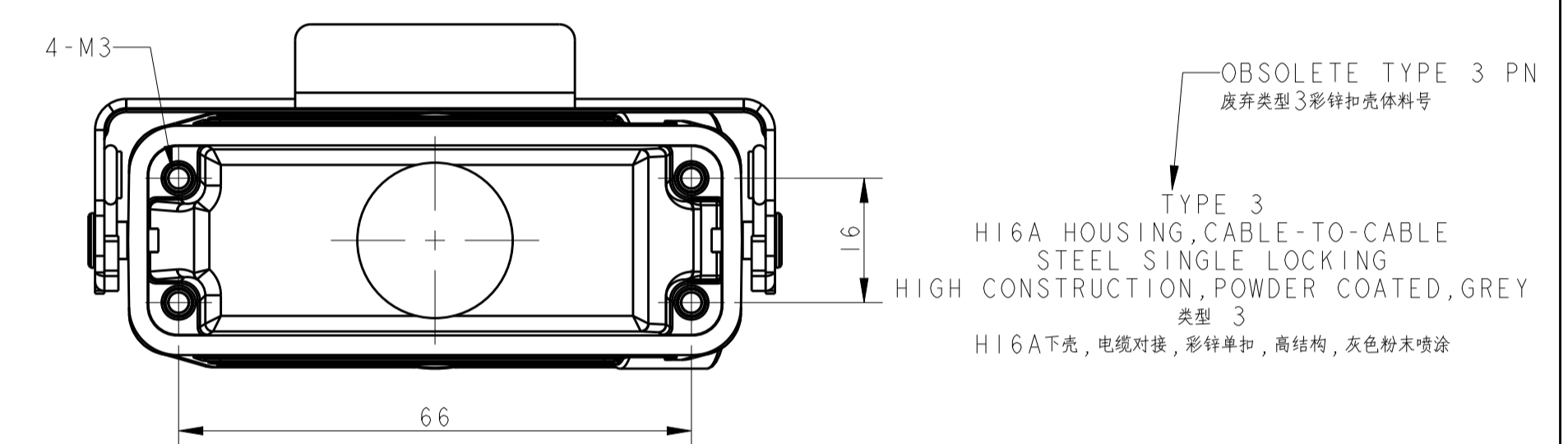
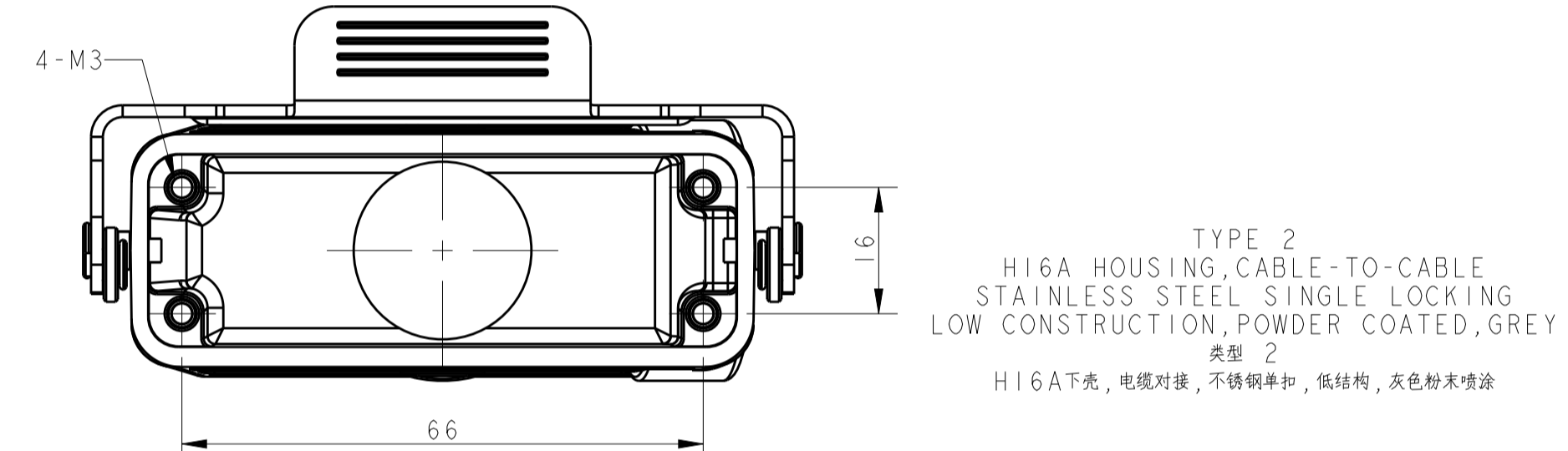
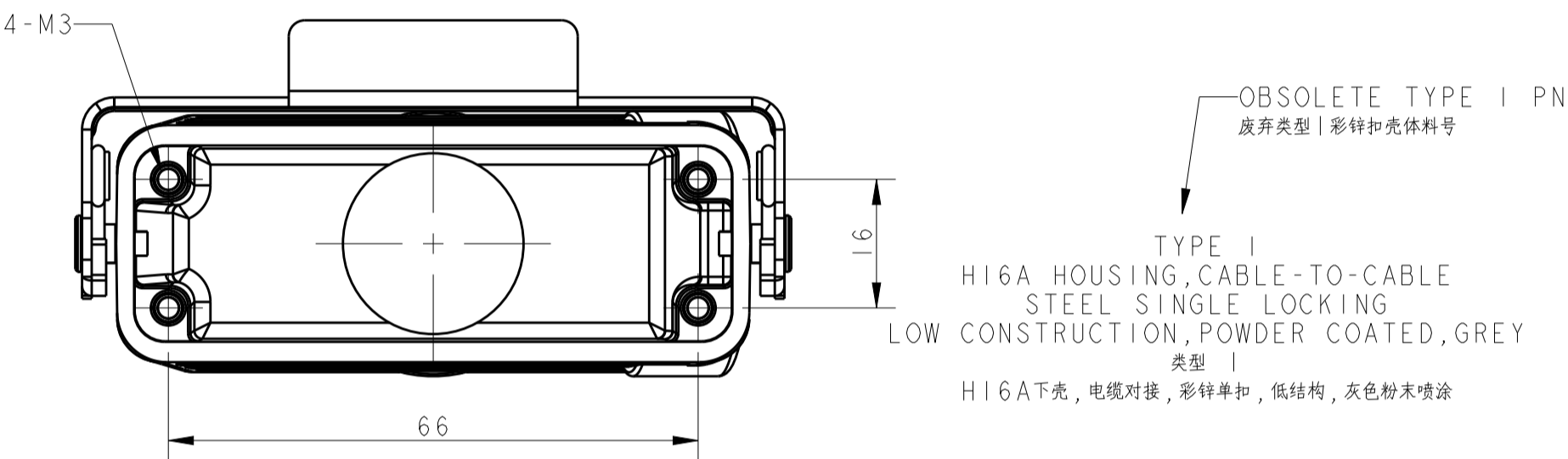
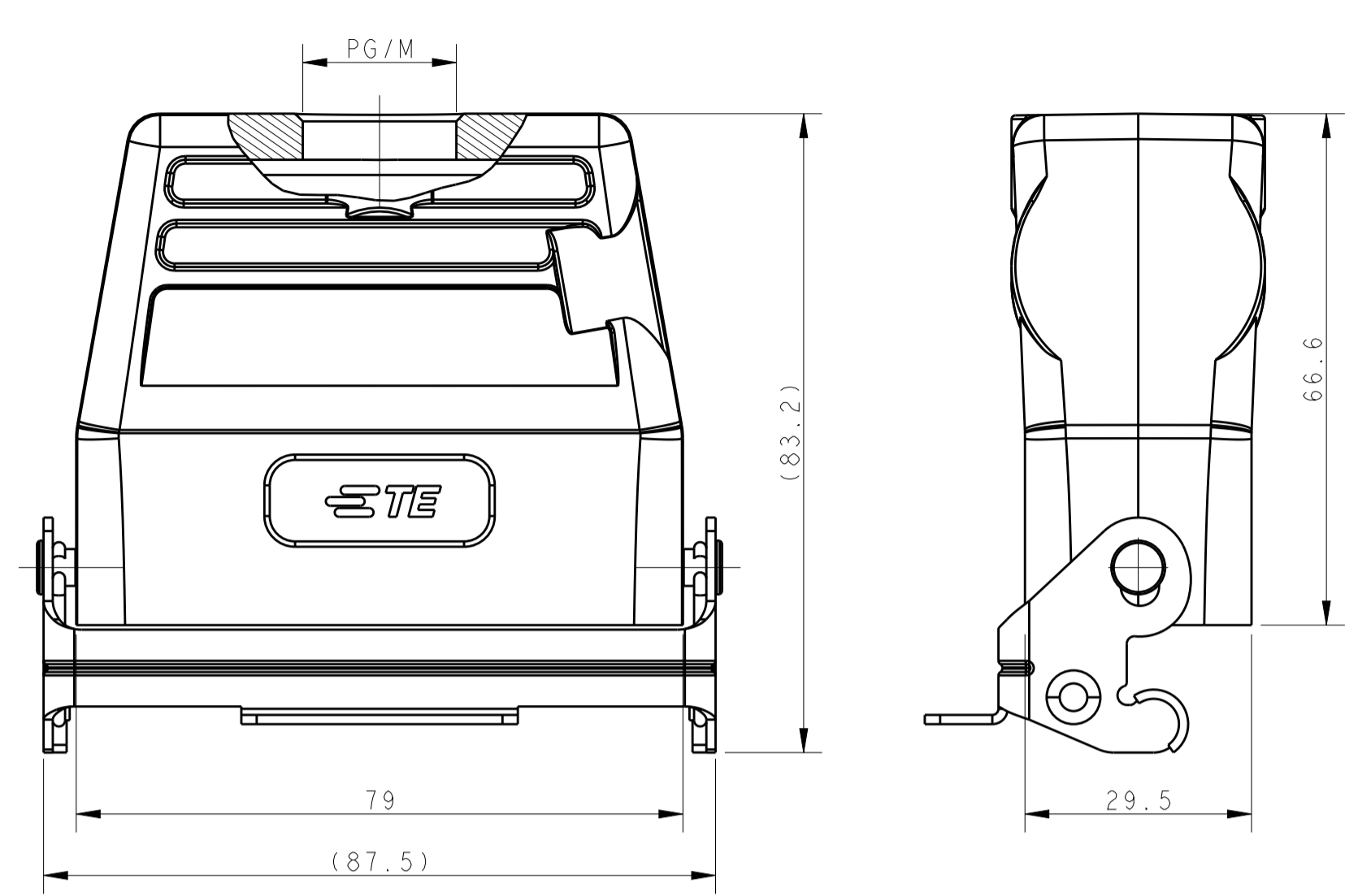
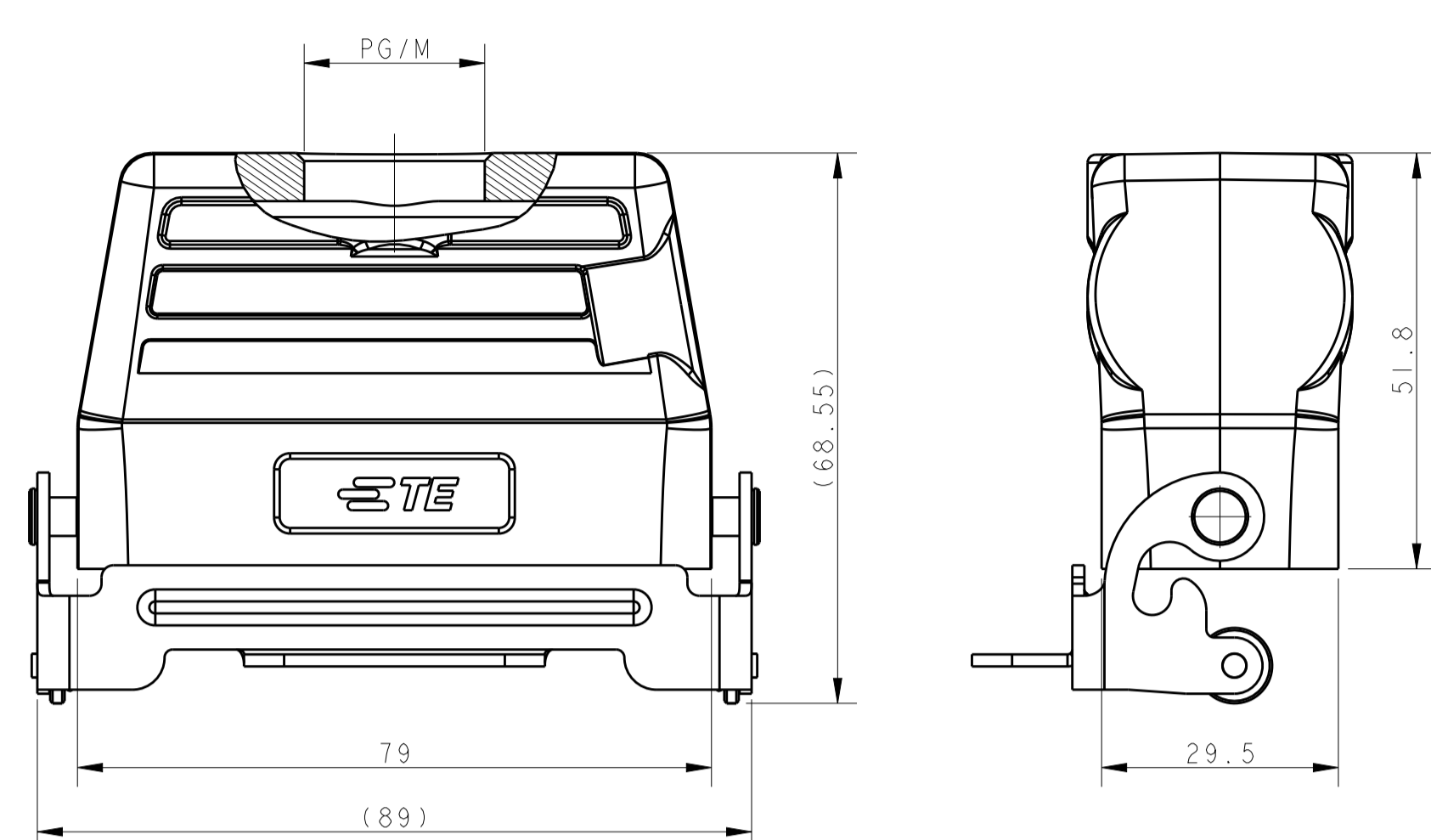
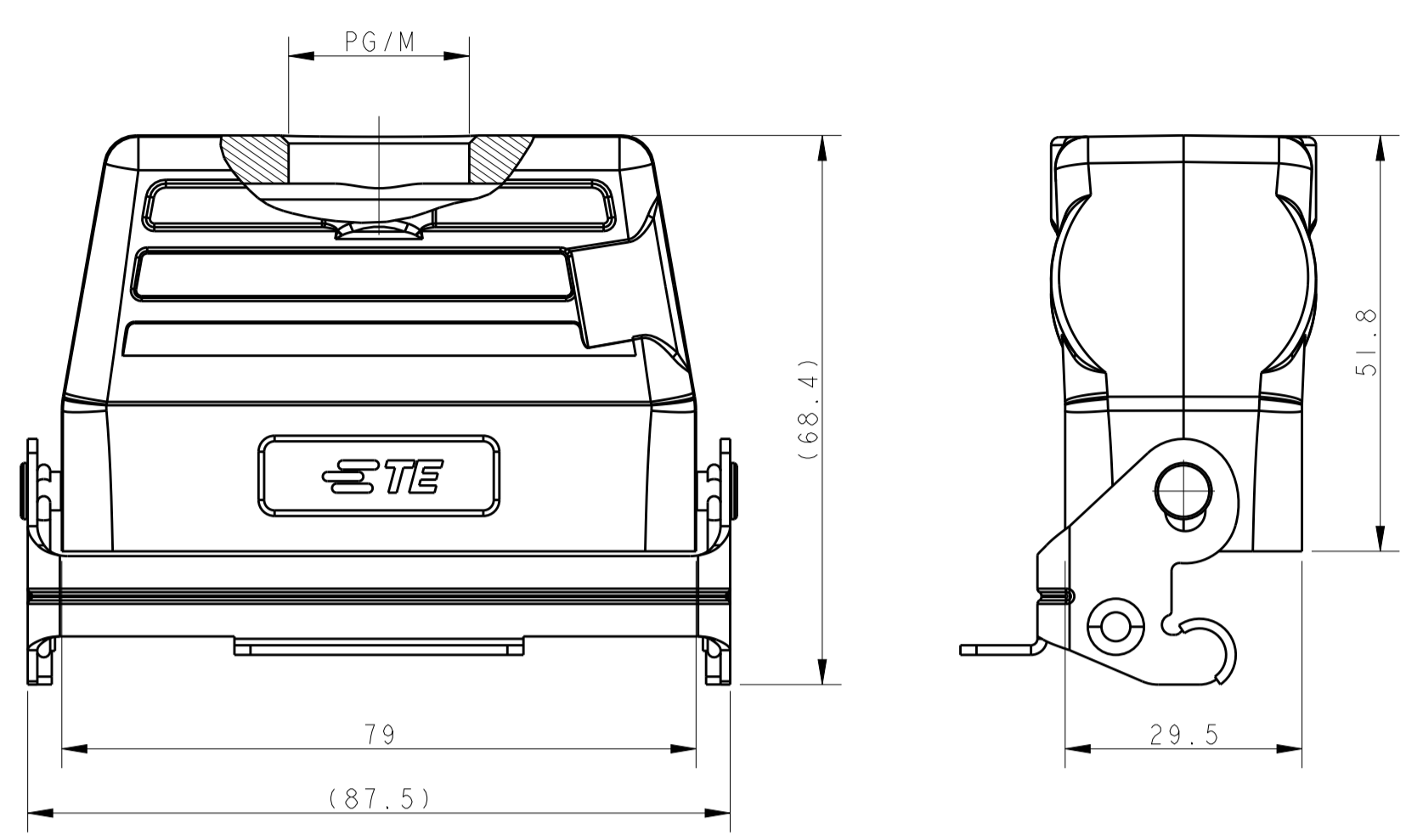


REVISIONS				
P.	LTN	DESCRIPTION	DATE	OWN APVD
A		INITIAL RELEASE	08MAY2015	DL CW
A1		ECR-16-018055	21DEC2016	DL CW



OBSOLETE	PART NUMBER	PART DESCRIPTION	PG/M THREAD	TYPE
OBSOLETE	T1739160116-000	HI6A-TBF-PG16	PG16	TYPE 1
OBSOLETE	T1739160120-000	HI6A-TBF-M20	M20	
OBSOLETE	T1739160121-000	HI6A-TBF-PG21	PG21	
OBSOLETE	T1739160125-000	HI6A-TBF-M25	M25	
	T1739161116-000	HI6A-TBFS-PG16	PG16	TYPE 2
	T1739161120-000	HI6A-TBFS-M20	M20	
	T1739161121-000	HI6A-TBFS-PG21	PG21	
	T1739161125-000	HI6A-TBFS-M25	M25	
OBSOLETE	T1779160116-000	HI6A-TBFH-PG16	PG16	TYPE 3
OBSOLETE	T1779160120-000	HI6A-TBFH-M20	M20	
OBSOLETE	T1779160121-000	HI6A-TBFH-PG21	PG21	
OBSOLETE	T1779160125-000	HI6A-TBFH-M25	M25	
	T1779161116-000	HI6A-TBFHS-PG16	PG16	TYPE 4
	T1779161120-000	HI6A-TBFHS-M20	M20	
	T1779161121-000	HI6A-TBFHS-PG21	PG21	
	T1779161125-000	HI6A-TBFHS-M25	M25	

NOTES:
 1. TECHNICAL CHARACTERISTICS:
 BODY MATERIAL: DIE CAST ALUMINIUM ALLOY
 SURFACE TREATMENT: POWDER-COATED, GRAY
 DEGREE OF PROTECTION: IP65 (MATED)

注释:
 1. 技术参数:
 主体材料: 铝合金
 表面处理: 粉末喷涂, 灰色
 防护等级: IP65(配合)

THIS DRAWING IS A CONTROLLED DOCUMENT. OWN: DAVID LI, 08MAY2015. CHK: CHRIS WANG, 08MAY2015. APVD: XU XIANG, 08MAY2015.

DIMENSIONS: mm. TOLERANCES UNLESS OTHERWISE SPECIFIED: 0 PLC ±, 2 PLC ±, 3 PLC ±, 4 PLC ±, ANGLES ±.

MATERIAL: FINISH: WEIGHT: CUSTOMER DRAWING.

PRODUCT SPEC: 108-137010. APPLICATION SPEC: 114-137010.

NAME: HI6A-TBF*/TBFH*-PG/M. SIZE: A1. CAGE CODE: C=T17X916XXXX000. SCALE: 5:4. SHEET: 1 OF 1. REV: A1.

TE Connectivity

X-ON Electronics

Largest Supplier of Electrical and Electronic Components

Click to view similar products for [Heavy Duty Power Connectors](#) category:

Click to view products by [TE Connectivity](#) manufacturer:

Other Similar products are found below :

[1424439](#) [1424438](#) [09330062652](#) [2-8675P1](#) [605601-1](#) [6340G1](#) [6341G1](#) [6360G1](#) [6373G1](#) [6374g2](#) [6396G1](#) [647757-1](#) [66394-4](#) [6643411-1](#)
[6646058-2](#) [6646137-1](#) [6646138-1](#) [6646348-1](#) [6646479-1](#) [6646608-1](#) [6646786-1](#) [6646940-1](#) [6651091-1](#) [6651525-1](#) [6651529-1](#) [6651778-1](#)
[6651788-1](#) [696465-1](#) [696475-1](#) [73000005059](#) [73000005349](#) [73000005642](#) [73080255059](#) [73080965046](#) [765-15-0080A](#) [765-16-0080B](#)
[789.700-44](#) [789.700-54](#) [80-1010](#) [80-9](#) [827381-1](#) [829992-1](#) [902-77-02113](#) [PL00U-301-10D10](#) [PM103MOOLOO](#) [PM16S1620S32-50](#)
[PM212MOOLOO](#) [PM309FOOLOO](#) [PM324FOOLCH](#) [PMHPAF11S03](#)