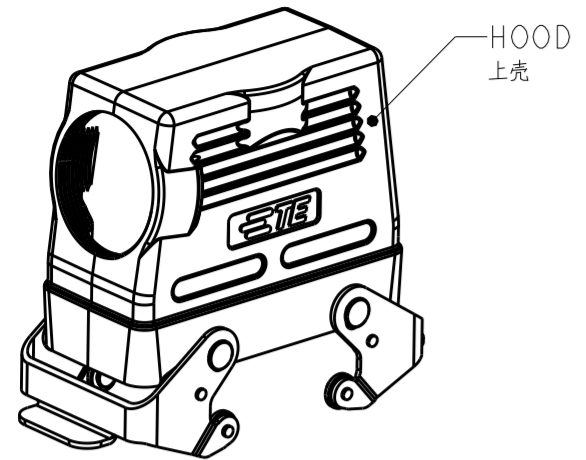
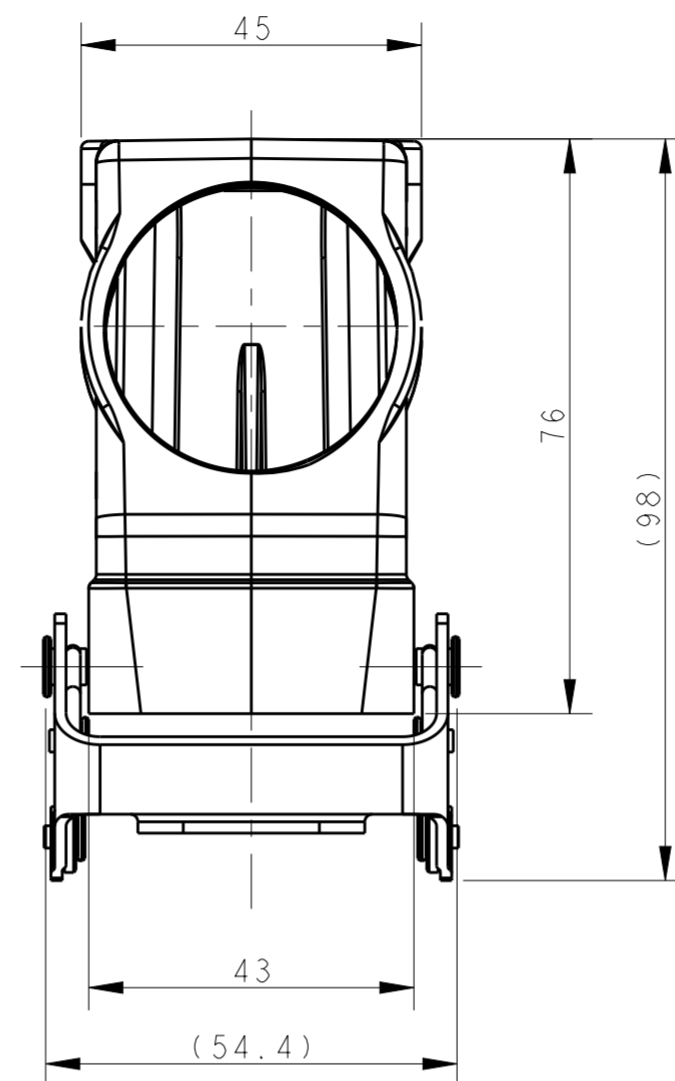
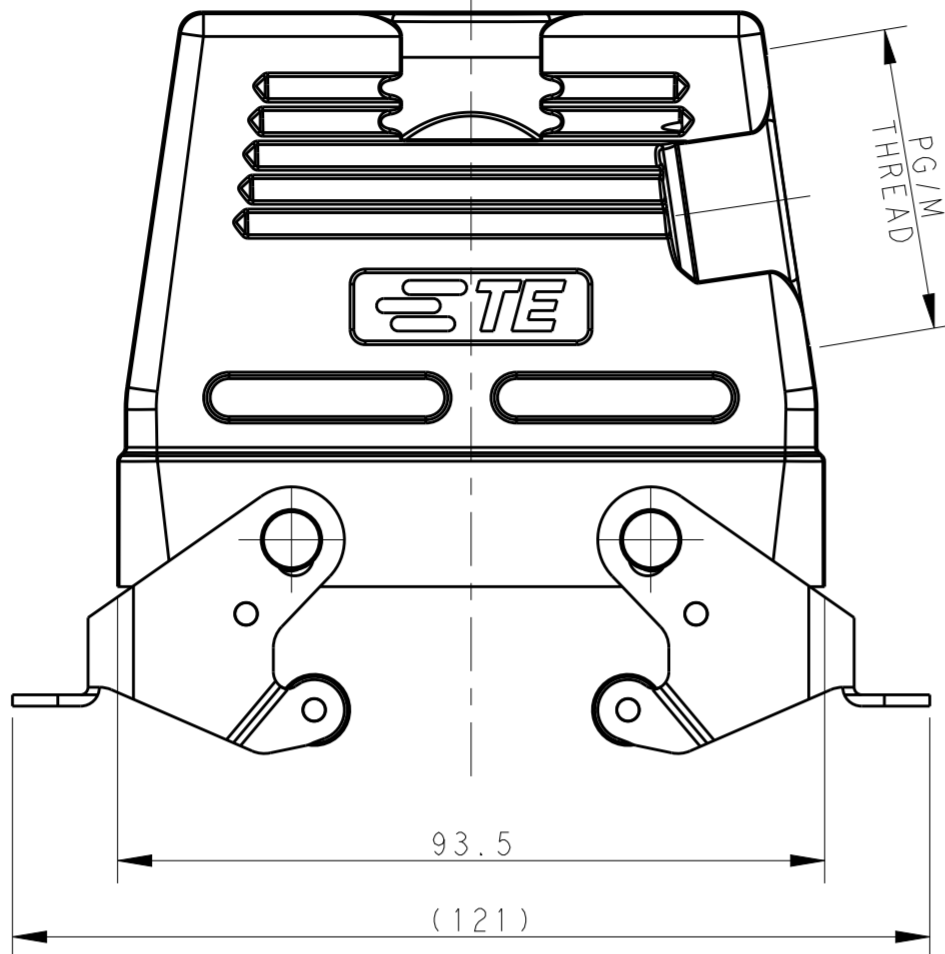


THIS DRAWING IS UNPUBLISHED. RELEASED FOR PUBLICATION 20
 © COPYRIGHT 20 BY - ALL RIGHTS RESERVED.

REVISIONS				
P	LTR	DESCRIPTION	DATE	APVD
	A	INITIAL	22JAN2015	DW CW
	A1	ECR-15-010519	20JUN2015	DW CW
	A2	ECR-16-010326	07JUL2016	DW DW
	A3	ECR-16-018349	30DEC2016	DW CW

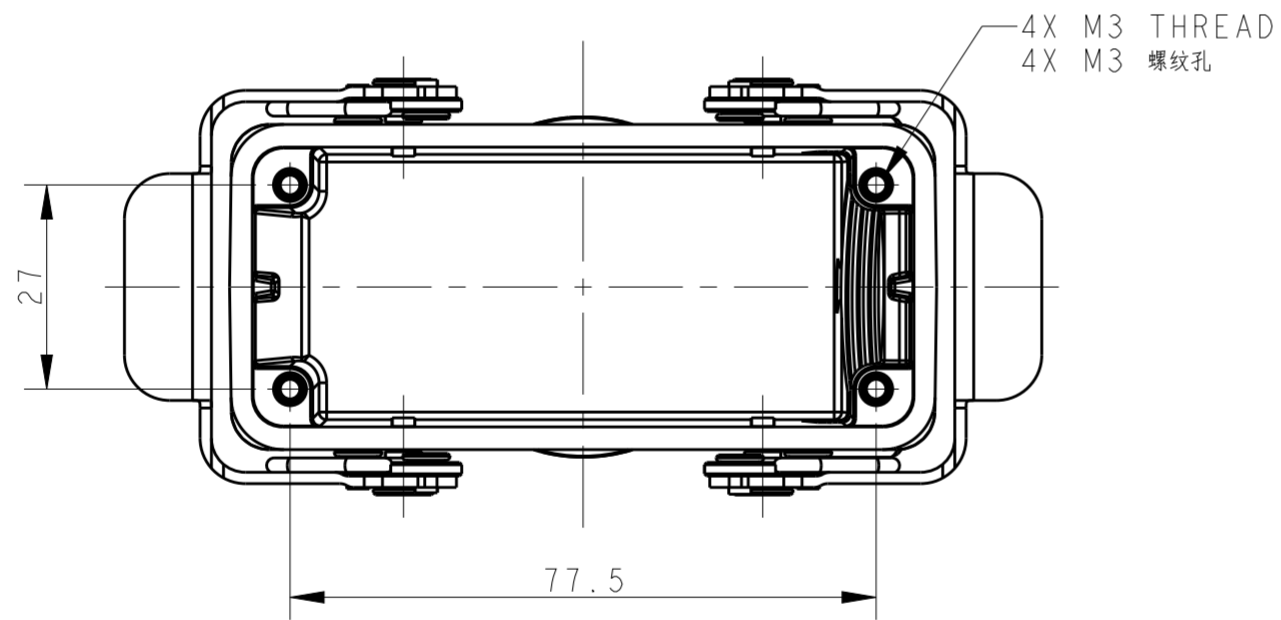


SCALE 1:2



NOTES:
 1. TECHNICAL CHARACTERISTICS:
 HOOD MATERIAL: DIE CAST ALUMINIUM ALLOY
 HOOD SURFACE: CONDUCTIVE PAINTING
 HOOD SURFACE COLOR: TRANSPARENCY
 HOOD RESISTANCE: ≤10 mΩ
 DEGREE OF PROTECTION: IP65 (MATED)

注释:
 1. 技术参数:
 上壳材料: 铝合金
 上壳表面处理: 导电喷漆
 上壳表面处理颜色: 透明
 上壳电阻: ≤10 mΩ
 防护等级: IP65(配合)



T1270165121-000	HI6B-TSBHS-EMC-PG21	HI6B EMC HOOD, SIDE ENTRY PG21, STAINLESS STEEL DOUBLE LOCKING, HIGH CONSTRUCTION HI6B屏蔽上壳, 侧出PG21, 不锈钢双扣, 高结构	PG21
T1270165129-000	HI6B-TSBHS-EMC-PG29	HI6B EMC HOOD, SIDE ENTRY PG29, STAINLESS STEEL DOUBLE LOCKING, HIGH CONSTRUCTION HI6B屏蔽上壳, 侧出PG29, 不锈钢双扣, 高结构	PG29
T1270165125-000	HI6B-TSBHS-EMC-M25	HI6B EMC HOOD, SIDE ENTRY M25, STAINLESS STEEL DOUBLE LOCKING, HIGH CONSTRUCTION HI6B屏蔽上壳, 侧出M25, 不锈钢双扣, 高结构	M25
T1270165132-000	HI6B-TSBHS-EMC-M32	HI6B EMC HOOD, SIDE ENTRY M32, STAINLESS STEEL DOUBLE LOCKING, HIGH CONSTRUCTION HI6B屏蔽上壳, 侧出M32, 不锈钢双扣, 高结构	M32
T1270165140-000	HI6B-TSBHS-EMC-M40	HI6B EMC HOOD, SIDE ENTRY M40, STAINLESS STEEL DOUBLE LOCKING, HIGH CONSTRUCTION HI6B屏蔽上壳, 侧出M40, 不锈钢双扣, 高结构	M40
PART NUMBER 零件料号		PART DESCRIPTION 零件描述	PG/M THREAD PG/M 螺纹孔

THIS DRAWING IS A CONTROLLED DOCUMENT.		DWN DAVID WANG 10JUL2014	TE Connectivity NAME HI6B-TSBHS-EMC-PG/M		
DIMENSIONS: mm		CHK CHRIS WANG 10JUL2014			PRODUCT SPEC 108-137016
		APVD XIANG XU 10JUL2014			APPLICATION SPEC 114-137016
TOLERANCES UNLESS OTHERWISE SPECIFIED:		WEIGHT -		SIZE A2 CAGE CODE 00779 DRAWING NO. T12701651XX000 RESTRICTED TO -	
MATERIAL -		CUSTOMER DRAWING		SCALE 1:1 SHEET 1 OF 1 REV A3	

X-ON Electronics

Largest Supplier of Electrical and Electronic Components

Click to view similar products for [Heavy Duty Power Connectors](#) category:

Click to view products by [TE Connectivity](#) manufacturer:

Other Similar products are found below :

[1424439](#) [1424438](#) [09330062652](#) [2-8675P1](#) [605601-1](#) [6340G1](#) [6341G1](#) [6360G1](#) [6373G1](#) [6374g2](#) [6396G1](#) [647757-1](#) [66394-4](#) [6643411-1](#)
[6646058-2](#) [6646137-1](#) [6646138-1](#) [6646348-1](#) [6646479-1](#) [6646608-1](#) [6646786-1](#) [6646940-1](#) [6651091-1](#) [6651525-1](#) [6651529-1](#) [6651778-1](#)
[6651788-1](#) [696465-1](#) [696475-1](#) [73000005059](#) [73000005349](#) [73000005642](#) [73080255059](#) [73080965046](#) [765-15-0080A](#) [765-16-0080B](#)
[789.700-44](#) [789.700-54](#) [80-1010](#) [80-9](#) [827381-1](#) [829992-1](#) [902-77-02113](#) [PL00U-301-10D10](#) [PM103MOOLOO](#) [PM16S1620S32-50](#)
[PM212MOOLOO](#) [PM309FOOLOO](#) [PM324FOOLCH](#) [PMHPAF11S03](#)