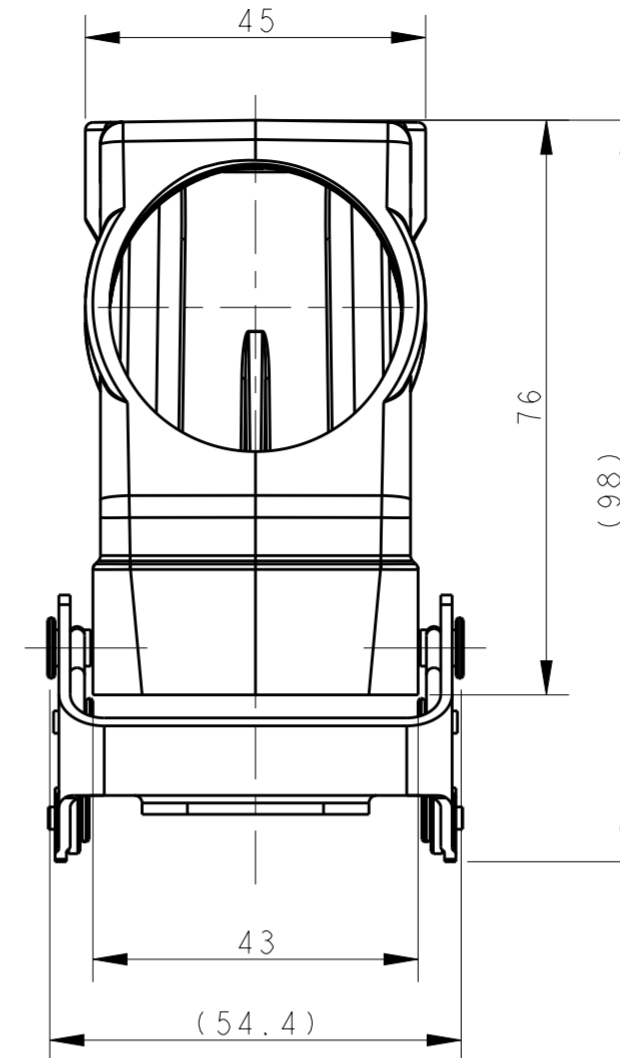
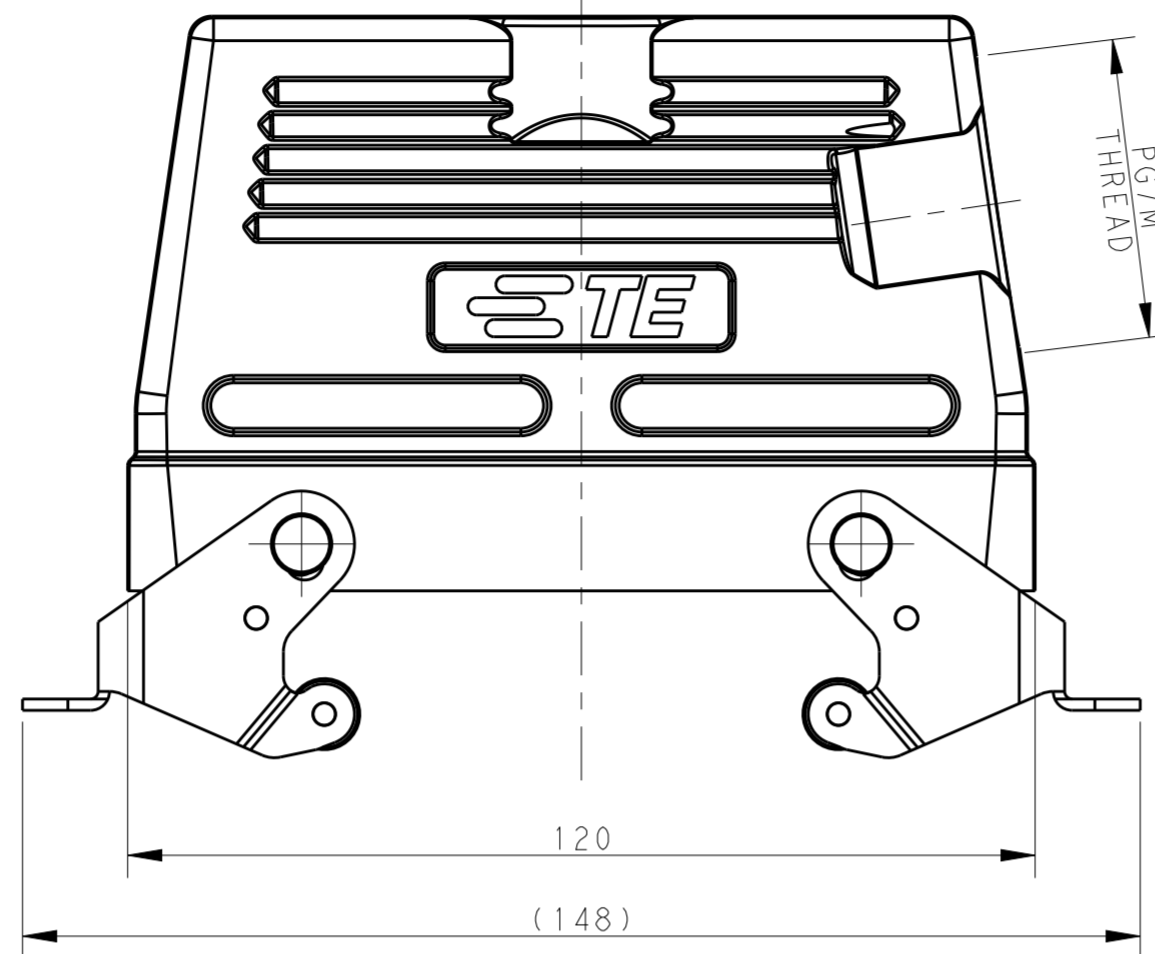
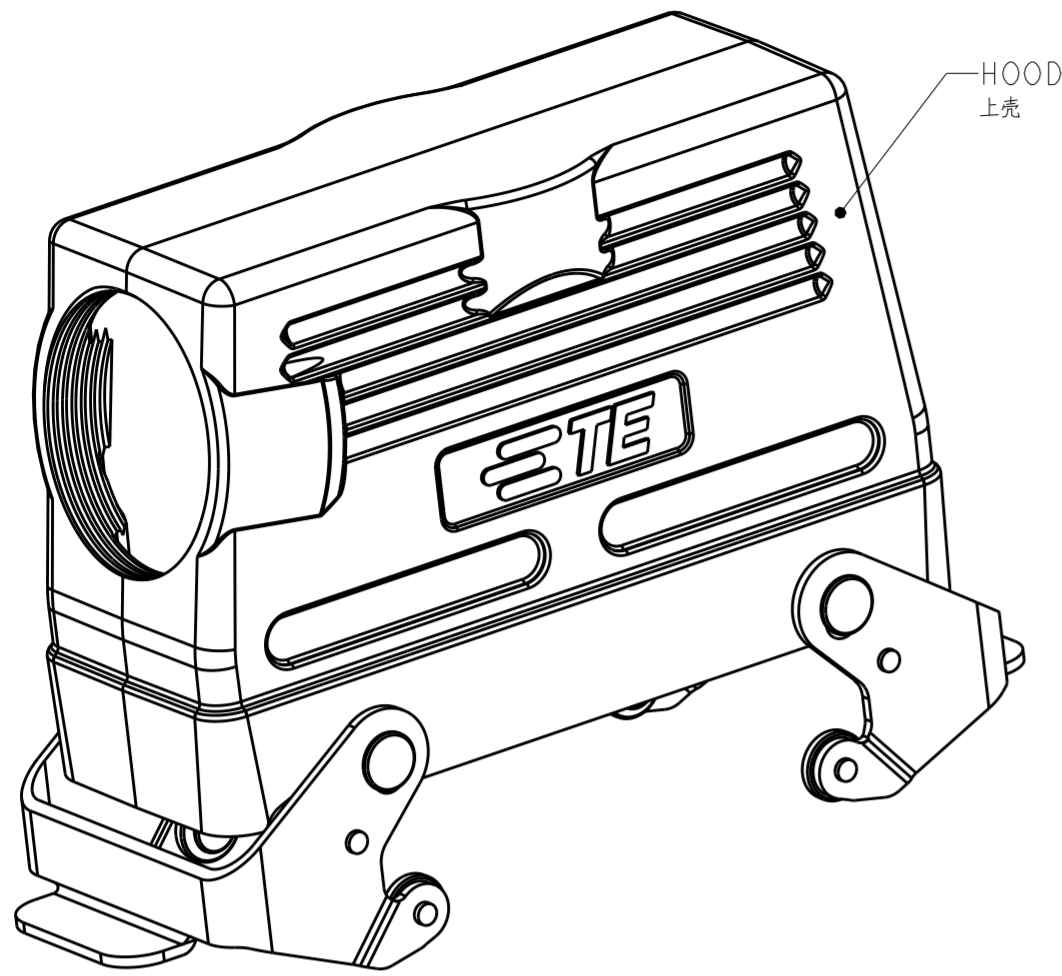


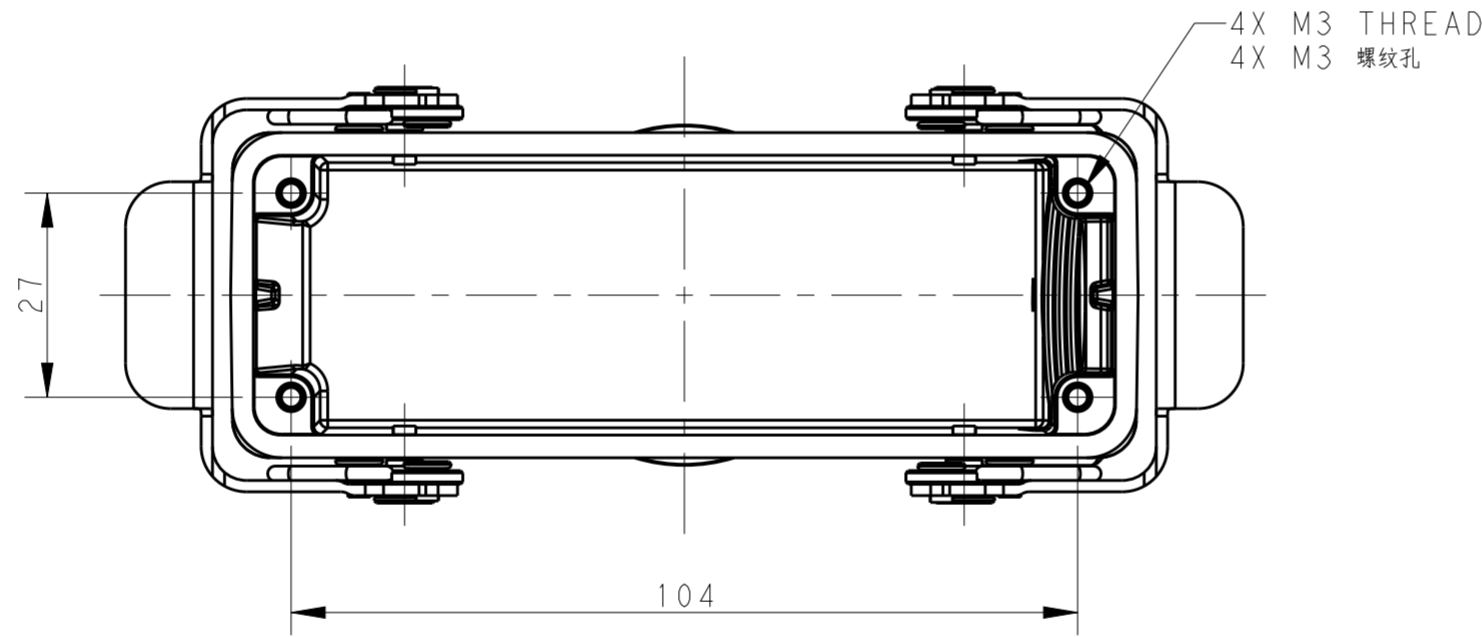
THIS DRAWING IS UNPUBLISHED. RELEASED FOR PUBLICATION 20  
 © COPYRIGHT 20 BY - ALL RIGHTS RESERVED.

REVISIONS				
P	LTR	DESCRIPTION	DATE	APVD
A		INITIAL	22JAN2015	DW CW
A1		ECR-15-010519	20JUN2015	DW CW
A2		ECR-16-010326	07JUL2016	DW CW
A3		ECR-16-018349	30DEC2016	DW CW



NOTES:  
 1. TECHNICAL CHARACTERISTICS:  
 HOOD MATERIAL: DIE CAST ALUMINIUM ALLOY  
 HOOD SURFACE: CONDUCTIVE PAINTING  
 HOOD SURFACE COLOR: TRANSPARENCY  
 HOOD RESISTANCE: ≤10 mΩ  
 DEGREE OF PROTECTION: IP65 (MATED)

注释:  
 1. 技术参数:  
 上壳材料: 铝合金  
 上壳表面处理: 导电喷漆  
 上壳表面处理颜色: 透明  
 上壳电阻: ≤10 mΩ  
 防护等级: IP65(配合)



T1270245121-000	H24B-TSBHS-EMC-PG21	H24B EMC HOOD, SIDE ENTRY PG21, STAINLESS STEEL DOUBLE LOCKING, HIGH CONSTRUCTION H24B屏蔽上壳, 侧出PG21, 不锈钢双扣, 高结构	PG21
T1270245129-000	H24B-TSBHS-EMC-PG29	H24B EMC HOOD, SIDE ENTRY PG29, STAINLESS STEEL DOUBLE LOCKING, HIGH CONSTRUCTION H24B屏蔽上壳, 侧出PG29, 不锈钢双扣, 高结构	PG29
T1270245125-000	H24B-TSBHS-EMC-M25	H24B EMC HOOD, SIDE ENTRY M25, STAINLESS STEEL DOUBLE LOCKING, HIGH CONSTRUCTION H24B屏蔽上壳, 侧出M25, 不锈钢双扣, 高结构	M25
T1270245132-000	H24B-TSBHS-EMC-M32	H24B EMC HOOD, SIDE ENTRY M32, STAINLESS STEEL DOUBLE LOCKING, HIGH CONSTRUCTION H24B屏蔽上壳, 侧出M32, 不锈钢双扣, 高结构	M32
T1270245140-000	H24B-TSBHS-EMC-M40	H24B EMC HOOD, SIDE ENTRY M40, STAINLESS STEEL DOUBLE LOCKING, HIGH CONSTRUCTION H24B屏蔽上壳, 侧出M40, 不锈钢双扣, 高结构	M40
PART NUMBER 零件料号		PART DESCRIPTION 零件描述	PG/M THREAD PG/M 螺纹孔

THIS DRAWING IS A CONTROLLED DOCUMENT.

DWN DAVID WANG 10JUL2014	TE Connectivity
CHK CHRIS WANG 10JUL2014	
APVD XIANG XU 10JUL2014	
NAME H24B-TSBHS-EMC-PG/M	
DIMENSIONS: mm	PRODUCT SPEC 108-137016
TOLERANCES UNLESS OTHERWISE SPECIFIED:	APPLICATION SPEC 114-137016
0 PLC ±-	SIZE A2
1 PLC ±-	CAGE CODE 00779
2 PLC ±-	DRAWING NO C-T12702451XX000
3 PLC ±-	RESTRICTED TO -
4 PLC ±-	SCALE 1:1
ANGLES ±-	SHEET 1 OF 1
FINISH -	REV A3
MATERIAL -	Customer Drawing

## X-ON Electronics

Largest Supplier of Electrical and Electronic Components

*Click to view similar products for [Heavy Duty Power Connectors](#) category:*

*Click to view products by [TE Connectivity](#) manufacturer:*

Other Similar products are found below :

[1424439](#) [1424438](#) [09330062652](#) [2-8675P1](#) [605601-1](#) [6340G1](#) [6341G1](#) [6360G1](#) [6373G1](#) [6374g2](#) [6396G1](#) [647757-1](#) [66394-4](#) [6643411-1](#)  
[6646058-2](#) [6646137-1](#) [6646138-1](#) [6646348-1](#) [6646479-1](#) [6646608-1](#) [6646786-1](#) [6646940-1](#) [6651091-1](#) [6651525-1](#) [6651529-1](#) [6651778-1](#)  
[6651788-1](#) [696465-1](#) [696475-1](#) [73000005059](#) [73000005349](#) [73000005642](#) [73080255059](#) [73080965046](#) [765-15-0080A](#) [765-16-0080B](#)  
[789.700-44](#) [789.700-54](#) [80-1010](#) [80-9](#) [827381-1](#) [829992-1](#) [902-77-02113](#) [PL00U-301-10D10](#) [PM103MOOLOO](#) [PM16S1620S32-50](#)  
[PM212MOOLOO](#) [PM309FOOLOO](#) [PM324FOOLCH](#) [PMHPAF11S03](#)