

THIS DRAWING IS UNPUBLISHED.

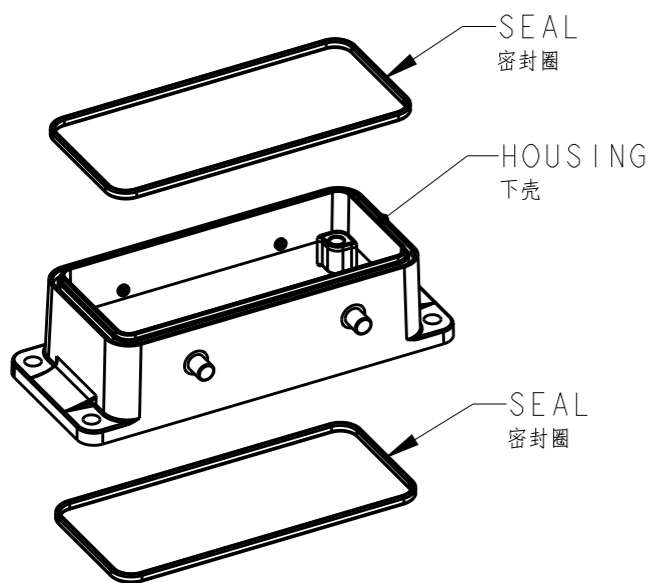
RELEASED FOR PUBLICATION

20

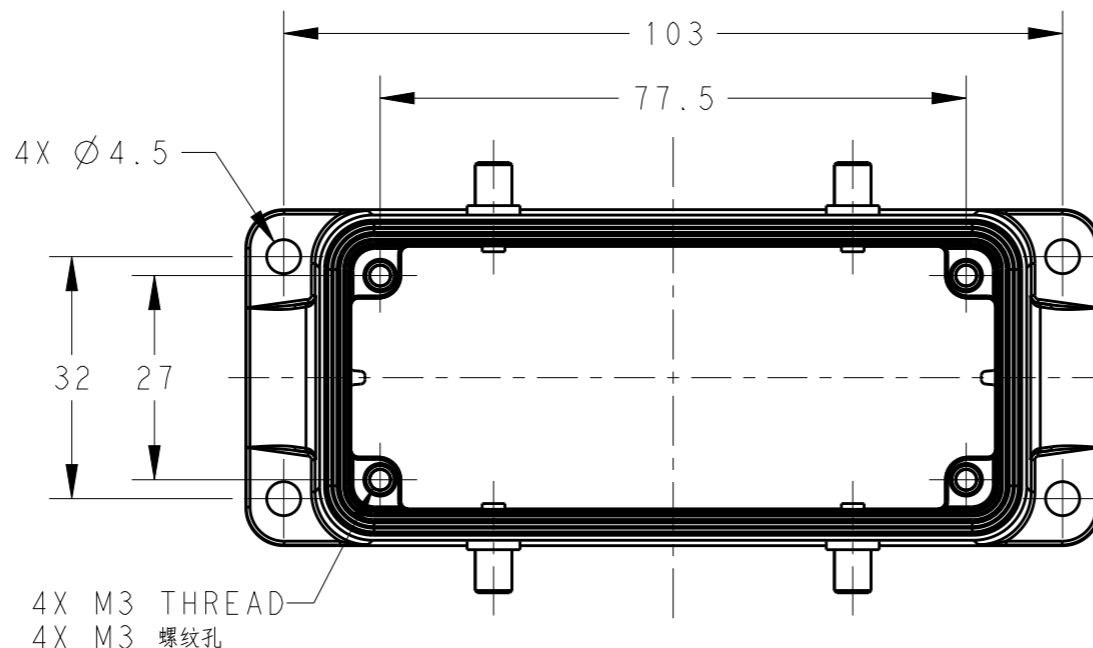
© COPYRIGHT 20 BY - ALL RIGHTS RESERVED.

REVISIONS

P	LTR	DESCRIPTION	DATE	DWN	APVD
	A	INITIAL	22JAN2015	DW	CW
	A1	ECR-15-010519	20JUN2015	DW	CW
	A2	ECR-16-010326	07JUL2016	DW	CW
	A3	ECR-16-018349	30DEC2016	DW	CW



SCALE 1:2

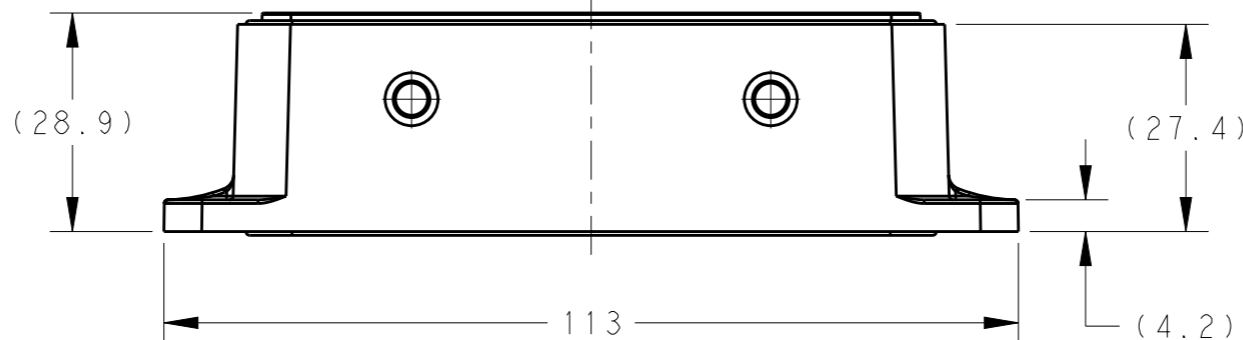
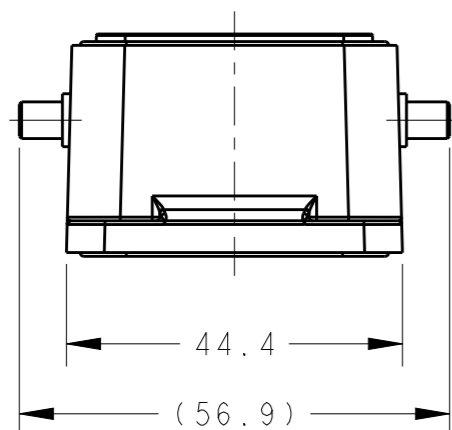


NOTES:

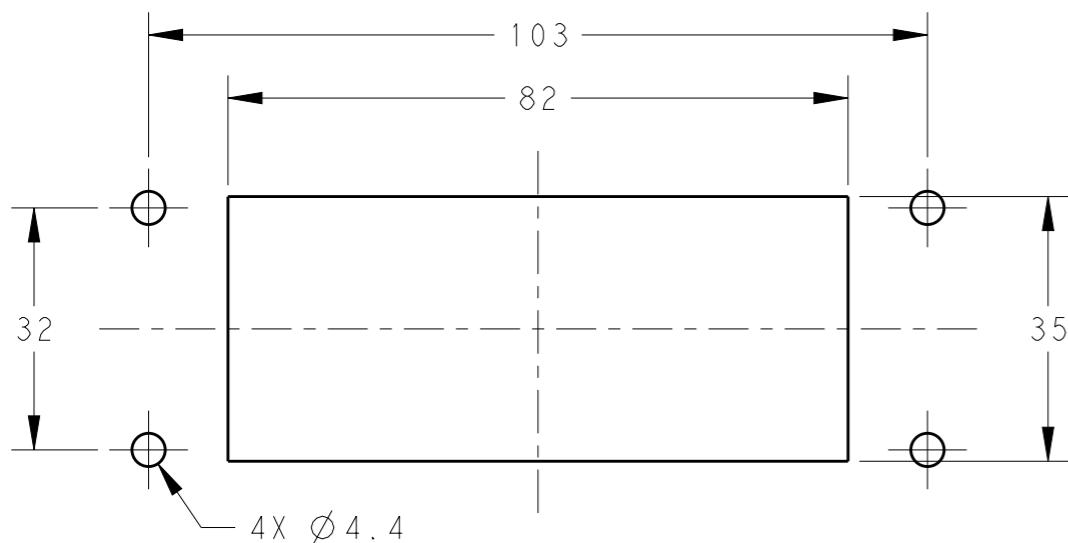
- TECHNICAL CHARACTERISTICS:
 HOUSING MATERIAL: DIE CAST ALUMINIUM ALLOY
 HOUSING SURFACE: CONDUCTIVE PAINTING
 HOUSING SURFACE COLOR: TRANSPARENCY
 HOUSING RESISTANCE: $\leq 10 \text{ m}\Omega$
 SEAL MATERIAL: CONDUCTIVE NBR
 DEGREE OF PROTECTION: IP65 (MATED)


注释:

- 技术参数:
 下壳材料: 铝合金
 下壳表面处理: 喷导电漆
 下壳表面处理颜色: 透明
 下壳电阻: $\leq 10 \text{ m}\Omega$
 密封圈材料: 导电NBR
 防护等级: IP65(配合)



PANEL CUT OUT



T1425160000-000		HI6B-AG-BO-EMC		HI6B EMC HOUSING, BULKHEAD MOUNTED, 4 EAR, NO LOCKING HI6B屏蔽下壳, 开孔安装, 4耳, 不带锁扣	
PART NUMBER 零件料号		PART DESCRIPTION 零件描述			
THIS DRAWING IS A CONTROLLED DOCUMENT.		DWN 10JUL2014 DAVID WANG		 TE Connectivity	
DIMENSIONS: mm		CHK 10JUL2014 CHRIS WANG			
TOLERANCES UNLESS OTHERWISE SPECIFIED:		APVD 10JUL2014 XIANG XU		NAME H16B-AG-BO-EMC	
0 PLC \pm -		PRODUCT SPEC 108-137016		SIZE	
1 PLC \pm -		APPLICATION SPEC 114-137016		CAGE CODE	
2 PLC \pm -		WEIGHT		DRAWING NO	
3 PLC \pm -		Customer Drawing		RESTRICTED TO	
4 PLC \pm -		SCALE 1:1		SHEET 1 OF 1	
ANGLES \pm -		REV A3			
FINISH					

X-ON Electronics

Largest Supplier of Electrical and Electronic Components

Click to view similar products for [Heavy Duty Power Connectors](#) category:

Click to view products by [TE Connectivity](#) manufacturer:

Other Similar products are found below :

[1424439](#) [1424438](#) [09330062652](#) [2-8675P1](#) [605601-1](#) [6340G1](#) [6341G1](#) [6360G1](#) [6373G1](#) [6374g2](#) [6396G1](#) [647757-1](#) [66394-4](#) [6643411-1](#)
[6646058-2](#) [6646137-1](#) [6646138-1](#) [6646348-1](#) [6646479-1](#) [6646608-1](#) [6646786-1](#) [6646940-1](#) [6651091-1](#) [6651525-1](#) [6651529-1](#) [6651778-1](#)
[6651788-1](#) [696465-1](#) [696475-1](#) [73000005059](#) [73000005349](#) [73000005642](#) [73080255059](#) [73080965046](#) [765-15-0080A](#) [765-16-0080B](#)
[789.700-44](#) [789.700-54](#) [80-1010](#) [80-9](#) [827381-1](#) [829992-1](#) [902-77-02113](#) [PL00U-301-10D10](#) [PM103MOOLOO](#) [PM16S1620S32-50](#)
[PM212MOOLOO](#) [PM309FOOLOO](#) [PM324FOOLCH](#) [PMHPAF11S03](#)