

THIS DRAWING IS UNPUBLISHED.

RELEASED FOR PUBLICATION

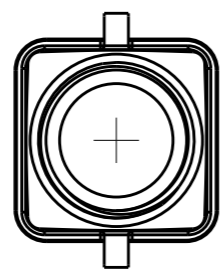
20

© COPYRIGHT 20 BY -

ALL RIGHTS RESERVED.

REVISIONS

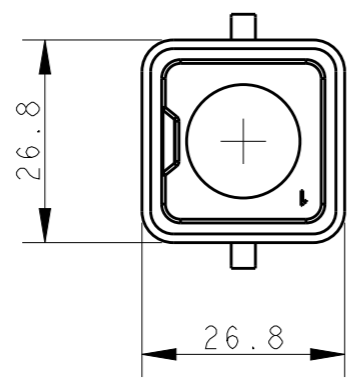
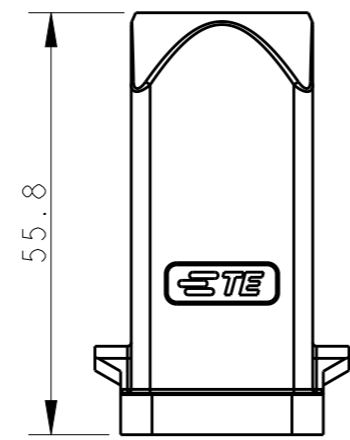
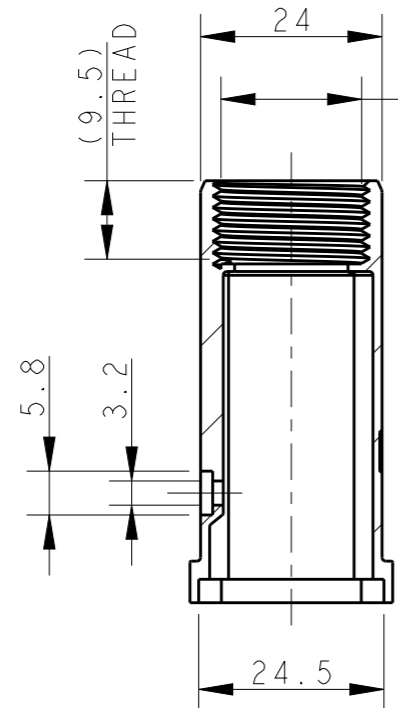
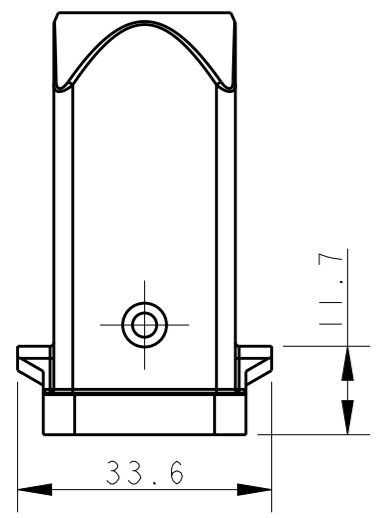
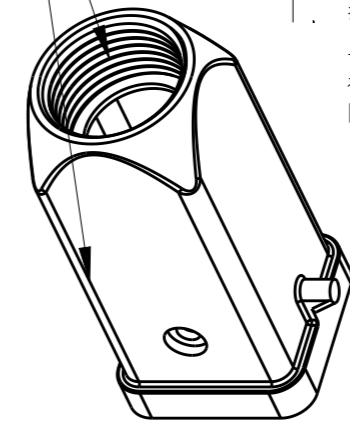
| P | LTR | DESCRIPTION | DATE | DWN | APVD |
|---|-----|-----------------|-----------|-----|------|
| | A | INITIAL RELEASE | 04MAY2015 | DL | CW |
| | A1 | ECR-17-009215 | 24JUN2017 | OY | CW |
| | A2 | ECR-18-006400 | 11MAY2018 | RG | CW |



FOR "T1329034111-000"&"T1329036120-000"
NEED TO BE COATED INSIDE AND OUTSIDE
料号"T1329034111-000"&"T1329036120-000"需里外喷涂

NOTES:
1. TECHNICAL CHARACTERISTICS:
BODY MATERIAL: DIE CAST ZINC ALLOY
SURFACE TREATMENT: SEE TABLE
DEGREE OF PROTECTION: IP65 (MATED)

注释:
1. 技术参数:
主体材料: 锌合金
表面处理: 见表格
防护等级: IP65(配合)



| PART NUMBER 料号 | PART DESCRIPTION 描述 | PG/M THREAD PG/M螺纹孔 |
|-------------------|---|------------------------|
| T1329033111-000 | H3A-MTG-PG11 H3A HOOD, TOP ENTRY PG11, 2 EAR, POWDER COATED, RED RAL2004 H3A上壳, 顶出PG11, 2耳, 红色粉末喷涂 RAL2004 | PG11 |
| T1329030111-000 | H3A-MTG-PG11 H3A HOOD, TOP ENTRY PG11, 2 EAR, POWDER COATED, GREY H3A上壳, 顶出PG11, 2耳, 灰色粉末喷涂 | PG11 |
| T1329030120-000 | H3A-MTG-M20 H3A HOOD, TOP ENTRY M20, 2 EAR, POWDER COATED, GREY H3A上壳, 顶出M20, 2耳, 灰色粉末喷涂 | M20X1.5 |
| T1329034111-000 | H3A-MTG-PG11 H3A HOOD, TOP ENTRY PG11, 2 EAR, POWDER COATED WITH INSIDE AND OUTSIDE, GREY H3A上壳, 顶出PG11, 2耳, 灰色粉末里外喷涂 | PG11 |
| T1329036120-000 | H3A-MTG-M20 H3A HOOD, TOP ENTRY M20, 2 EAR, POWDER COATED WITH INSIDE AND OUTSIDE, GREY H3A上壳, 顶出M20, 2耳, 灰色粉末里外喷涂 | M20X1.5 |
| T1329035111-100 | H3A-MTG-EMC-PG11 H3A EMC HOOD, TOP ENTRY PG11, 2 EAR, Ni PLATED H3A屏蔽上壳, 顶出PG11, 2耳, 镀镍 | PG11 |
| T1329035120-100 | H3A-MTG-EMC-M20 H3A EMC HOOD, TOP ENTRY M20, 2 EAR, Ni PLATED H3A屏蔽上壳, 顶出M20, 2耳, 镀镍 | M20X1.5 |

THIS DRAWING IS A CONTROLLED DOCUMENT.

DWN 04MAY2015 DAVID LI
CHK 04MAY2015 CHRIS WANG
APVD 04MAY2015 XU XIANG

PRODUCT SPEC 108-137012
APPLICATION SPEC 114-137012

WEIGHT -

CUSTOMER DRAWING

NAME H3A-MTG/MTG-EMC-PG/M

SIZE A3 CAGE CODE - DRAWING NO. C-T132903X1XXX00 RESTRICTED TO

SCALE 1:1 SHEET 1 OF 1 REV A2

TE Connectivity

| DIMENSIONS: | TOLERANCES UNLESS OTHERWISE SPECIFIED: |
|-------------|--|
| mm | |
| | 0 PLC ±- |
| | 1 PLC ±- |
| | 2 PLC ±- |
| | 3 PLC ±- |
| | 4 PLC ±- |
| | ANGLES ±- |
| MATERIAL - | FINISH - |

X-ON Electronics

Largest Supplier of Electrical and Electronic Components

Click to view similar products for [Heavy Duty Power Connectors](#) category:

Click to view products by [TE Connectivity](#) manufacturer:

Other Similar products are found below :

[1424439](#) [1424438](#) [09330062652](#) [2-8675P1](#) [605601-1](#) [6340G1](#) [6341G1](#) [6360G1](#) [6373G1](#) [6374g2](#) [6396G1](#) [647757-1](#) [66394-4](#) [6643411-1](#)
[6646058-2](#) [6646137-1](#) [6646138-1](#) [6646348-1](#) [6646479-1](#) [6646608-1](#) [6646786-1](#) [6646940-1](#) [6651091-1](#) [6651525-1](#) [6651529-1](#) [6651778-1](#)
[6651788-1](#) [696465-1](#) [696475-1](#) [73000005059](#) [73000005349](#) [73000005642](#) [73080255059](#) [73080965046](#) [765-15-0080A](#) [765-16-0080B](#)
[789.700-44](#) [789.700-54](#) [80-1010](#) [80-9](#) [827381-1](#) [829992-1](#) [902-77-02113](#) [PL00U-301-10D10](#) [PM103MOOLOO](#) [PM16S1620S32-50](#)
[PM212MOOLOO](#) [PM309FOOLOO](#) [PM324FOOLCH](#) [PMHPAF11S03](#)