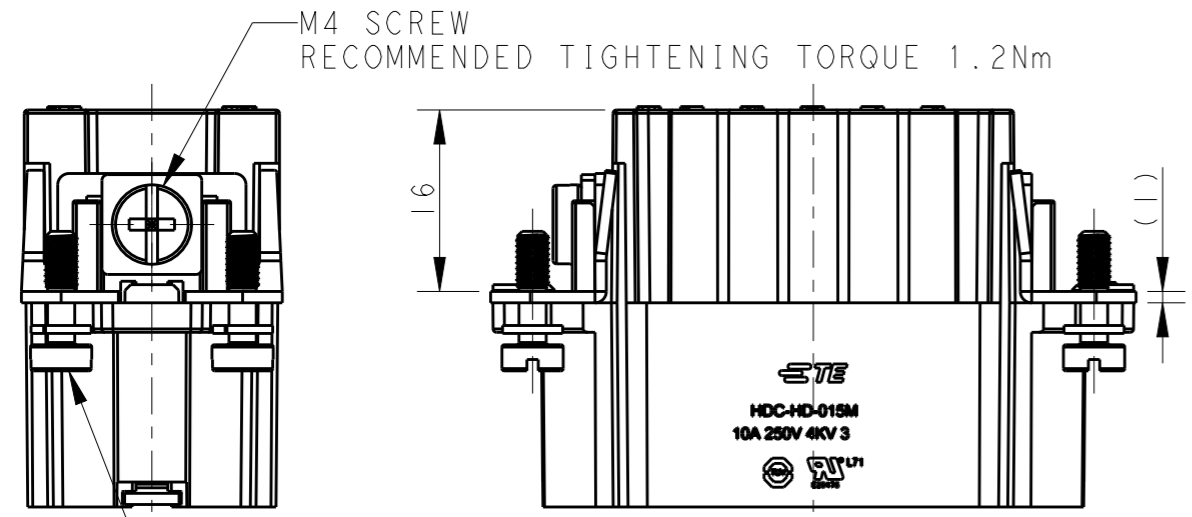
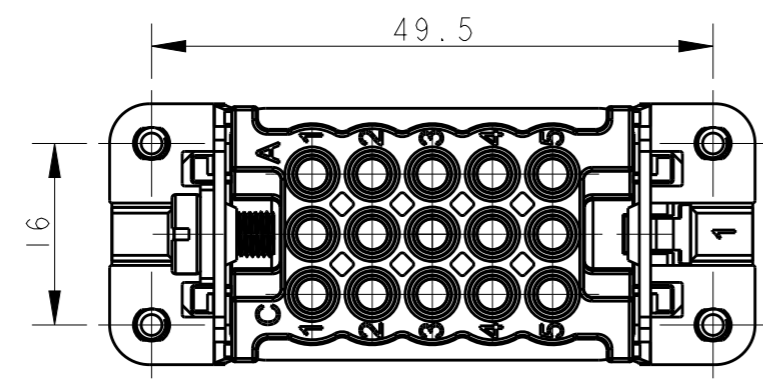
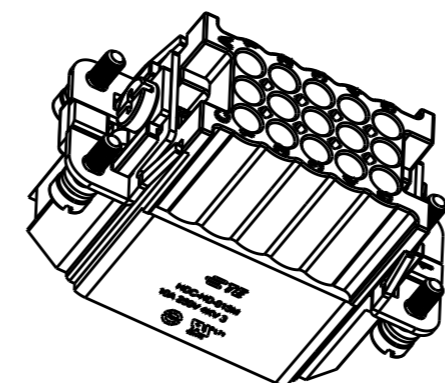
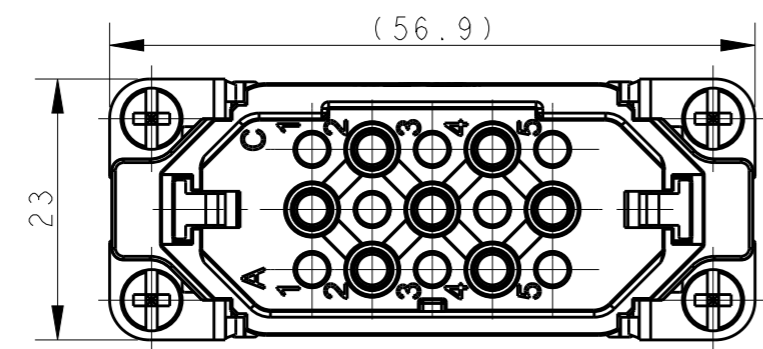


THIS DRAWING IS UNPUBLISHED. RELEASED FOR PUBLICATION 20
 © COPYRIGHT 20 BY - ALL RIGHTS RESERVED.

| REVISIONS | | | | | |
|-----------|-----|-----------------|-----------|-----|------|
| P | LTR | DESCRIPTION | DATE | DWN | APVD |
| A | | INITIAL RELEASE | 16DEC2014 | HMR | CW |
| B | | ECR-15-013292 | 16SEP2015 | DL | CW |
| C | | ECR-18-016084 | 13OCT2018 | GY | CW |

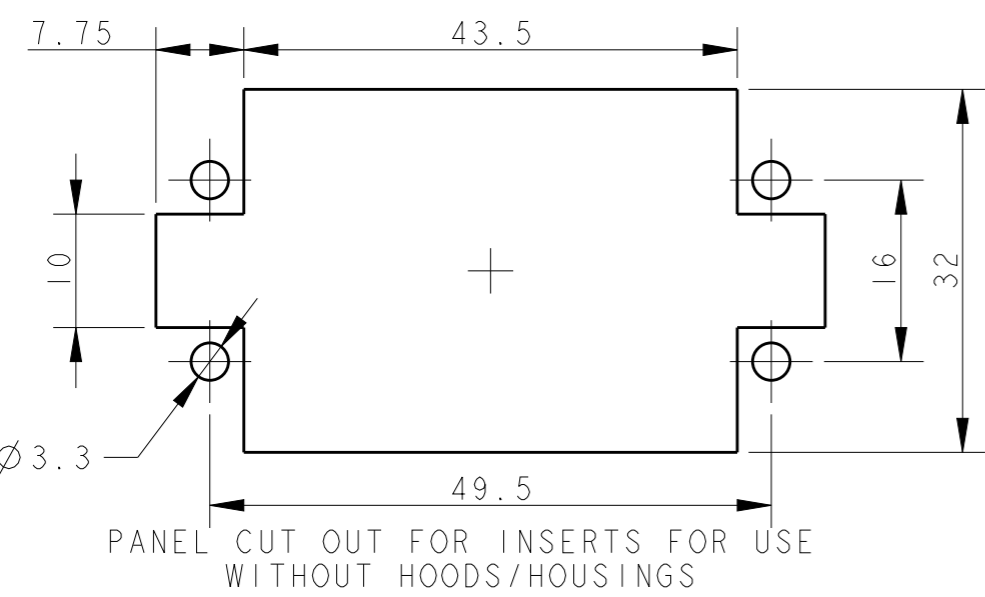


4-M3 SCREW
 RECOMMENDED TIGHTENING TORQUE 0.5Nm



NOTES:
 1. TECHNICAL CHARACTERISTICS:
 INSULATION MATERIAL: PC
 RATED VOLTAGE: 250 V
 RATED CURRENT: 10 A
 INSULATION RESISTANCE: >=400MΩ
 RATED IMPULSE VOLTAGE: 4 KV
 POLLUTION DEGREE: 3
 FLAMMABILITY: UL94V-0
 MATING CYCLES: 500 CYCLES
 OPERATION TEMPERATURE: -40-+125°C
 WIRE RANGE: 0.14-2.5 mm² (26-14 AWG)
 CONTACT TYPE: CRIMP CONTACT
 2. CONTACT NEED TO BE ORDERED SEPARATELY.
 (ORDER No. REFER TO DRAWING:T20200X10XX000)

注释:
 1. 技术参数:
 绝缘材料: PC
 额定电压: 250V
 额定电流: 10A
 绝缘电阻: >=400MΩ
 额定脉冲电压: 4 KV
 污染等级: 3
 阻燃等级: UL94V-0
 插拔次数: 500次
 工作温度: -40-+125°C
 接线范围: 0.14-2.5 mm² (26-14 AWG)
 接线类型: 冷压接
 2. 端子需要单独订购.
 (订货号参考图面: T20200X10XX000)



| | | |
|---------------------|--------------------------|--------------------------------|
| T2020152101-000 | HD-015-M | HD-015 MALE INSERT HD-015公插 |
| PART NUMBER 零件料号 | PART DESCRIPTION 零件描述 | |

| | | | | |
|--|--|----------------------------------|----------------------------|------------------------------|
| THIS DRAWING IS A CONTROLLED DOCUMENT. | | DWN 16DEC2014 RAGHAVENDRA H M | STE TE Connectivity | |
| DIMENSIONS: mm | | CHK 16DEC2014 CHRIS WANG | | |
| TOLERANCES UNLESS OTHERWISE SPECIFIED: | | APVD 16DEC2014 XU XIANG | NAME HD-015-M | |
| 0 PLC ±.015 | | PRODUCT SPEC 108-137042 | SIZE A3 | |
| 1 PLC ±.015 | | APPLICATION SPEC 114-137042 | CAGE CODE - | DRAWING NO T2020152101000 |
| 2 PLC ±.015 | | WEIGHT - | RESTRICTED TO | |
| 3 PLC ±.015 | | CUSTOMER DRAWING | SCALE 3:2 | |
| 4 PLC ±.015 | | | SHEET 1 OF 1 | |
| ANGLES ±.015 | | | REV C | |
| FINISH | | | | |

X-ON Electronics

Largest Supplier of Electrical and Electronic Components

Click to view similar products for [Heavy Duty Power Connectors](#) category:

Click to view products by [TE Connectivity](#) manufacturer:

Other Similar products are found below :

[1424439](#) [1424438](#) [09330062652](#) [2-8675P1](#) [605601-1](#) [6340G1](#) [6341G1](#) [6360G1](#) [6373G1](#) [6374g2](#) [6396G1](#) [647757-1](#) [66394-4](#) [6643411-1](#)
[6646058-2](#) [6646137-1](#) [6646138-1](#) [6646348-1](#) [6646479-1](#) [6646608-1](#) [6646786-1](#) [6646940-1](#) [6651091-1](#) [6651525-1](#) [6651529-1](#) [6651778-1](#)
[6651788-1](#) [696465-1](#) [696475-1](#) [73000005059](#) [73000005349](#) [73000005642](#) [73080255059](#) [73080965046](#) [765-15-0080A](#) [765-16-0080B](#)
[789.700-44](#) [789.700-54](#) [80-1010](#) [80-9](#) [827381-1](#) [829992-1](#) [902-77-02113](#) [PL00U-301-10D10](#) [PM103MOOLOO](#) [PM16S1620S32-50](#)
[PM212MOOLOO](#) [PM309FOOLOO](#) [PM324FOOLCH](#) [PMHPAF11S03](#)