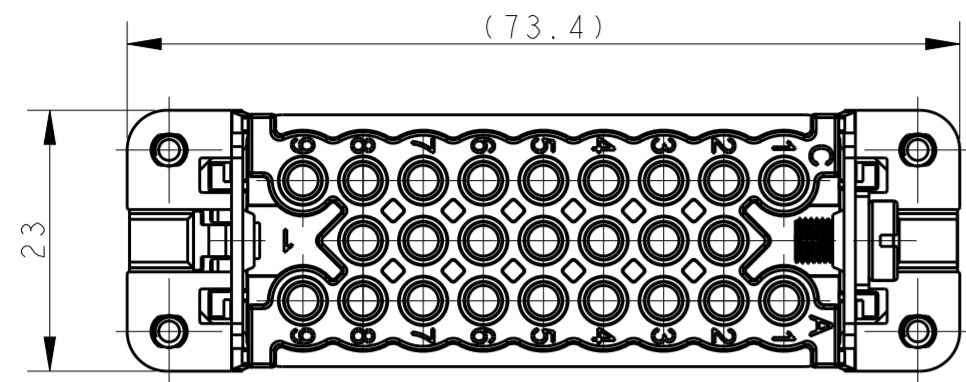


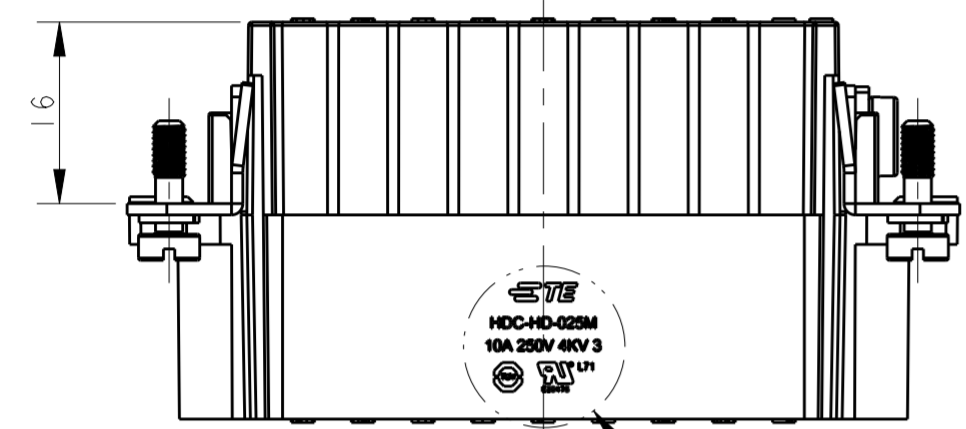
THIS DRAWING IS UNPUBLISHED. RELEASED FOR PUBLICATION 20
 © COPYRIGHT 20 BY - ALL RIGHTS RESERVED.

REVISIONS					
P	LTR	DESCRIPTION	DATE	DWN	APVD
A		INITIAL RELEASE	16DEC2014	HMR	CW
B		ECR-15-013292	24SEP2015	DL	CW
BI		ECR-16-011552	11AUG2016	QY	CW

TYPT-1 / 类型-1

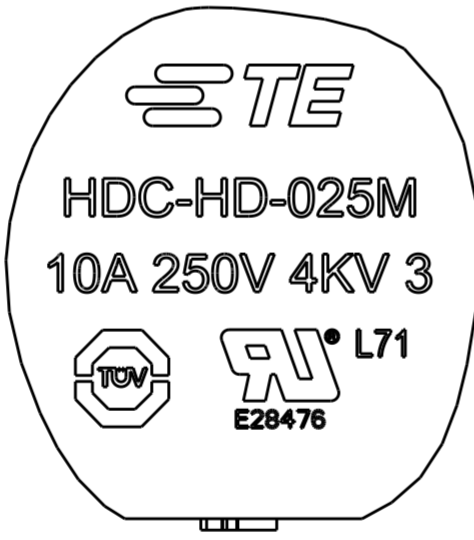
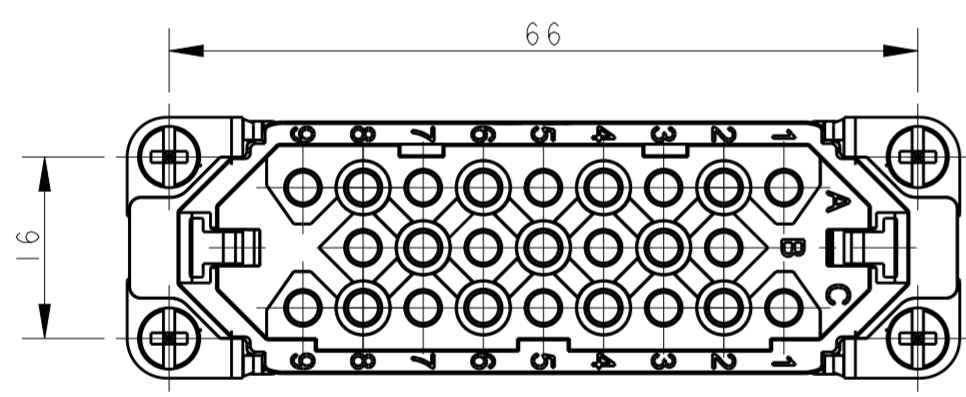


4X M3 SCREW
 RECOMMENDED TIGHTENING TORQUE 0.5Nm
 4X M3螺丝
 推荐锁紧力矩0.5Nm

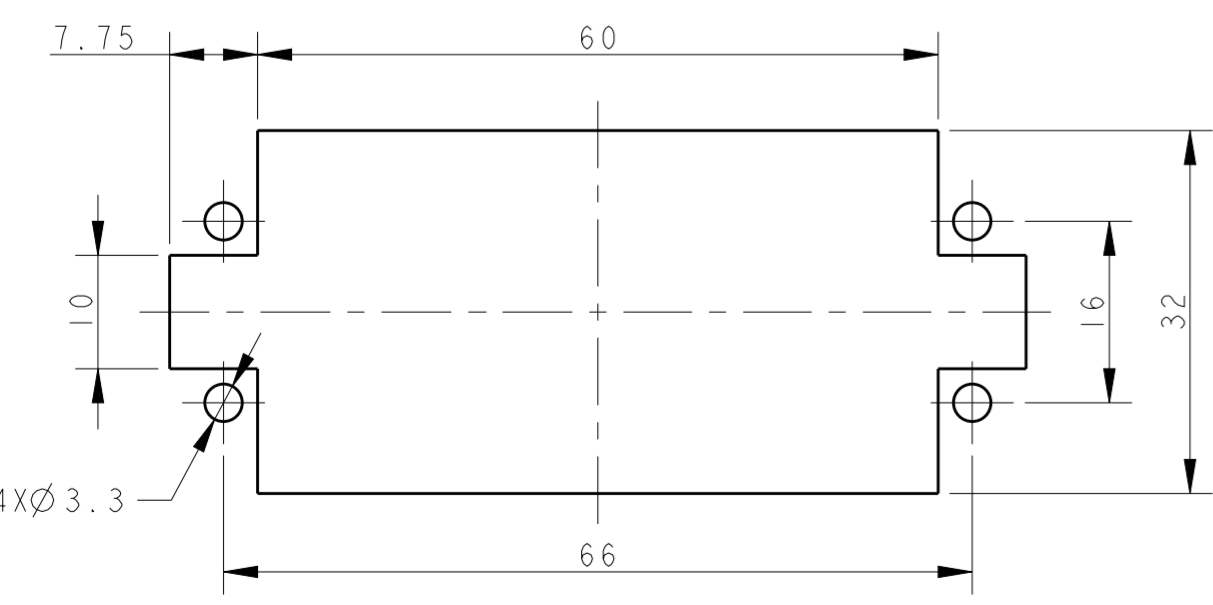


DETAIL C

M4 SCREW
 RECOMMENDED TIGHTENING TORQUE 1.2Nm
 M4螺丝
 推荐锁紧力矩1.2Nm

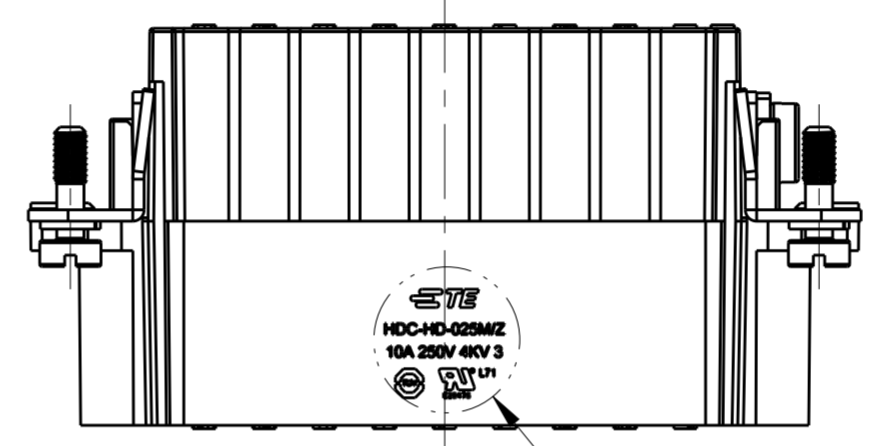
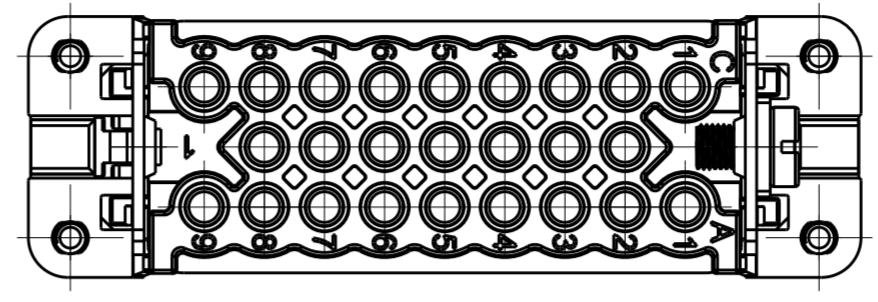


DETAIL C
 SCALE 5:1

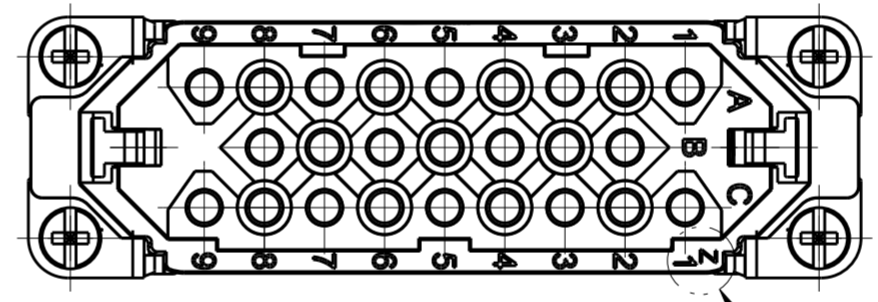


PANEL CUT OUT FOR INSERTS FOR USE WITHOUT HOODS/HOUSINGS

TYPT-2 / 类型-2

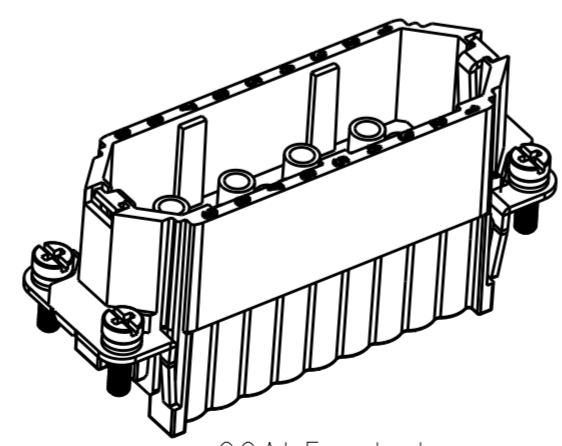


DETAIL A



DETAIL B

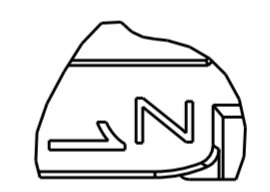
NOTE: TYPE-2 ALL THE DIMENSIONS ARE THE SAME WITH TYPE-1 EXCEPT THE LASER PRINT MARKINGS
 提示: 类型-2的所有尺寸与类型-1一致, 除了激光打标不一样, 详见视图



SCALE 1:1

- NOTES:
- TECHNICAL CHARACTERISTICS:
 INSULATION MATERIAL: PC
 RATED VOLTAGE: 250 V
 RATED CURRENT: 10 A
 INSULATION RESISTANCE: >=400MΩ
 RATED IMPULSE VOLTAGE: 4 KV
 POLLUTION DEGREE: 3
 FLAMMABILITY: UL94V-0
 MATING CYCLES: 500 CYCLES
 WIRE RANGE: 0.14-2.5 mm² (26-14 AWG)
 CONTACT TYPE: CRIMP CONTACT
 - CONTACT NEED TO BE ORDERED SEPARATELY.
 (ORDER No. REFER TO DRAWING: T20200X10XX000)

- 注释:
- 技术参数:
 绝缘材料: PC
 额定电压: 250V
 额定电流: 10A
 绝缘电阻: >=400MΩ
 额定脉冲电压: 4 KV
 污染等级: 3
 阻燃等级: UL94V-0
 插拔次数: 500次
 接线范围: 0.14-2.5 mm² (26-14 AWG)
 接线类型: 冷压接
 - 端子需要单独订购.
 (订货号参考图面: T20200X10XX000)



DETAIL B
 SCALE 5:1



DETAIL A
 SCALE 5:1

T2020252101-Z00	HD-025-M/Z	HD-025 MALE INSERT(Z) HD-025公插(Z)	TYPE-2 类型-2
T2020252101-000	HD-025-M	HD-025 MALE INSERT HD-025公插	TYPE-1 类型-1
PART NUMBER 料号	PART DESCRIPTION 描述		TYPE 类型

DIMENSIONS:		TOLERANCES UNLESS OTHERWISE SPECIFIED:		THIS DRAWING IS A CONTROLLED DOCUMENT.		DWN 16DEC2014 RAGHAVENDRA H M		CHK 16DEC2014 CHRIS WANG		APVD 16DEC2014 XU XIANG		NAME HD-025-M	
mm	0 PLC ±	1 PLC ±	2 PLC ±	3 PLC ±	4 PLC ±	ANGLES ±	FINISH	PRODUCT SPEC 108-137042	APPLICATION SPEC 114-137042	WEIGHT	SIZE A2	CAGE CODE	DRAWING NO G-T2020252101000
MATERIAL TBD	CUSTOMER DRAWING		SCALE 3:2	SHEET 1	OF 1	REV B1	TE Connectivity						

X-ON Electronics

Largest Supplier of Electrical and Electronic Components

Click to view similar products for [Heavy Duty Power Connectors](#) category:

Click to view products by [TE Connectivity](#) manufacturer:

Other Similar products are found below :

[1424439](#) [1424438](#) [09330062652](#) [2-8675P1](#) [605601-1](#) [6340G1](#) [6341G1](#) [6360G1](#) [6373G1](#) [6374g2](#) [6396G1](#) [647757-1](#) [66394-4](#) [6643411-1](#)
[6646058-2](#) [6646137-1](#) [6646138-1](#) [6646348-1](#) [6646479-1](#) [6646608-1](#) [6646786-1](#) [6646940-1](#) [6651091-1](#) [6651525-1](#) [6651529-1](#) [6651778-1](#)
[6651788-1](#) [696465-1](#) [696475-1](#) [73000005059](#) [73000005349](#) [73000005642](#) [73080255059](#) [73080965046](#) [765-15-0080A](#) [765-16-0080B](#)
[789.700-44](#) [789.700-54](#) [80-1010](#) [80-9](#) [827381-1](#) [829992-1](#) [902-77-02113](#) [PL00U-301-10D10](#) [PM103MOOLOO](#) [PM16S1620S32-50](#)
[PM212MOOLOO](#) [PM309FOOLOO](#) [PM324FOOLCH](#) [PMHPAF11S03](#)