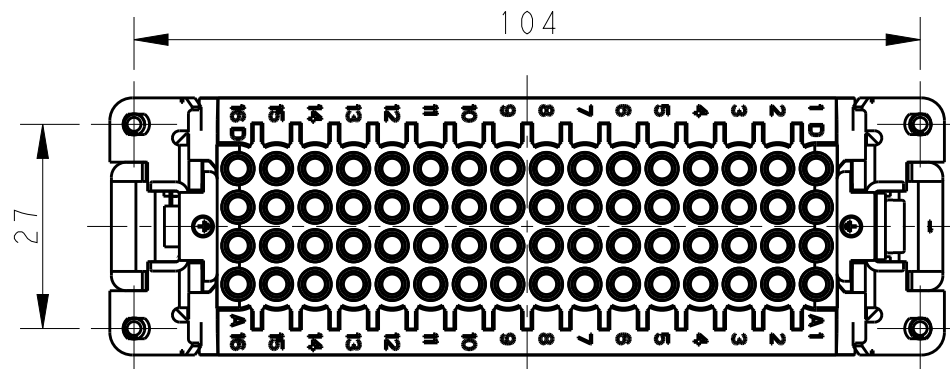


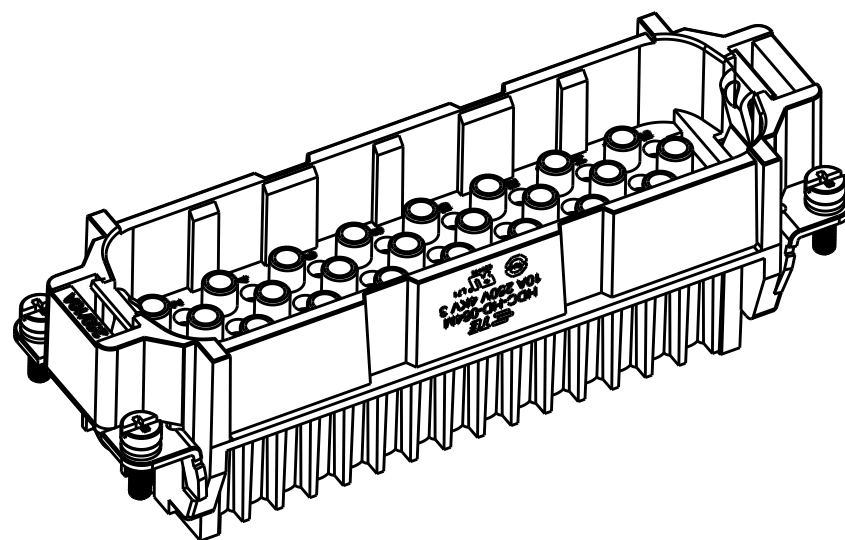
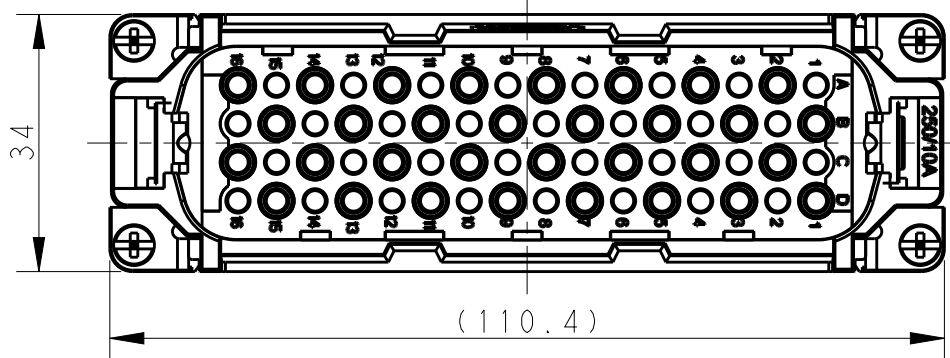
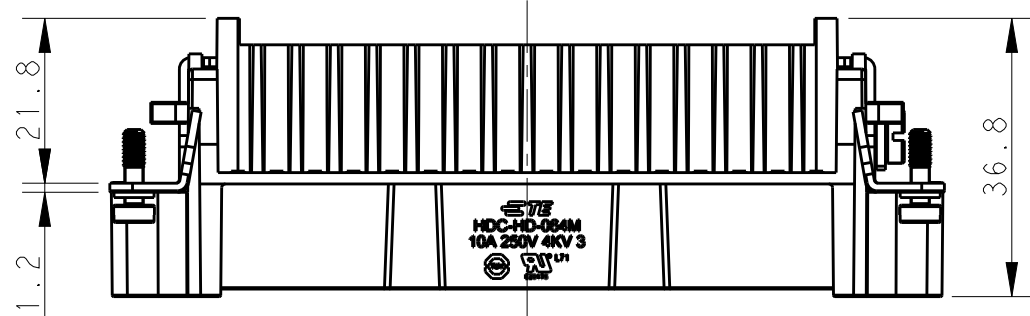
THIS DRAWING IS UNPUBLISHED. RELEASED FOR PUBLICATION 20
 © COPYRIGHT 20 BY - ALL RIGHTS RESERVED.

LOC	DIST	REVISIONS					
		P	LTR	DESCRIPTION	DATE	DWN	APVD
-	-		A1	ECR-15-010494	20JUN2015	DW	CW
			B	ECR-15-013292	24SEP2015	DL	CW
			B1	ECR-15-017530	02DEC2015	GY	CW
			B2	ECR-16-015492	12NOV2016	QY	CW



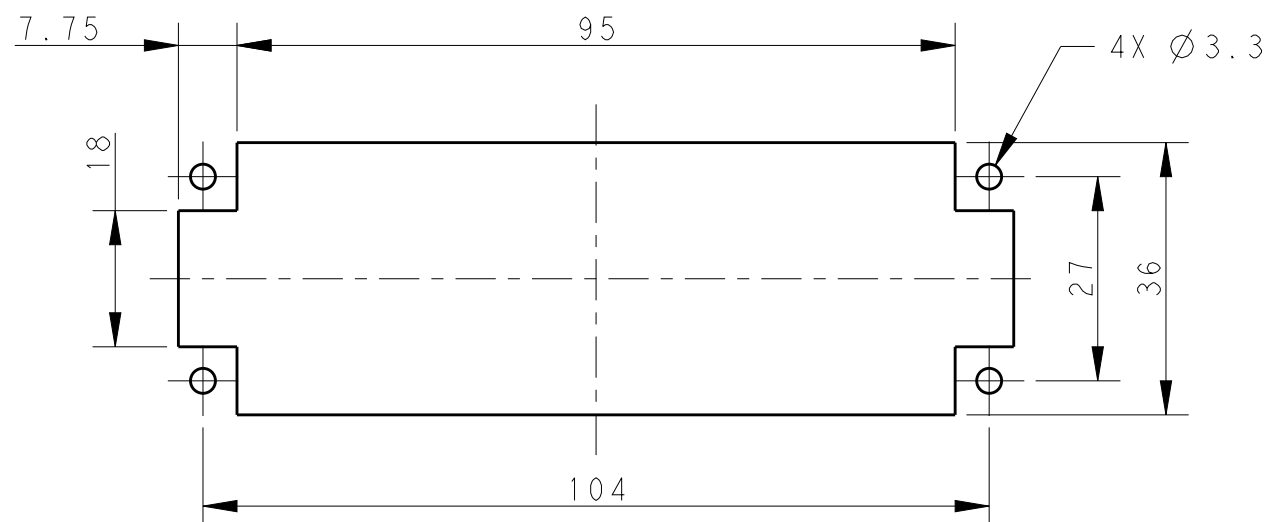
4X M3 SCREW RECOMMENDED
 TIGHTENING TORQUE 0.5Nm
 4X M3螺丝, 推荐锁紧力矩0.5Nm

M4 SCREW RECOMMENDED
 TIGHTENING TORQUE 1.2Nm
 M4 螺丝, 推荐锁紧力矩1.2Nm



NOTES:
 1. TECHNICAL CHARACTERISTICS:
 INSULATION MATERIAL: PC
 RATED VOLTAGE: 250 V
 RATED CURRENT: 10 A
 INSULATION RESISTANCE: $\geq 400M\Omega$
 RATED IMPULSE VOLTAGE: 4 KV
 POLLUTION DEGREE: 3
 FLAMMABILITY: UL94V-0
 MATING CYCLES: 500 CYCLES
 WIRE RANGE: 0.14-2.5 mm² (26-14 AWG)
 CONTACT TYPE: CRIMP CONTACT
 2. CONTACT NEED TO BE ORDERED SEPARATELY.
 (ORDER No. REFER TO DRAWING:T20200X10XX000)

注释:
 1. 技术参数:
 绝缘材料: PC
 额定电压: 250V
 额定电流: 10A
 绝缘电阻: $\geq 400M\Omega$
 额定脉冲电压: 4 KV
 污染等级: 3
 阻燃等级: UL94V-0
 插拔次数: 500次
 接线范围: 0.14-2.5 mm² (26-14 AWG)
 接线类型: 冷压接
 2. 端子需要单独订购.
 (订货号参考图面: T20200X10XX000)



PANEL CUT FOR INSERTS FOR USE
 WITHOUT HOODS/ HOUSINGS
 不用防护外壳时芯件的安装开孔图

TYPE-1, T2020642101-000, TE LOGO
 类型-1, T2020642101-000, TE LOGO
 TYPE-2, T2020642101-001, STAINLESS STEEL SCREW, TE LOGO
 类型-2, T2020642101-001, 不锈钢螺丝, TE LOGO

THIS DRAWING IS A CONTROLLED DOCUMENT.		DWN 30OCT2014 David Wang	TE Connectivity	
DIMENSIONS: mm		CHK 30OCT2014 Chris Wang		
TOLERANCES UNLESS OTHERWISE SPECIFIED:		APVD 30OCT2014 Xiang Xu	NAME HD-064-M	
0 PLC ±-		PRODUCT SPEC 108-137042	SIZE CAGE CODE DRAWING NO RESTRICTED TO	
1 PLC ±-		APPLICATION SPEC 114-137042	A300779 © T2020642101000	
2 PLC ±-		WEIGHT -	SCALE 1:1 SHEET 1 OF 2 REV B2	
3 PLC ±-				
4 PLC ±-				
ANGLES ±-				
FINISH -				
MATERIAL -		Customer Drawing		

4

3

2

1

THIS DRAWING IS UNPUBLISHED.

RELEASED FOR PUBLICATION

20

© COPYRIGHT 20 BY -

ALL RIGHTS RESERVED.

LOC	DIST	REVISIONS					
		P	LTR	DESCRIPTION	DATE	DWN	APVD
-	-	-	-	SEE SHEET 1	-	-	-

NOTE:
SEE SHEET 1
注释:
见页 1

TYPE-3, T2020642101-002, STAINLESS STEEL SCREW, NO LOGO
类型-3, T2020642101-002, 不锈钢螺丝, 无LOGO

T2020642101-002	HD-064-M	HD-064 MALE INSERT, STAINLESS STEEL SCREW, NO LOGO HD-064 公插, 不锈钢螺丝, 无LOGO	TYPE-3 类型-3
T2020642101-001	HD-064-M	HD-064 MALE INSERT, STAINLESS STEEL SCREW HD-064 公插, 不锈钢螺丝	TYPE-2 类型-2
T2020642101-000	HD-064-M	HD-064 MALE INSERT HD-064 公插	TYPE-1 类型-1
PART NUMBER 料号	PART DESCRIPTION 描述		TYPE 类型

ALL DIMENSIONS ARE SAME AS TYPE 1,
EXCEPT THOSE DEFINED IN THIS TYPE.
除了在本类型中定义的尺寸外, 其它尺寸同类型 1

THIS DRAWING IS A CONTROLLED DOCUMENT.		DWN David Wang 30OCT2014			
DIMENSIONS: mm		CHK Chris Wang 30OCT2014			
TOLERANCES UNLESS OTHERWISE SPECIFIED:		APVD Xiang Xu 30OCT2014	NAME HD-064-M		
0 PLC ±- 1 PLC ±- 2 PLC ±- 3 PLC ±- 4 PLC ±- ANGLES ±-		PRODUCT SPEC 108-137042	RESTRICTED TO		
MATERIAL -		APPLICATION SPEC 114-137042	SIZE A3	CAGE CODE 00779	DRAWING NO T2020642101000
FINISH -		WEIGHT -	SCALE 1:1		
		Customer Drawing	SHEET 2 OF 2		
			REV B2		

1470-19 (3/11)

X-ON Electronics

Largest Supplier of Electrical and Electronic Components

Click to view similar products for [Heavy Duty Power Connectors](#) category:

Click to view products by [TE Connectivity](#) manufacturer:

Other Similar products are found below :

[1424439](#) [1424438](#) [09330062652](#) [2-8675P1](#) [605601-1](#) [6340G1](#) [6341G1](#) [6360G1](#) [6373G1](#) [6374g2](#) [6396G1](#) [647757-1](#) [66394-4](#) [6643411-1](#)
[6646058-2](#) [6646137-1](#) [6646138-1](#) [6646348-1](#) [6646479-1](#) [6646608-1](#) [6646786-1](#) [6646940-1](#) [6651091-1](#) [6651525-1](#) [6651529-1](#) [6651778-1](#)
[6651788-1](#) [696465-1](#) [696475-1](#) [73000005059](#) [73000005349](#) [73000005642](#) [73080255059](#) [73080965046](#) [765-15-0080A](#) [765-16-0080B](#)
[789.700-44](#) [789.700-54](#) [80-1010](#) [80-9](#) [827381-1](#) [829992-1](#) [902-77-02113](#) [PL00U-301-10D10](#) [PM103MOOLOO](#) [PM16S1620S32-50](#)
[PM212MOOLOO](#) [PM309FOOLOO](#) [PM324FOOLCH](#) [PMHPAF11S03](#)