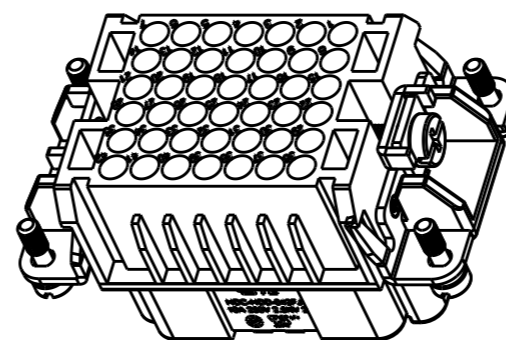
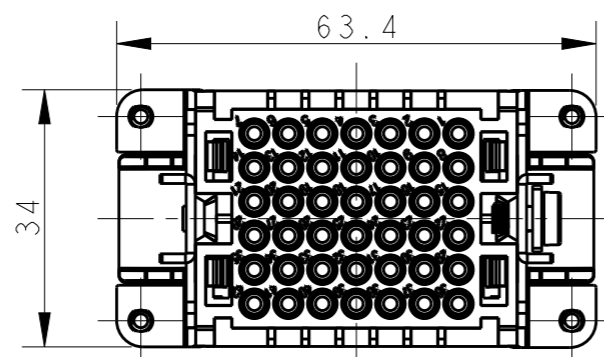


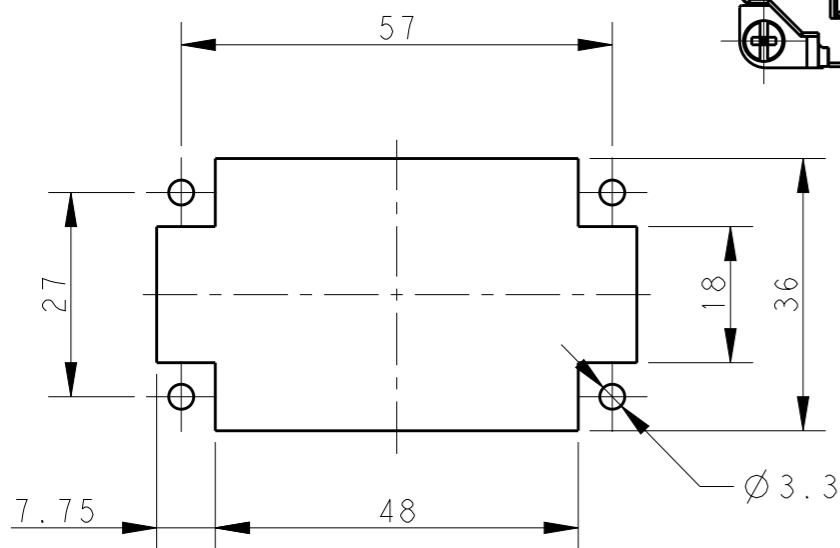
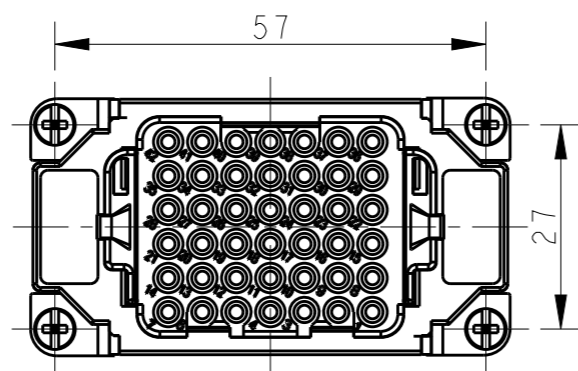
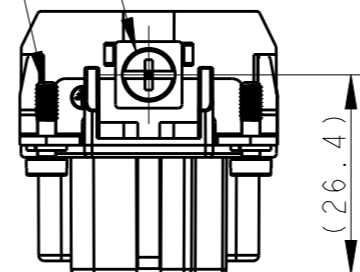
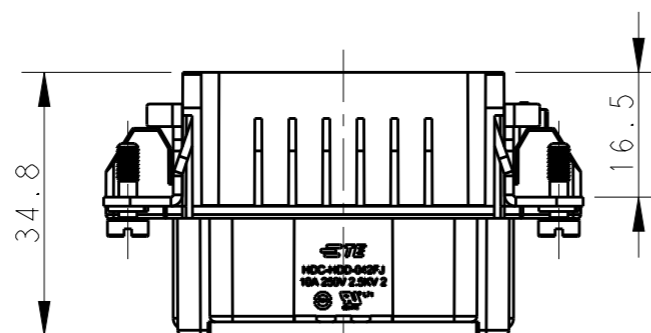
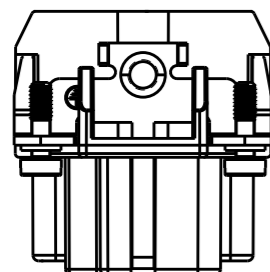
REVISIONS

P	LTR	DESCRIPTION	DATE	DWN	APVD
A		INITIAL RELEASE	19MAR2015	DL	CW
B		ECR-15-013292	24SEP2015	DL	CW



M4 SCREW
RECOMMENDED TIGHTENING TORQUE 1.2Nm

4 X M3 SCREW
RECOMMENDED TIGHTENING TORQUE 0.5Nm



PANEL CUT OUT FOR INSERTS FOR USING WITHOUT HOODS/HOUSINGS


NOTES:

- TECHNICAL CHARACTERISTICS:
INSULATION MATERIAL: PC
RATED VOLTAGE: 250 V
RATED CURRENT: 10 A
INSULATION RESISTANCE: $\geq 400M\Omega$
RATED IMPULSE VOLTAGE: 2.5 KV
POLLUTION DEGREE: 2
FLAMMABILITY: UL94V-0
MATING CYCLES: 500 CYCLES
OPERATION TEMPERATURE: $-40-+125^{\circ}C$
WIRE RANGE: 0.14-2.5 mm² (26-14 AWG)
CONTACT TYPE: ROLLED CRIMP CONTACT
- CONTACT NEED TO BE ORDERED SEPARATELY.

注释:

- 技术参数:
绝缘材料: PC
额定电压: 250V
额定电流: 10A
绝缘电阻: $\geq 400M\Omega$
额定脉冲电压: 2.5 KV
污染等级: 2
阻燃等级: UL94V-0
插拔次数: 500次
工作温度: $-40-+125^{\circ}C$
接线范围: 0.14-2.5 mm² (26-14 AWG)
接线类型: 卷皮式冷压接
- 端子需要单独订购.

HDD-042-FJ	T2030423201-000
DESCRIPTION	PART NUMBER

THIS DRAWING IS A CONTROLLED DOCUMENT.		DWN	DAVID LI	18MAR2015	 TE Connectivity NAME HDD-042-FJ			
DIMENSIONS:		CHK	CHRIS WANG	18MAR2015				
mm		APVD	XU XIANG	18MAR2015				
TOLERANCES UNLESS OTHERWISE SPECIFIED:		PRODUCT SPEC	108-137043					
0 PLC ±-		APPLICATION SPEC	114-137043		SIZE	CAGE CODE	DRAWING NO	RESTRICTED TO
1 PLC ±-		MATERIAL	-		A3	-	©-T2030423201000	-
2 PLC ±-		FINISH	-		CUSTOMER DRAWING			
3 PLC ±-		SCALE		1:1	SHEET		1 OF 1	REV
4 PLC ±-		WEIGHT		-	REV		B	
ANGLES ±-								

X-ON Electronics

Largest Supplier of Electrical and Electronic Components

Click to view similar products for [Heavy Duty Power Connectors](#) category:

Click to view products by [TE Connectivity](#) manufacturer:

Other Similar products are found below :

[1424439](#) [1424438](#) [09330062652](#) [2-8675P1](#) [605601-1](#) [6340G1](#) [6341G1](#) [6360G1](#) [6373G1](#) [6374g2](#) [6396G1](#) [647757-1](#) [66394-4](#) [6643411-1](#)
[6646058-2](#) [6646137-1](#) [6646138-1](#) [6646348-1](#) [6646479-1](#) [6646608-1](#) [6646786-1](#) [6646940-1](#) [6651091-1](#) [6651525-1](#) [6651529-1](#) [6651778-1](#)
[6651788-1](#) [696465-1](#) [696475-1](#) [73000005059](#) [73000005349](#) [73000005642](#) [73080255059](#) [73080965046](#) [765-15-0080A](#) [765-16-0080B](#)
[789.700-44](#) [789.700-54](#) [80-1010](#) [80-9](#) [827381-1](#) [829992-1](#) [902-77-02113](#) [PL00U-301-10D10](#) [PM103MOOLOO](#) [PM16S1620S32-50](#)
[PM212MOOLOO](#) [PM309FOOLOO](#) [PM324FOOLCH](#) [PMHPAF11S03](#)