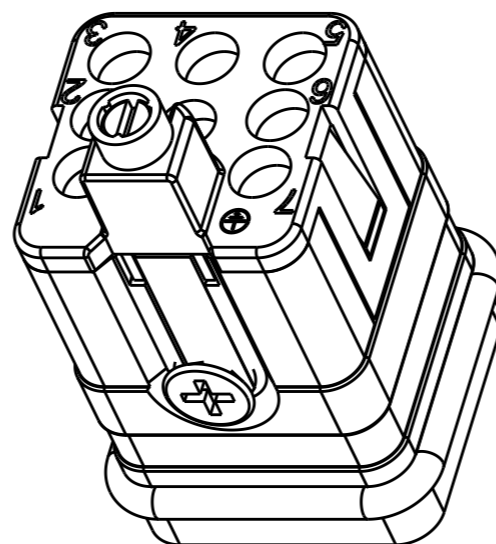
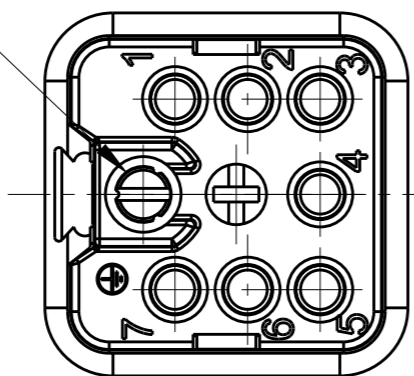


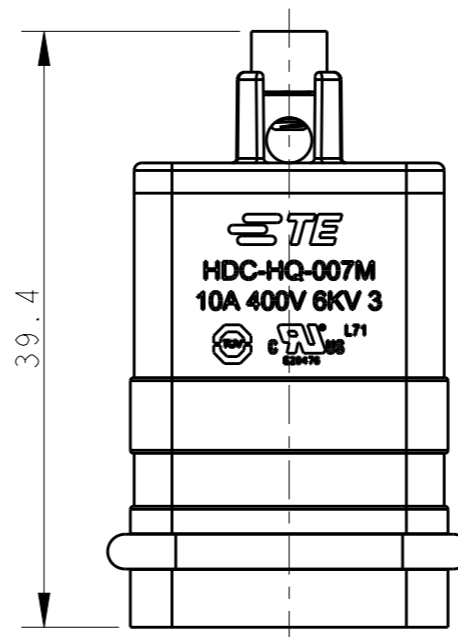
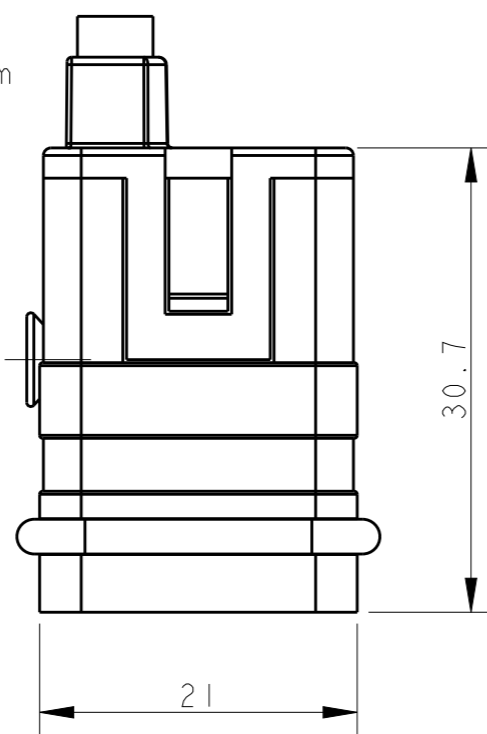
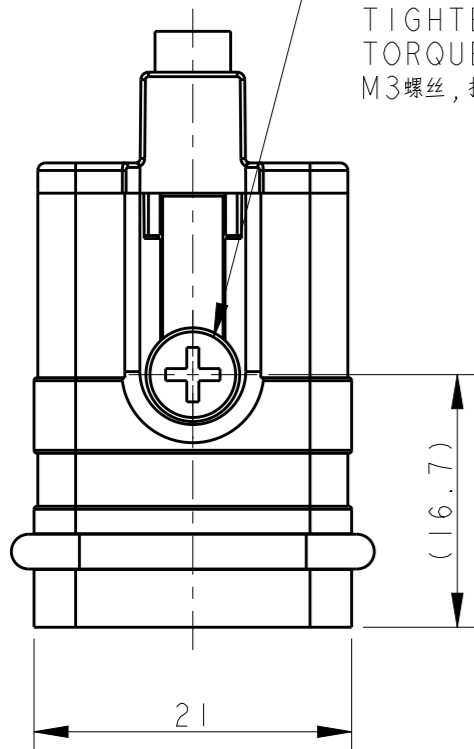
REVISIONS

P	LTR	DESCRIPTION	DATE	DWN	APVD
A		INITIAL RELEASE	02APR2015	DL	CW
B		ECR-15-014706	10OCT2015	DL	CW
B1		ECR-15-016505	11NOV2015	DL	CW
B2		ECR-16-018198	16JAN2017	QY	CW

M3 THREAD
RECOMMENDED
TIGHTENING
TORQUE 0.5Nm
M3螺丝, 推荐锁紧力矩0.5Nm



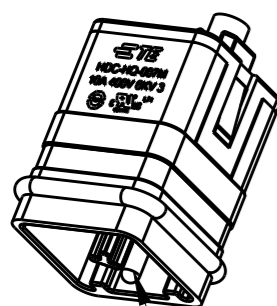
M3 THREAD
RECOMMENDED
TIGHTENING
TORQUE 0.5Nm
M3螺丝, 推荐锁紧力矩0.5Nm



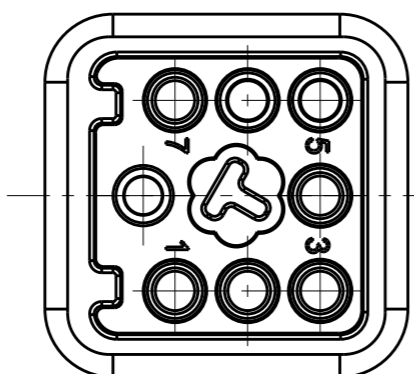
- NOTES:
- TECHNICAL CHARACTERISTICS:
INSULATION MATERIAL: PC
RATED VOLTAGE: 400 V
RATED CURRENT: 10 A
INSULATION RESISTANCE: $\geq 400M\Omega$
RATED IMPULSE VOLTAGE: 6 KV
POLLUTION DEGREE: 3
FLAMMABILITY: UL94V-0
MATING CYCLES: 500 CYCLES
WIRE RANGE: 0.14-2.5 mm² (26-14 AWG)
CONTACT TYPE: CRIMP CONTACT
 - CONTACT NEED TO BE ORDERED SEPARATELY.
(ORDER No. REFER TO DRAWING: T20200X10XX000)


- 注释:
- 技术参数:
绝缘材料: PC
额定电压: 400V
额定电流: 10A
绝缘电阻: $\geq 400M\Omega$
额定脉冲电压: 6 KV
污染等级: 3
阻燃等级: UL94V-0
插拔次数: 500次
接线范围: 0.14-2.5 mm² (26-14 AWG)
接线类型: 冷压接
 - 端子需要单独订购.
(订货号参考图面: T20200X10XX000)

TYPE-1:T2080072101-000 TE LOGO
类型-1:T2080072101-000 TE LOGO



GROUNDING CONTACT TYPE: SCREW CONTACT
GROUNDING CONTACT FINISH: SILVER PLATED
WIRE RANGE: 2.5mm² (AWG14)
接地端子类型: 螺丝连接端子 / 接地端子表面处理: 镀银 / 接线范围: 2.5mm² (AWG14)



THIS DRAWING IS A CONTROLLED DOCUMENT.		DWN 31MAR2015 DAVID LI	 TE Connectivity		
DIMENSIONS: mm		CHK 31MAR2015 CHRIS WANG			
TOLERANCES UNLESS OTHERWISE SPECIFIED:		APVD 31MAR2015 XU XIANG	NAME HQ-007-M		
0 PLC ±- 1 PLC ±- 2 PLC ±- 3 PLC ±- 4 PLC ±- ANGLES ±-		PRODUCT SPEC 108-137114	RESTRICTED TO		
MATERIAL		APPLICATION SPEC 114-137114	SIZE A3	CAGE CODE -	DRAWING NO T2080072101000
FINISH		WEIGHT -	SCALE 2:1		SHEET 1 OF 2
		CUSTOMER DRAWING	REV B2		

4

3

2

1

THIS DRAWING IS UNPUBLISHED.

RELEASED FOR PUBLICATION

20

© COPYRIGHT 20 BY -

ALL RIGHTS RESERVED.

REVISIONS

P	LTR	DESCRIPTION	DATE	DWN	APVD
-		SEE SHEET 1	-	-	-

ALL DIMENSIONS ARE SAME AS TYPE 1,
EXCEPT THOSE DEFINED IN THIS TYPE.
除了在本类型中定义的尺寸外,其它尺寸同类型 |

NOTES:

SEE SHEET 1

注释:
见页 1

TYPE-2:T2080072101-001 STAINLESS STEEL SCREW,NO LOGO
类型-2:T2080072101-001 不锈钢螺丝,无LOGO

T2080072101-001	HQ-007-M	HQ-007 MALE INSERT, STAINLESS STEEL SCREW,NO LOGO HQ-007公插,不锈钢螺丝,无LOGO	TYPE-2 类型-2
T2080072101-000	HQ-007-M	HQ-007 MALE INSERT HQ-007公插	TYPE-1 类型-1
PART NUMBER 料号	PART DESCRIPTION 描述		TYPE 类型

GROUNDING CONTACT TYPE: SCREW CONTACT
GROUNDING CONTACT FINISH: SILVER PLATED
WIRE RANGE: 2.5mm² (AWG14)
接地端子类型: 螺丝连接端子 / 接地端子表面处理: 镀银 / 接线范围: 2.5mm² (AWG14)

THIS DRAWING IS A CONTROLLED DOCUMENT.		DWN DAVID LI 31MAR2015				
DIMENSIONS: mm		CHK CHRIS WANG 31MAR2015				
TOLERANCES UNLESS OTHERWISE SPECIFIED:		APVD XU XIANG 31MAR2015				
0 PLC ±- 1 PLC ±- 2 PLC ±- 3 PLC ±- 4 PLC ±- ANGLES ±-		NAME HQ-007-M				
MATERIAL		PRODUCT SPEC 108-137114	SIZE A3	CAGE CODE -	DRAWING NO C-T2080072101000	RESTRICTED TO -
FINISH		APPLICATION SPEC 114-137114	SCALE 2:1		SHEET 2 OF 2	REV B2
		WEIGHT -	CUSTOMER DRAWING			

1470-19 (3/13)

X-ON Electronics

Largest Supplier of Electrical and Electronic Components

Click to view similar products for [Heavy Duty Power Connectors](#) category:

Click to view products by [TE Connectivity](#) manufacturer:

Other Similar products are found below :

[1424439](#) [1424438](#) [09330062652](#) [2-8675P1](#) [605601-1](#) [6340G1](#) [6341G1](#) [6360G1](#) [6373G1](#) [6374g2](#) [6396G1](#) [647757-1](#) [66394-4](#) [6643411-1](#)
[6646058-2](#) [6646137-1](#) [6646138-1](#) [6646348-1](#) [6646479-1](#) [6646608-1](#) [6646786-1](#) [6646940-1](#) [6651091-1](#) [6651525-1](#) [6651529-1](#) [6651778-1](#)
[6651788-1](#) [696465-1](#) [696475-1](#) [73000005059](#) [73000005349](#) [73000005642](#) [73080255059](#) [73080965046](#) [765-15-0080A](#) [765-16-0080B](#)
[789.700-44](#) [789.700-54](#) [80-1010](#) [80-9](#) [827381-1](#) [829992-1](#) [902-77-02113](#) [PL00U-301-10D10](#) [PM103MOOLOO](#) [PM16S1620S32-50](#)
[PM212MOOLOO](#) [PM309FOOLOO](#) [PM324FOOLCH](#) [PMHPAF11S03](#)