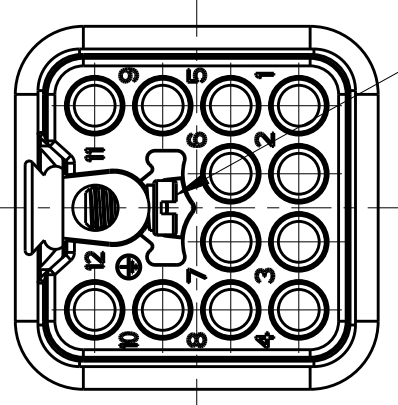


THIS DRAWING IS UNPUBLISHED. RELEASED FOR PUBLICATION 20  
 © COPYRIGHT 20 BY - ALL RIGHTS RESERVED.

REVISIONS

P	LTR	DESCRIPTION	DATE	DWN	APVD
A		INITIAL RELEASE	02APR2015	DL	CW
B		ECR-15-014706	10OCT2015	DL	CW
BI		ECR-15-016505	11NOV2015	DL	CW
C		ECR-17-007409	25MAY2017	DL	CW



M3 SCREW, RECOMMENDED  
 TIGHTENING TORQUE 0.5Nm  
 M3螺丝, 推荐扭力矩为0.5Nm

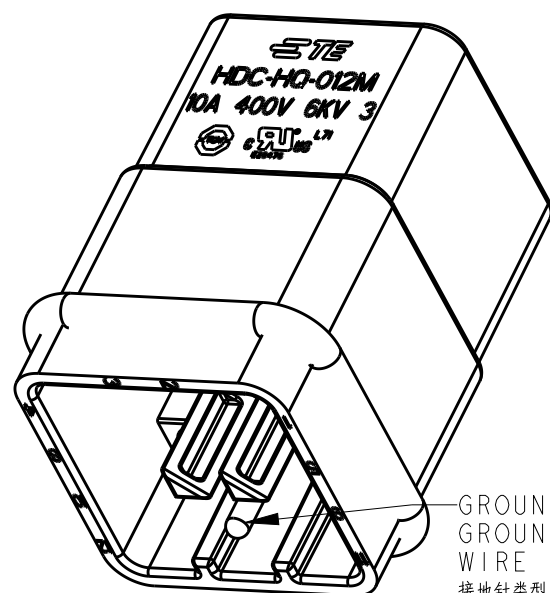
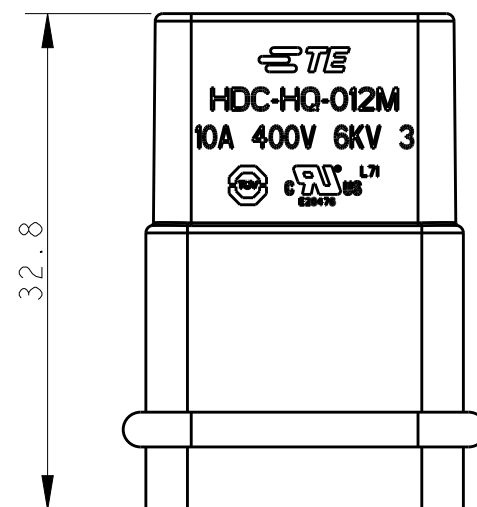
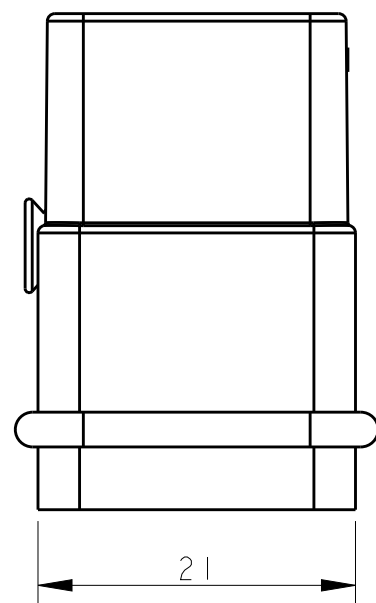
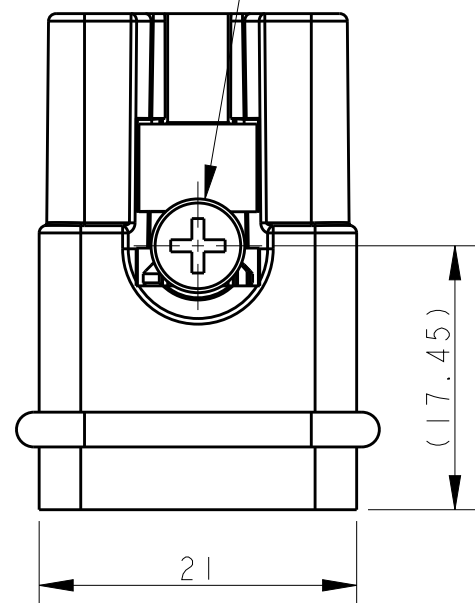
M3 SCREW, RECOMMENDED  
 TIGHTENING TORQUE 0.5Nm  
 M3螺丝, 推荐扭力矩为0.5Nm

NOTES:

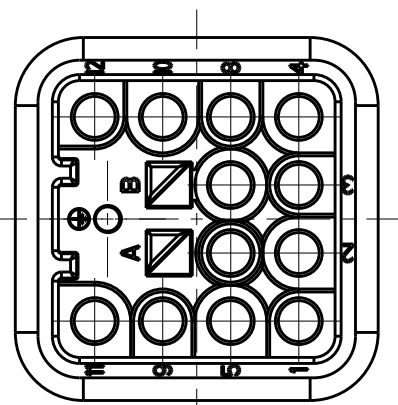
- TECHNICAL CHARACTERISTICS:  
 INSULATION MATERIAL: PC  
 RATED VOLTAGE: 400 V  
 RATED CURRENT: 10 A  
 INSULATION RESISTANCE:  $\geq 400M\Omega$   
 RATED IMPULSE VOLTAGE: 6 KV  
 POLLUTION DEGREE: 3  
 FLAMMABILITY: UL94V-0  
 MATING CYCLES: 500 CYCLES  
 WIRE RANGE: 0.14-2.5 mm<sup>2</sup> (26-14 AWG)  
 CONTACT TYPE: CRIMP CONTACT
- CONTACT NEED TO BE ORDERED SEPARATELY.  
 (ORDER No. REFER TO DRAWING: T20200X10XX000)

注释:

- 技术参数:  
 绝缘材料: PC  
 额定电压: 400V  
 额定电流: 10A  
 绝缘电阻:  $\geq 400M\Omega$   
 额定脉冲电压: 6KV  
 污染等级: 3  
 阻燃等级: UL94V-0  
 插拔次数: 500次  
 接线范围: 0.14-2.5 mm<sup>2</sup> (26-14 AWG)  
 接线类型: 冷压接
- 端子需要单独订购.  
 (订货号参考图面: T20200X10XX000)



GROUNDING CONTACT TYPE: SCREW CONTACT  
 GROUNDING CONTACT FINISH: SILVER PLATED  
 WIRE RANGE: 2.5mm<sup>2</sup> (AWG14)  
 接地针类型: 螺丝压接  
 接地针表面处理: 镀银  
 接线范围: 2.5mm<sup>2</sup> (AWG14)



T2080122101-000	HQ-012-M	HQ-012 MALE INSERT HQ-012 公插
PART NUMBER 料号	PART DESCRIPTION 描述	

THIS DRAWING IS A CONTROLLED DOCUMENT.

DIMENSIONS: mm	TOLERANCES UNLESS OTHERWISE SPECIFIED:
	0 PLC ±-
	1 PLC ±-
	2 PLC ±-
	3 PLC ±-
	4 PLC ±-
	ANGLES ±-
MATERIAL	FINISH
-	-
-	-

DWN	31MAR2015
DAVID LI	
CHK	31MAR2015
CHRIS WANG	
APVD	31MAR2015
XU XIANG	
PRODUCT SPEC	108-137114
APPLICATION SPEC	108-137114
WEIGHT	-
CUSTOMER DRAWING	

TE Connectivity		NAME	
		HQ-012-M	
SIZE	CAGE CODE	DRAWING NO	RESTRICTED TO
A3	-	©-T2080122101000	-
SCALE		SHEET	REV
2:1		1 OF 1	C

## X-ON Electronics

Largest Supplier of Electrical and Electronic Components

*Click to view similar products for [Heavy Duty Power Connectors](#) category:*

*Click to view products by [TE Connectivity](#) manufacturer:*

Other Similar products are found below :

[1424439](#) [1424438](#) [09330062652](#) [2-8675P1](#) [605601-1](#) [6340G1](#) [6341G1](#) [6360G1](#) [6373G1](#) [6374g2](#) [6396G1](#) [647757-1](#) [66394-4](#) [6643411-1](#)  
[6646058-2](#) [6646137-1](#) [6646138-1](#) [6646348-1](#) [6646479-1](#) [6646608-1](#) [6646786-1](#) [6646940-1](#) [6651091-1](#) [6651525-1](#) [6651529-1](#) [6651778-1](#)  
[6651788-1](#) [696465-1](#) [696475-1](#) [73000005059](#) [73000005349](#) [73000005642](#) [73080255059](#) [73080965046](#) [765-15-0080A](#) [765-16-0080B](#)  
[789.700-44](#) [789.700-54](#) [80-1010](#) [80-9](#) [827381-1](#) [829992-1](#) [902-77-02113](#) [PL00U-301-10D10](#) [PM103MOOLOO](#) [PM16S1620S32-50](#)  
[PM212MOOLOO](#) [PM309FOOLOO](#) [PM324FOOLCH](#) [PMHPAF11S03](#)