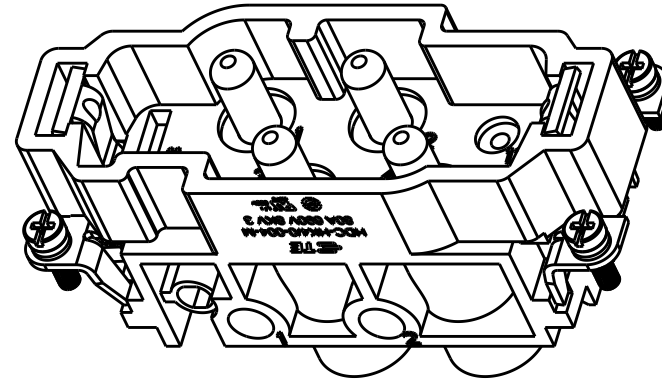
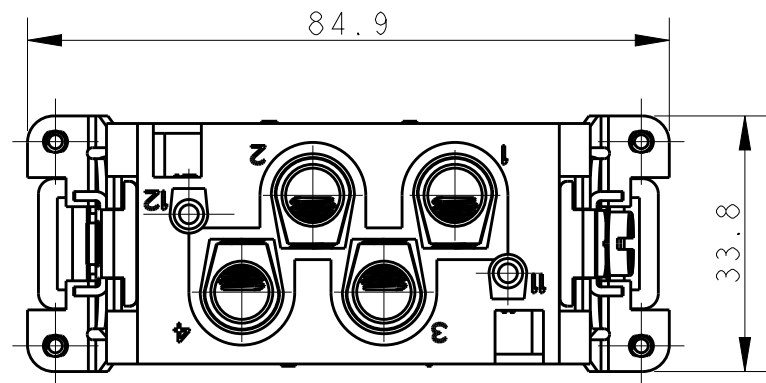


THIS DRAWING IS UNPUBLISHED. RELEASED FOR PUBLICATION 20
© COPYRIGHT 20 BY - ALL RIGHTS RESERVED.

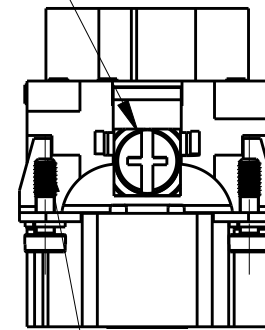
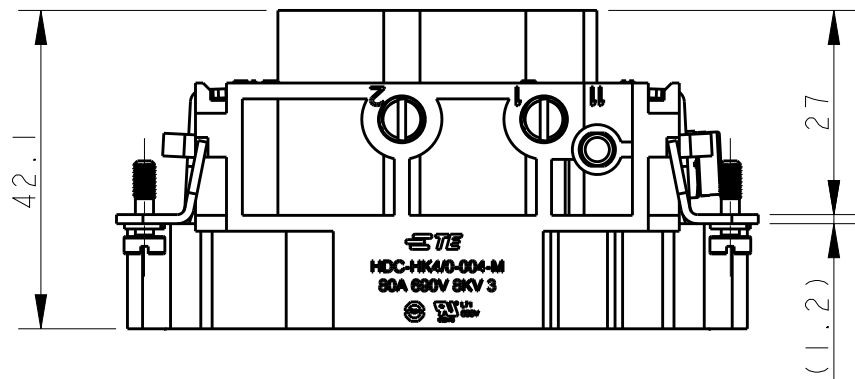
REVISIONS

P	LTR	DESCRIPTION	DATE	DWN	APVD
A		INITIAL RELEASE	14APR2015	DL	CW
B		ECR-15-018481	19FEB2016	DL	CW
BI		ECR-17-002385	18FEB2017	QY	CW



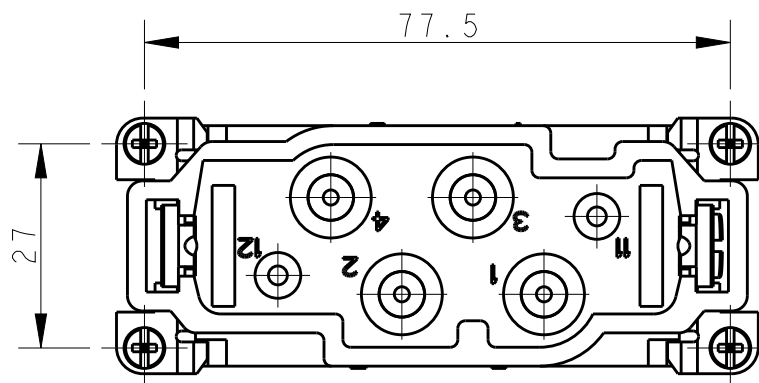
NOTES:
 1. TECHNICAL CHARACTERISTICS:
 INSULATION MATERIAL: PC
 RATED VOLTAGE: 690 V
 RATED CURRENT: 80 A
 INSULATION RESISTANCE: $\geq 400M\Omega$
 RATED IMPULSE VOLTAGE: 8 KV
 POLLUTION DEGREE: 3
 FLAMMABILITY: UL94V-0
 MATING CYCLES: 500
 WIRE RANGE: POWER: 1.5-16 mm² (16-5 AWG)
 CONTACT FINISH: SILVER PLATED
 CONTACT TYPE: SCREW CONTACT

M5 SCREW, RECOMMENDED
 TIGHTENING TORQUE 2.0Nm
 M5螺丝, 推荐锁紧力矩2.0Nm

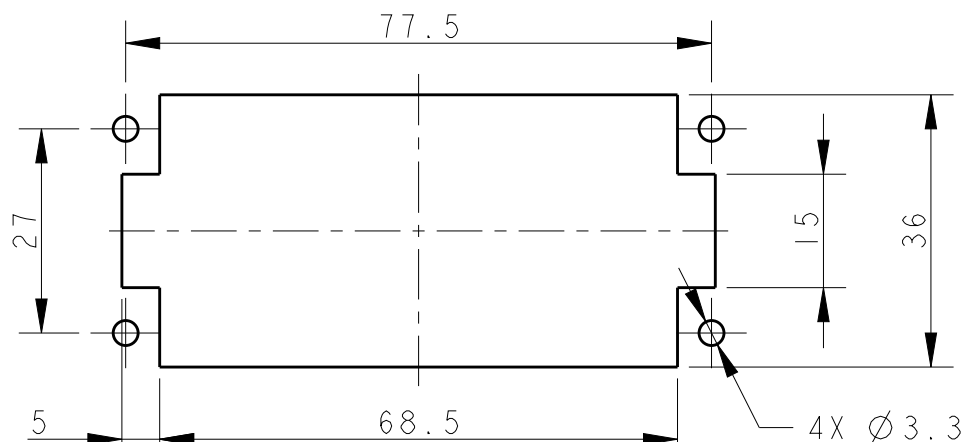


注释:
 1. 技术参数:
 绝缘材料: PC
 额定电压: 690 V
 额定电流: 80 A
 绝缘电阻: $\geq 400M\Omega$
 额定脉冲电压: 8 KV
 污染等级: 3
 阻燃等级: UL94V-0
 插拔次数: 500次
 接线范围: 1.5-16 mm² (16-5 AWG)
 端子表面处理: 镀银
 接线类型: 螺丝压接


4X M3 SCREW, RECOMMENDED
 TIGHTENING TORQUE 0.5Nm
 4X M3螺丝, 推荐扭力矩为 0.5Nm



TYPE-1: T2100042101-000 TE LOGO
 类型-1: T2100042101-000 TE LOGO

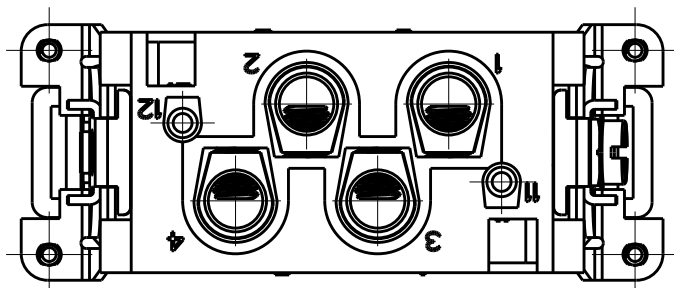


PANEL CUT OUT FOR INSERTS FOR USING
 WITHOUT HOODS/HOUSINGS
 不使用防护外壳时芯件的安装开孔图

THIS DRAWING IS A CONTROLLED DOCUMENT.		DWN DAVID LI 14APR2015	 TE Connectivity	
DIMENSIONS: mm		CHK CHRIS WANG 14APR2015		
TOLERANCES UNLESS OTHERWISE SPECIFIED:		APVD XU XIANG 14APR2015	NAME	
0 PLC ±-		PRODUCT SPEC	HK4/0-004-M	
1 PLC ±-		108-137127	SIZE	
2 PLC ±-		APPLICATION SPEC	A3	
3 PLC ±-		114-137127	CAGE CODE	DRAWING NO
4 PLC ±-		WEIGHT	-	©-T2100042101000
ANGLES ±-		CUSTOMER DRAWING	SCALE	1:1
FINISH			SHEET	1 OF 2
-			RESTRICTED TO	-
-			REV	BI

REVISIONS

P	LTR	DESCRIPTION	DATE	DWN	APVD
-		SEE SHEET 1	-	-	-

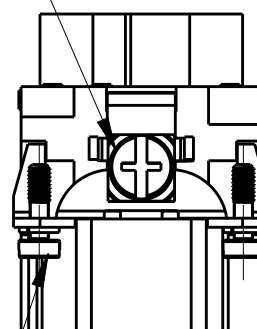
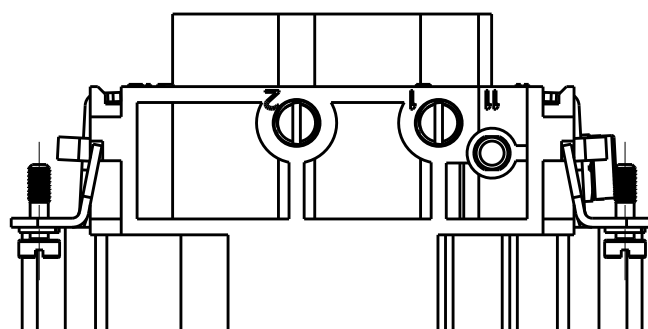


ALL DIMENSIONS ARE SAME AS TYPE 1,
EXCEPT THOSE DEFINED IN THIS TYPE.
除了在本类型中定义的尺寸外, 其它尺寸同类型 |

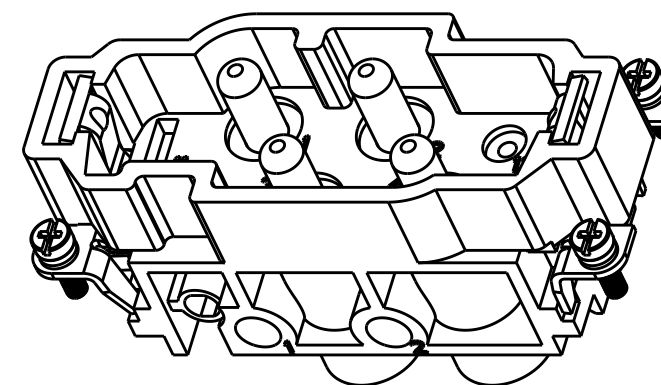
NOTES:
SEE SHEET 1

注释:
见页 |

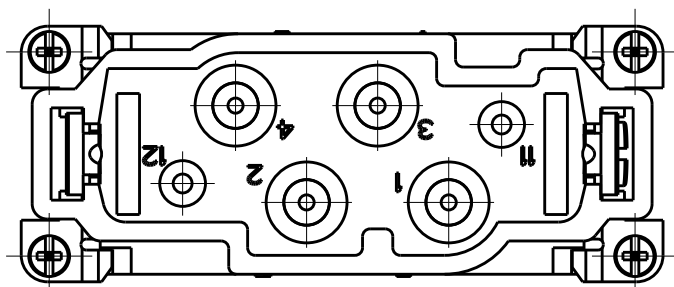
M5 SCREW, RECOMMENDED
TIGHTENING TORQUE 2.0Nm
M5螺丝, 推荐锁紧力矩 2.0Nm



4X M3 SCREW, RECOMMENDED
TIGHTENING TORQUE 0.5Nm
4X M3螺丝, 推荐扭力矩为 0.5Nm



TYPE-2: T2100042101-001 STAINLESS STEEL SCREW, NO LOGO
类型-2: T2100042101-001 不锈钢螺丝, 无LOGO



T2100042101-001	HK4/0-004-M	HK4/0-004 MALE INSERT, STAINLESS STEEL SCREW, NO LOGO HK4/0-004公插, 不锈钢螺丝, 无LOGO	TYPE-2 类型-2
T2100042101-000	HK4/0-004-M	HK4/0-004 MALE INSERT HK4/0-004公插	TYPE-1 类型-1
PART NUMBER 料号	PART DESCRIPTION 描述		TYPE 类型

THIS DRAWING IS A CONTROLLED DOCUMENT.		DWN 14APR2015 DAVID LI			
DIMENSIONS: mm		CHK 14APR2015 CHRIS WANG			NAME
TOLERANCES UNLESS OTHERWISE SPECIFIED:		APVD 14APR2015 XU XIANG			HK4/0-004-M
0 PLC ±- 1 PLC ±- 2 PLC ±- 3 PLC ±- 4 PLC ±- ANGLES ±-		PRODUCT SPEC 108-137127			SIZE CAGE CODE DRAWING NO RESTRICTED TO
MATERIAL	FINISH	APPLICATION SPEC 114-137127	WEIGHT	A3 - ©T2100042101000 -	
		CUSTOMER DRAWING	SCALE 1:1	SHEET 2 OF 2 REV B1	

X-ON Electronics

Largest Supplier of Electrical and Electronic Components

Click to view similar products for [Heavy Duty Power Connectors](#) category:

Click to view products by [TE Connectivity](#) manufacturer:

Other Similar products are found below :

[1424439](#) [1424438](#) [09330062652](#) [2-8675P1](#) [605601-1](#) [6340G1](#) [6341G1](#) [6360G1](#) [6373G1](#) [6374g2](#) [6396G1](#) [647757-1](#) [66394-4](#) [6643411-1](#)
[6646058-2](#) [6646137-1](#) [6646138-1](#) [6646348-1](#) [6646479-1](#) [6646608-1](#) [6646786-1](#) [6646940-1](#) [6651091-1](#) [6651525-1](#) [6651529-1](#) [6651778-1](#)
[6651788-1](#) [696465-1](#) [696475-1](#) [73000005059](#) [73000005349](#) [73000005642](#) [73080255059](#) [73080965046](#) [765-15-0080A](#) [765-16-0080B](#)
[789.700-44](#) [789.700-54](#) [80-1010](#) [80-9](#) [827381-1](#) [829992-1](#) [902-77-02113](#) [PL00U-301-10D10](#) [PM103MOOLOO](#) [PM16S1620S32-50](#)
[PM212MOOLOO](#) [PM309FOOLOO](#) [PM324FOOLCH](#) [PMHPAF11S03](#)