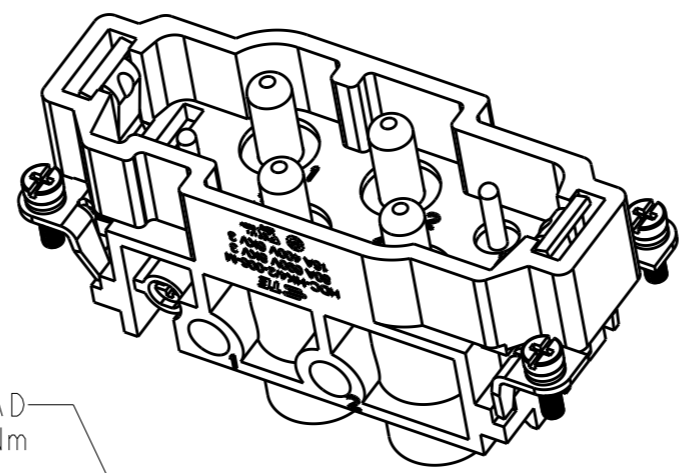
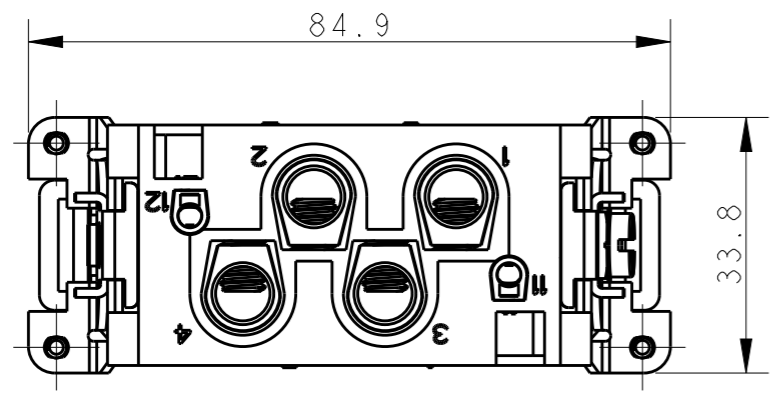


THIS DRAWING IS UNPUBLISHED. RELEASED FOR PUBLICATION 20
 © COPYRIGHT 20 BY - ALL RIGHTS RESERVED.

REVISIONS					
P	LTR	DESCRIPTION	DATE	DWN	APVD
A		INITIAL RELEASE	14APR2015	DL	CW
B		ECR-15-018481	19FEB2016	DL	CW

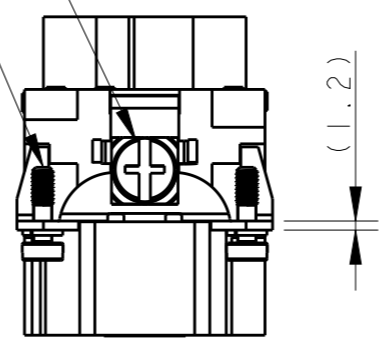
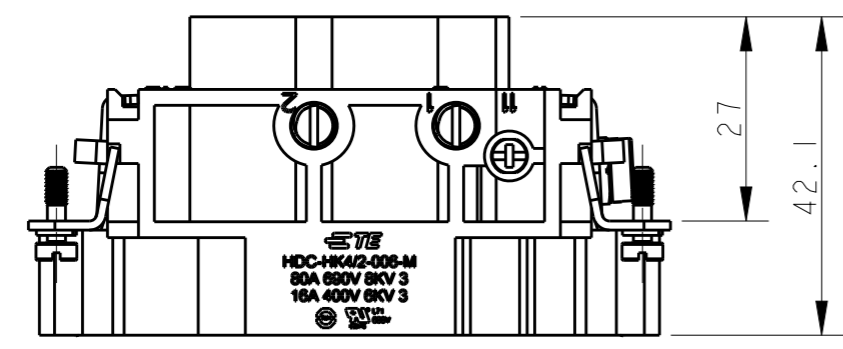


M5 THREAD
 RECOMMENDED TIGHTENING TORQUE 2.0Nm

4 X M3 THREAD
 RECOMMENDED TIGHTENING TORQUE 0.5Nm

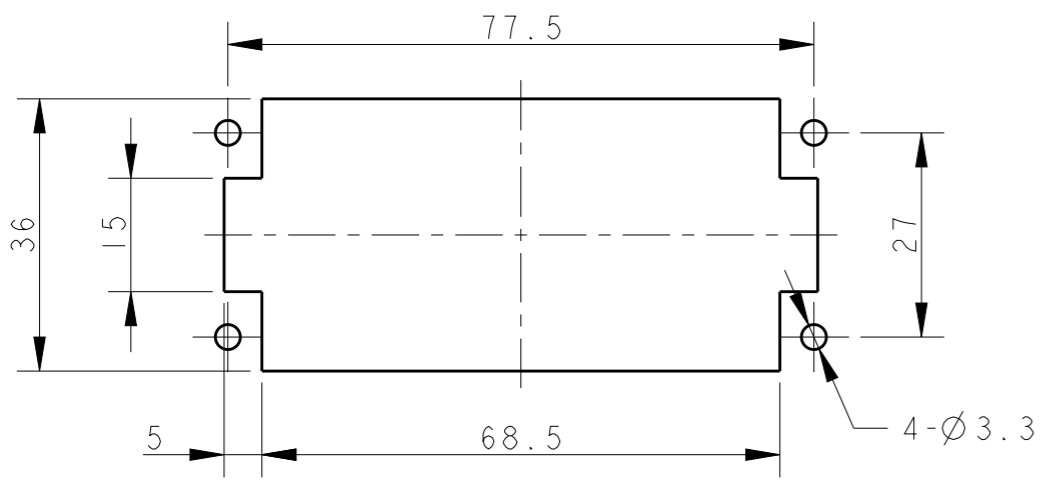
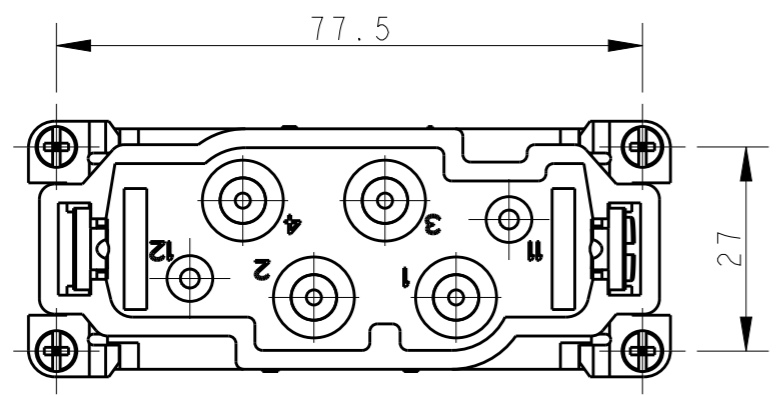
NOTES:

- TECHNICAL CHARACTERISTICS:
 INSULATION MATERIAL: PC
 RATED VOLTAGE: POWER: 690 V; SIGNAL: 400 V
 RATED CURRENT: POWER: 80 A; SIGNAL: 16 A
 INSULATION RESISTANCE: >=400MΩ
 RATED IMPULSE VOLTAGE: POWER: 8 KV; SIGNAL: 6 KV
 POLLUTION DEGREE: 3
 FLAMMABILITY: UL94V-0
 MATING CYCLES: 500
 OPERATION TEMPERATURE: -40-+125°C
 WIRE RANGE: POWER: 1.5-16 mm² (16-5 AWG)
 SIGNAL: 0.5-2.5 mm² (20-14 AWG)
 CONTACT FINISH: SILVER PLATED
 CONTACT TYPE: SCREW CONTACT




注释:

- 技术参数:
 绝缘材料: PC
 额定电压: 电源: 690V; 信号: 400V
 额定电流: 电源: 80A; 信号: 16A
 绝缘电阻: >=400MΩ
 额定脉冲电压: 电源: 8 KV; 信号: 6 KV
 污染等级: 3
 阻燃等级: UL94V-0
 插拔次数: 500次
 工作温度: -40-+125°C
 接线范围: 电源: 1.5-16 mm² (16-5 AWG)
 信号: 0.5-2.5 mm² (20-14 AWG)
 端子表面处理: 镀银
 接线类型: 螺丝压接



PANEL CUT OUT FOR INSERTS FOR USING WITHOUT HOODS/HOUSINGS

T2100062101-000	HK4/2-006-M HK4/2-006 公插
PART NUMBER 料号	PART DESCRIPTION 描述

THIS DRAWING IS A CONTROLLED DOCUMENT.		DWN DAVID LI 14APR2015	 TE Connectivity	
DIMENSIONS: mm		CHK CHRIS WANG 14APR2015		
TOLERANCES UNLESS OTHERWISE SPECIFIED:		APVD XU XIANG 14APR2015	NAME	
0 PLC ±-		PRODUCT SPEC 108-137128	HK4/2-006-M	
1 PLC ±-		APPLICATION SPEC 114-137128	SIZE A3	CAGE CODE -
2 PLC ±-		WEIGHT -	DRAWING NO. ©T2100062101000	RESTRICTED TO -
3 PLC ±-		CUSTOMER DRAWING	SCALE 1:1	SHEET 1 OF 1
4 PLC ±-				REV B
ANGLES ±-				
FINISH -				

X-ON Electronics

Largest Supplier of Electrical and Electronic Components

Click to view similar products for [Heavy Duty Power Connectors](#) category:

Click to view products by [TE Connectivity](#) manufacturer:

Other Similar products are found below :

[1424439](#) [1424438](#) [09330062652](#) [2-8675P1](#) [605601-1](#) [6340G1](#) [6341G1](#) [6360G1](#) [6373G1](#) [6374g2](#) [6396G1](#) [647757-1](#) [66394-4](#) [6643411-1](#)
[6646058-2](#) [6646137-1](#) [6646138-1](#) [6646348-1](#) [6646479-1](#) [6646608-1](#) [6646786-1](#) [6646940-1](#) [6651091-1](#) [6651525-1](#) [6651529-1](#) [6651778-1](#)
[6651788-1](#) [696465-1](#) [696475-1](#) [73000005059](#) [73000005349](#) [73000005642](#) [73080255059](#) [73080965046](#) [765-15-0080A](#) [765-16-0080B](#)
[789.700-44](#) [789.700-54](#) [80-1010](#) [80-9](#) [827381-1](#) [829992-1](#) [902-77-02113](#) [PL00U-301-10D10](#) [PM103MOOLOO](#) [PM16S1620S32-50](#)
[PM212MOOLOO](#) [PM309FOOLOO](#) [PM324FOOLCH](#) [PMHPAF11S03](#)