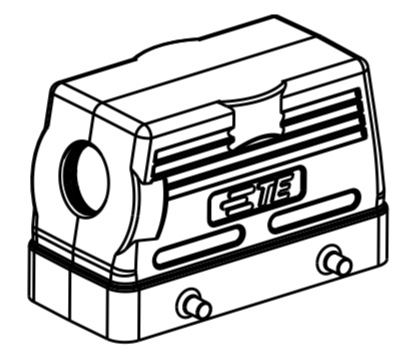
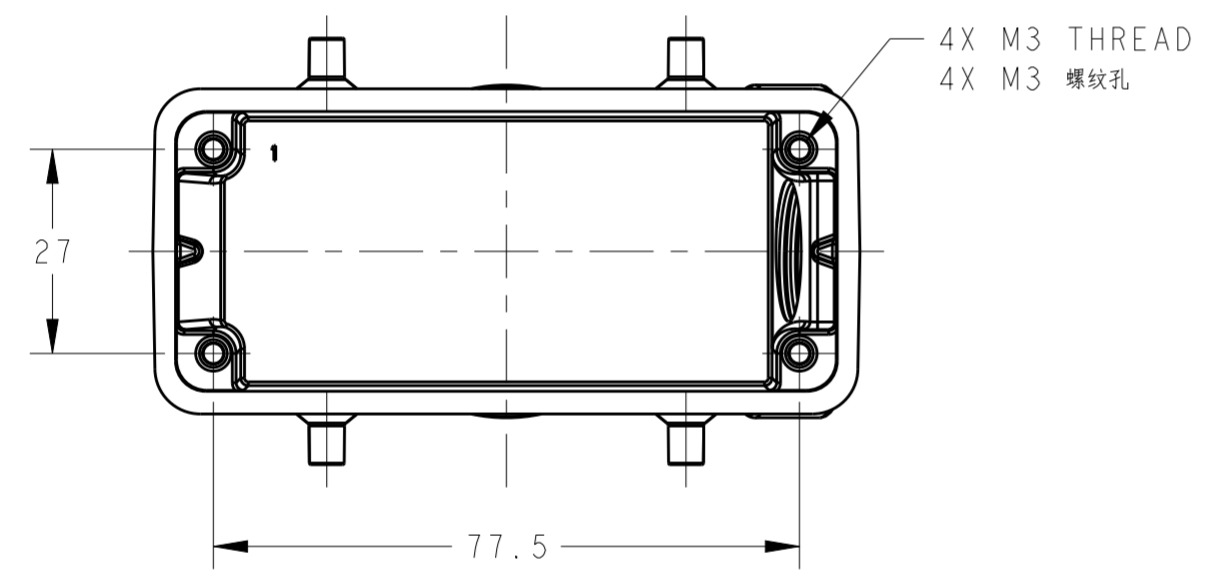
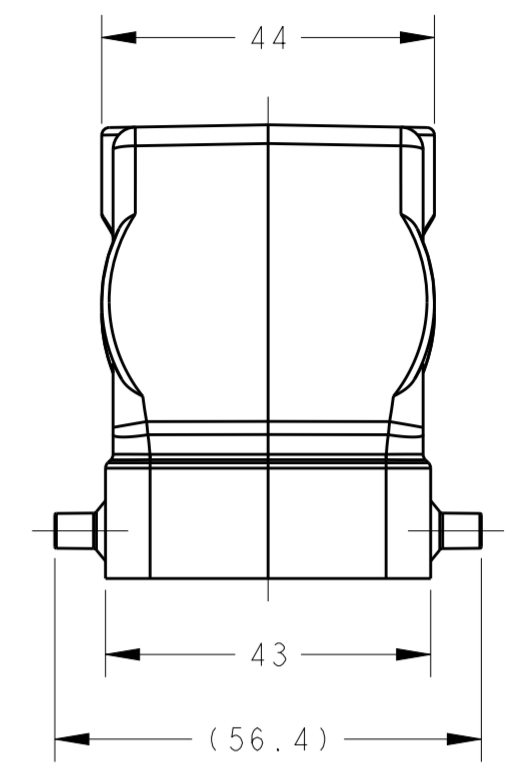
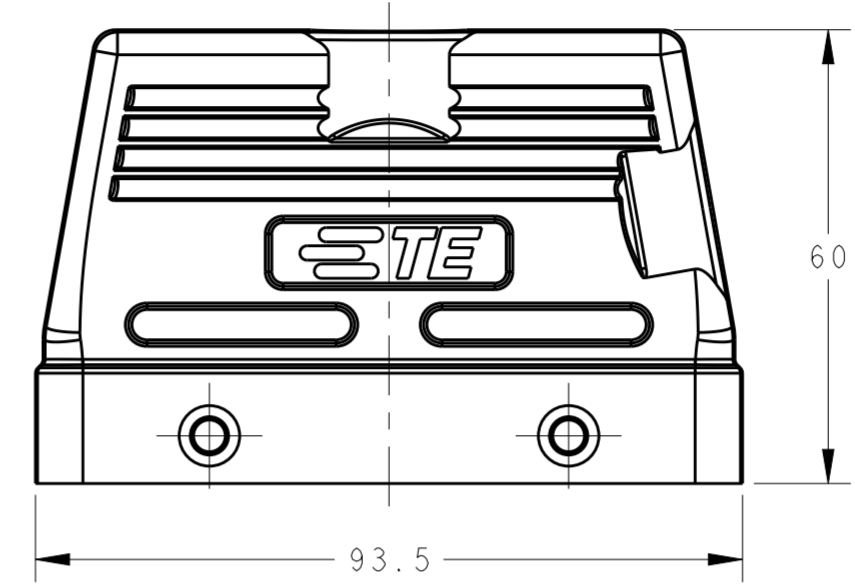
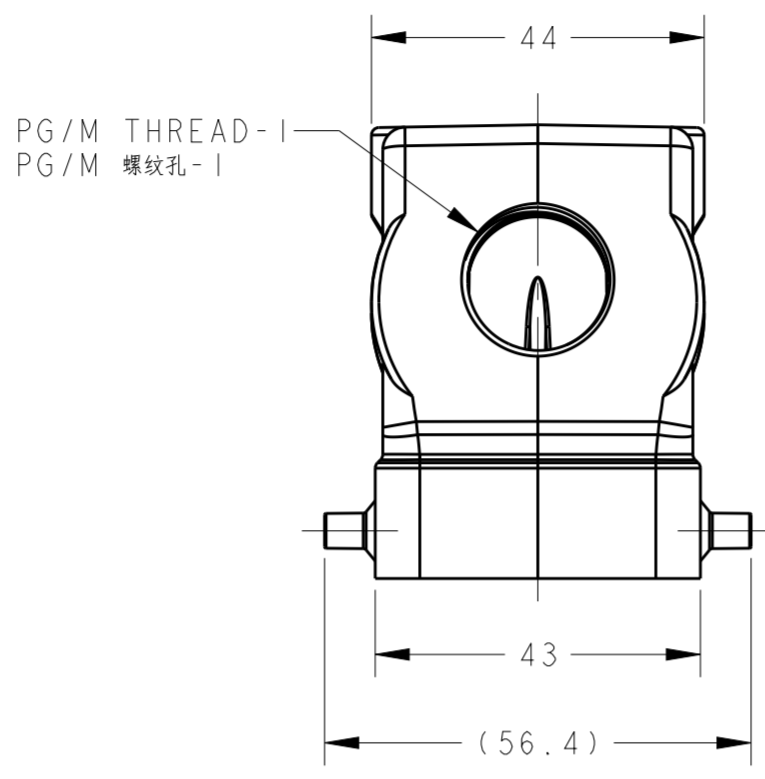
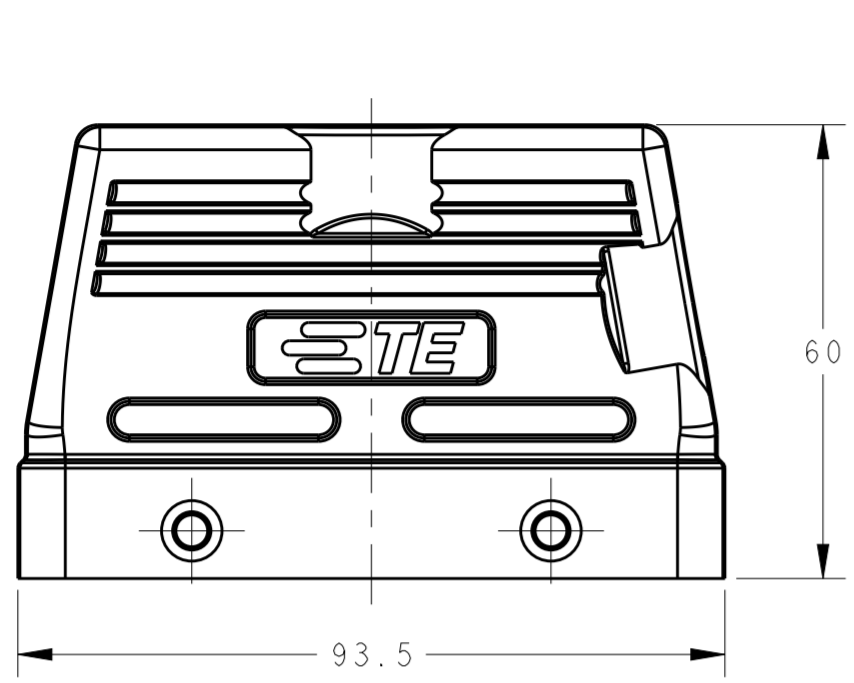
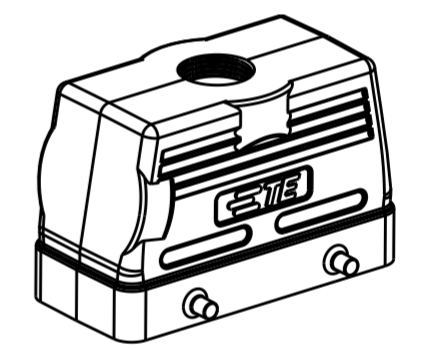
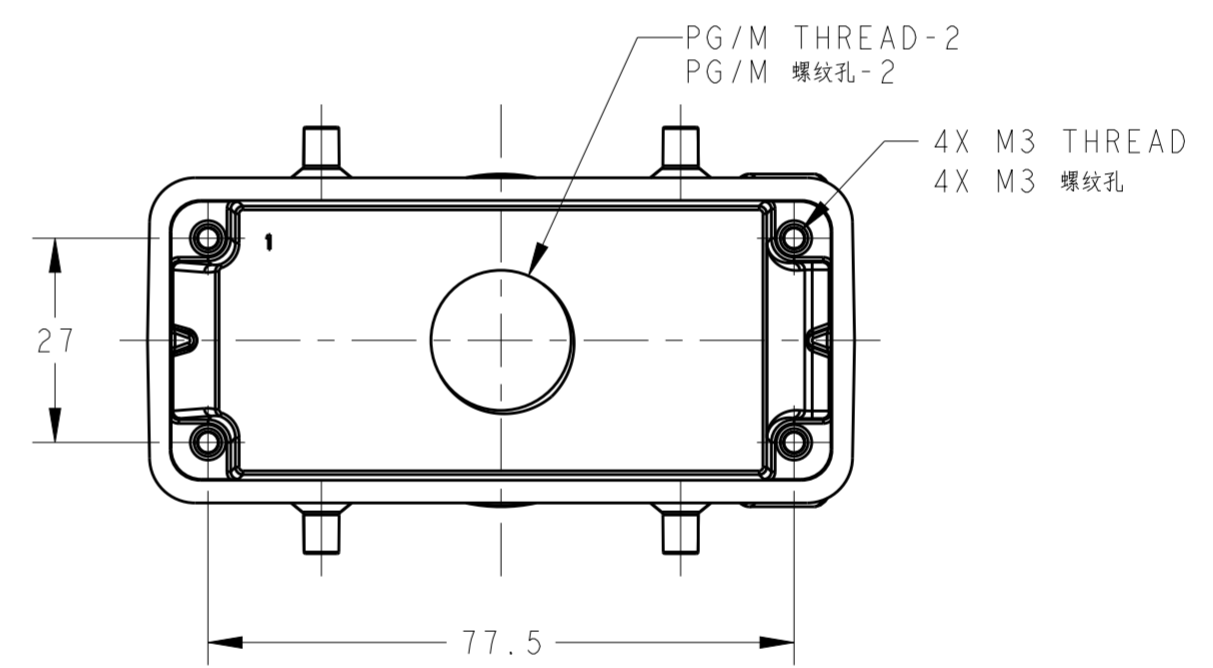


THIS DRAWING IS UNPUBLISHED. RELEASED FOR PUBLICATION 20
 © COPYRIGHT 20 BY - ALL RIGHTS RESERVED.

| REVISIONS | | | | |
|-----------|-----|---------------|-----------|-------|
| P | LTR | DESCRIPTION | DATE | APVD |
| A | | INITIAL | 25MAY2015 | DW CW |
| A1 | | ECR-16-013641 | 24SEP2016 | CH CW |



SCALE 1:2



SCALE 1:2

TYPE 1: LOW CONSTRUCTION, SIDE ENTRY
 类型1: 低结构, 侧出

TYPE 2: LOW CONSTRUCTION, TOP ENTRY
 类型2: 低结构, 顶出

NOTES:
 1. TECHNICAL CHARACTERISTICS:
 HOOD MATERIAL: DIE CAST ALUMINIUM ALLOY
 SURFACE: POWDER COATED, GRAY
 DEGREE OF PROTECTION: IP65 (MATED)

注释:
 1. 技术参数:
 上壳材料: 铝合金
 表面处理: 灰色粉末涂层
 防护等级: IP65(配合)


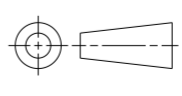
| | | | | |
|--|--|-----------------------------|---|--|
| THIS DRAWING IS A CONTROLLED DOCUMENT. | | DWN DAVID.WANG 25MAY2015 | STE TE Connectivity | |
| | | CHK CHRIS.WANG 25MAY2015 | | |
| | | APVD XIANG.XU 25MAY2015 | NAME H16B-TS/TG-M/PG | |
| DIMENSIONS: mm | | PRODUCT SPEC 108-137013 | SIZE CAGE CODE DRAWING NO RESTRICTED TO | |
| TOLERANCES UNLESS OTHERWISE SPECIFIED: | | APPLICATION SPEC 114-137013 | A200779 C-T12X01601XX000 | |
| MATERIAL | | WEIGHT | SCALE 1:1 SHEET 1 OF 2 REV A1 | |
| | | Customer Drawing | | |

THIS DRAWING IS UNPUBLISHED. RELEASED FOR PUBLICATION 20
 © COPYRIGHT 20 BY - ALL RIGHTS RESERVED.

| REVISIONS | | | | |
|-----------|-----|-------------|------|------|
| P | LTR | DESCRIPTION | DATE | APVD |
| - | - | SEE SHEET 1 | - | - |
| | | | | |
| | | | | |

NOTES:
SEE SHEET 1.

| | | | | | |
|---------------------------------|--------------------------------------|---|-----------------------------|-----------------------------|--------|
| T1210160116-000 | H16B-TS-PG16 | H16B HOOD, SIDE ENTRY PG16, 4 EAR, LOW CONSTRUCTION, POWDER COATED, GRAY H16B上壳,侧出PG16,4耳,低结构,灰色粉末喷涂 | PG16 | - | TYPE 1 |
| T1210160120-000 | H16B-TS-M20 | H16B HOOD, SIDE ENTRY M20, 4 EAR, LOW CONSTRUCTION, POWDER COATED, GRAY H16B上壳,侧出M20,4耳,低结构,灰色粉末喷涂 | M20 | - | |
| T1210160121-000 | H16B-TS-PG21 | H16B HOOD, SIDE ENTRY PG21, 4 EAR, LOW CONSTRUCTION, POWDER COATED, GRAY H16B上壳,侧出PG21,4耳,低结构,灰色粉末喷涂 | PG21 | - | |
| T1210160125-000 | H16B-TS-M25 | H16B HOOD, SIDE ENTRY M25, 4 EAR, LOW CONSTRUCTION, POWDER COATED, GRAY H16B上壳,侧出M25,4耳,低结构,灰色粉末喷涂 | M25 | - | |
| T1210160132-000 | H16B-TS-M32 | H16B HOOD, SIDE ENTRY M32, 4 EAR, LOW CONSTRUCTION, POWDER COATED, GRAY H16B上壳,侧出M32,4耳,低结构,灰色粉末喷涂 | M32 | - | |
| T1220160129-000 | H16B-TG-PG29 | H16B HOOD, TOP ENTRY PG29, 4 EAR, LOW CONSTRUCTION, POWDER COATED, GRAY H16B上壳,顶出PG29,4耳,低结构,灰色粉末喷涂 | - | PG29 | TYPE 2 |
| T1220160116-000 | H16B-TG-PG16 | H16B HOOD, TOP ENTRY PG16, 4 EAR, LOW CONSTRUCTION, POWDER COATED, GRAY H16B上壳,顶出PG16,4耳,低结构,灰色粉末喷涂 | - | PG16 | |
| T1220160120-000 | H16B-TG-M20 | H16B HOOD, TOP ENTRY M20, 4 EAR, LOW CONSTRUCTION, POWDER COATED, GRAY H16B上壳,顶出M20,4耳,低结构,灰色粉末喷涂 | - | M20 | |
| T1220160121-000 | H16B-TG-PG21 | H16B HOOD, TOP ENTRY PG21, 4 EAR, LOW CONSTRUCTION, POWDER COATED, GRAY H16B上壳,顶出PG21,4耳,低结构,灰色粉末喷涂 | - | PG21 | |
| T1220160125-000 | H16B-TG-M25 | H16B HOOD, TOP ENTRY M25, 4 EAR, LOW CONSTRUCTION, POWDER COATED, GRAY H16B上壳,顶出M25,4耳,低结构,灰色粉末喷涂 | - | M25 | |
| T1220160132-000 | H16B-TG-M32 | H16B HOOD, TOP ENTRY M32, 4 EAR, LOW CONSTRUCTION, POWDER COATED, GRAY H16B上壳,顶出M32,4耳,低结构,灰色粉末喷涂 | - | M32 | |
| T1220160136-000 | H16B-TG-M36 | H16B HOOD, TOP ENTRY M36, 4 EAR, LOW CONSTRUCTION, POWDER COATED, GRAY H16B上壳,顶出M36,4耳,低结构,灰色粉末喷涂 | - | M36 | |
| 成品料号 ASSEMBLY PART NUMBER | 成品描述 ASSEMBLY PART DESCRIPTION | | PG/M THREAD-1 PG/M 螺纹孔-1 | PG/M THREAD-2 PG/M 螺纹孔-2 | TYPE |

| | | | | |
|---|--|---|---|--------------------|
| THIS DRAWING IS A CONTROLLED DOCUMENT. | | DWN DAVID.WANG 25MAY2015 |  TE Connectivity | |
| | | CHK CHRIS.WANG 25MAY2015 | | |
| | | APVD XIANG.XU 25MAY2015 | NAME H16B-TS/TG-M/PG | |
| DIMENSIONS: mm | | TOLERANCES UNLESS OTHERWISE SPECIFIED: | PRODUCT SPEC 108-137013 | |
|  | | 0 PLC ± 1 PLC ± 2 PLC ± 3 PLC ± 4 PLC ± ANGLES ± FINISH | APPLICATION SPEC 114-137013 | |
| MATERIAL | | | WEIGHT | |
| | | | Customer Drawing | |
| | | | SIZE A2 | CAGE CODE 00779 |
| | | | DRAWING NO T12X01601XX000 | |
| | | | RESTRICTED TO | |
| | | | SCALE 1:1 | SHEET 2 OF 2 |
| | | | REV A1 | |

X-ON Electronics

Largest Supplier of Electrical and Electronic Components

Click to view similar products for [Heavy Duty Power Connectors](#) category:

Click to view products by [TE Connectivity](#) manufacturer:

Other Similar products are found below :

[1424439](#) [1424438](#) [09330062652](#) [2-8675P1](#) [605601-1](#) [6340G1](#) [6341G1](#) [6360G1](#) [6373G1](#) [6374g2](#) [6396G1](#) [647757-1](#) [66394-4](#) [6643411-1](#)
[6646058-2](#) [6646137-1](#) [6646138-1](#) [6646348-1](#) [6646479-1](#) [6646608-1](#) [6646786-1](#) [6646940-1](#) [6651091-1](#) [6651525-1](#) [6651529-1](#) [6651778-1](#)
[6651788-1](#) [696465-1](#) [696475-1](#) [73000005059](#) [73000005349](#) [73000005642](#) [73080255059](#) [73080965046](#) [765-15-0080A](#) [765-16-0080B](#)
[789.700-44](#) [789.700-54](#) [80-1010](#) [80-9](#) [827381-1](#) [829992-1](#) [902-77-02113](#) [PL00U-301-10D10](#) [PM103MOOLOO](#) [PM16S1620S32-50](#)
[PM212MOOLOO](#) [PM309FOOLOO](#) [PM324FOOLCH](#) [PMHPAF11S03](#)