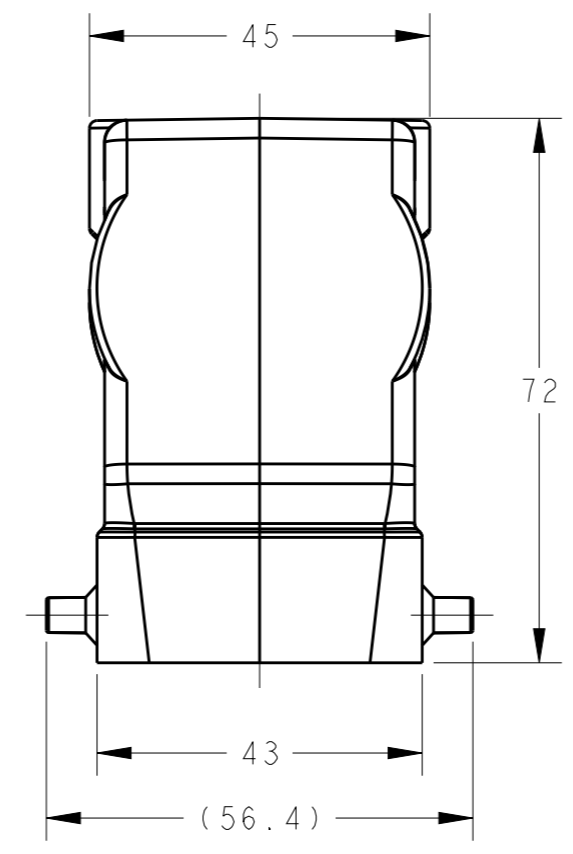
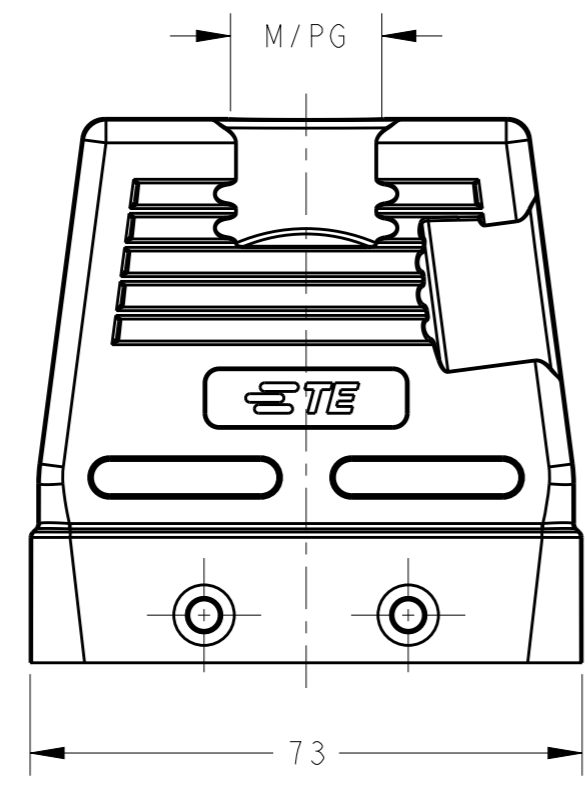


THIS DRAWING IS UNPUBLISHED. RELEASED FOR PUBLICATION 20
 © COPYRIGHT 20 BY - ALL RIGHTS RESERVED.

| REVISIONS | | | | | |
|-----------|-----|-------------|-----------|-----|------|
| P | LTR | DESCRIPTION | DATE | DWN | APVD |
| | A | INITIAL | 11JUN2015 | DW | CW |
| | | | | | |
| | | | | | |

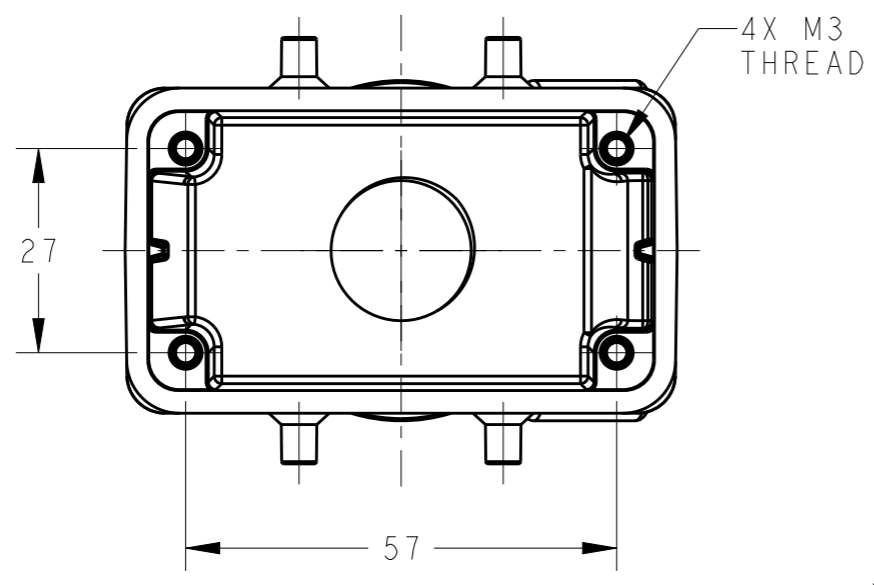


SCALE 1:2



NOTES:
 1. TECHNICAL CHARACTERISTICS:
 HOOD MATERIAL: DIE CAST ALUMINIUM ALLOY
 SURFACE: POWDER COATED, GREY
 OPERATION TEMPERATURE: -40-+125°C
 DEGREE OF PROTECTION: IP65 (MATED)

注释:
 1. 技术参数:
 上壳材料: 铝合金
 表面处理: 粉末涂层, 灰色
 工作温度: -40-+125°C
 防护等级: IP65(配合)



| T1240100116-000 | H10B-TGH-PG16 | HIGH CONSTRUCTION | PG16 |
|-----------------|---------------|-------------------|-------------|
| T1240100120-000 | H10B-TGH-M20 | | M20 |
| T1240100121-000 | H10B-TGH-PG21 | | PG21 |
| T1240100125-000 | H10B-TGH-M25 | | M25 |
| T1240100129-000 | H10B-TGH-PG29 | | PG29 |
| T1240100130-000 | H10B-TGH-M30 | | M30 |
| T1240100132-000 | H10B-TGH-M32 | | M32 |
| T1240100140-000 | H10B-TGH-M40 | | M40 |
| PART NUMBER | DESCRIPTION | TYPE | THREAD M/PG |

| | | | | |
|---|--|--------------------------------|------------------------------|--------------------|
| THIS DRAWING IS A CONTROLLED DOCUMENT. | | DWN 11JUN2015 David Wang | TE Connectivity | |
| DIMENSIONS: mm | | CHK 11JUN2015 Chris Wang | | |
| TOLERANCES UNLESS OTHERWISE SPECIFIED: | | APVD 11JUN2015 Xiang Xu | NAME H10B-TGH-M/PG | |
| 0 PLC ±- 1 PLC ±- 2 PLC ±- 3 PLC ±- 4 PLC ±- ANGLES ±- | | PRODUCT SPEC 108-137013 | RESTRICTED TO | |
| MATERIAL | | APPLICATION SPEC 114-137013 | SIZE A3 | CAGE CODE 00779 |
| FINISH | | WEIGHT | DRAWING NO T12401001XX000 | |
| - | | Customer Drawing | SCALE 1:1 SHEET 1 OF 1 REV A | |

X-ON Electronics

Largest Supplier of Electrical and Electronic Components

Click to view similar products for [Heavy Duty Power Connectors](#) category:

Click to view products by [TE Connectivity](#) manufacturer:

Other Similar products are found below :

[1424439](#) [1424438](#) [09330062652](#) [2-8675P1](#) [605601-1](#) [6340G1](#) [6341G1](#) [6360G1](#) [6373G1](#) [6374g2](#) [6396G1](#) [647757-1](#) [66394-4](#) [6643411-1](#)
[6646058-2](#) [6646137-1](#) [6646138-1](#) [6646348-1](#) [6646479-1](#) [6646608-1](#) [6646786-1](#) [6646940-1](#) [6651091-1](#) [6651525-1](#) [6651529-1](#) [6651778-1](#)
[6651788-1](#) [696465-1](#) [696475-1](#) [73000005059](#) [73000005349](#) [73000005642](#) [73080255059](#) [73080965046](#) [765-15-0080A](#) [765-16-0080B](#)
[789.700-44](#) [789.700-54](#) [80-1010](#) [80-9](#) [827381-1](#) [829992-1](#) [902-77-02113](#) [PL00U-301-10D10](#) [PM103MOOLOO](#) [PM16S1620S32-50](#)
[PM212MOOLOO](#) [PM309FOOLOO](#) [PM324FOOLCH](#) [PMHPAF11S03](#)