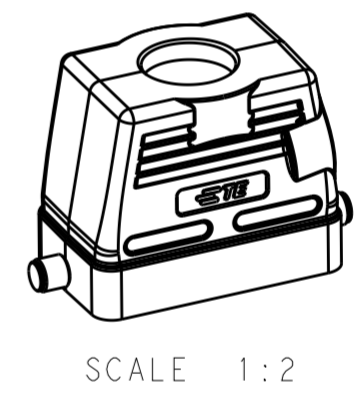
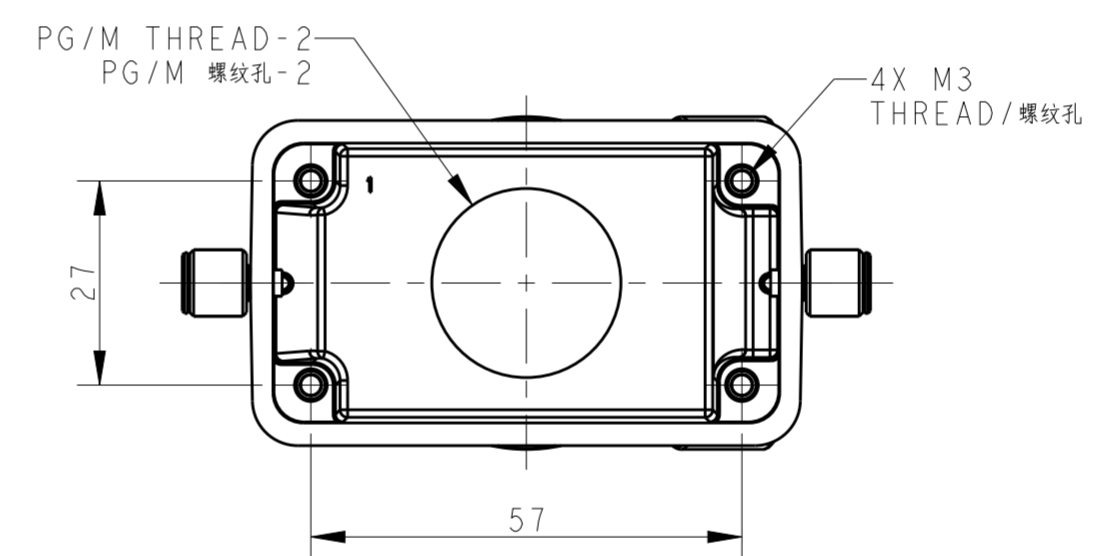
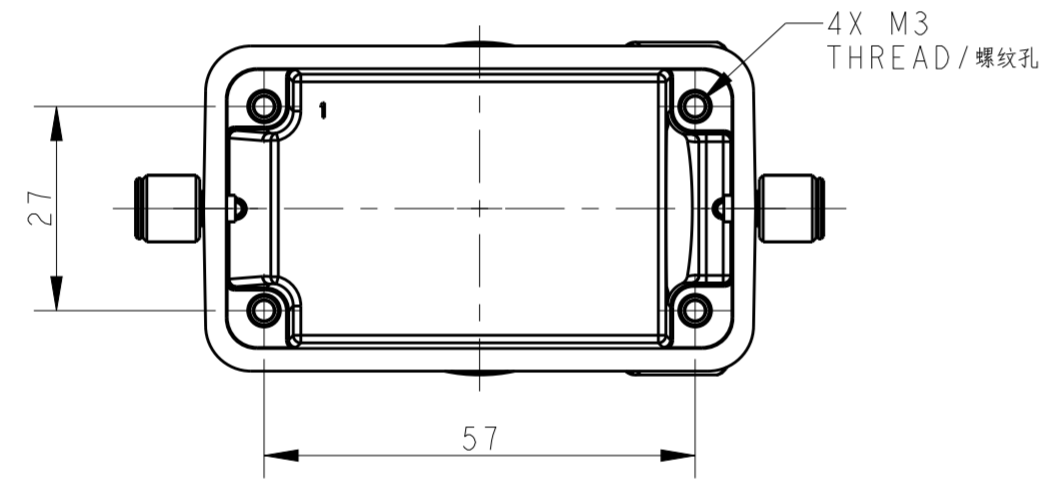
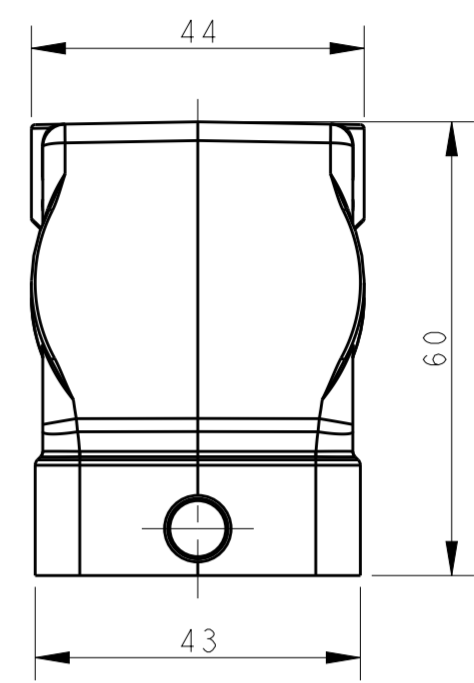
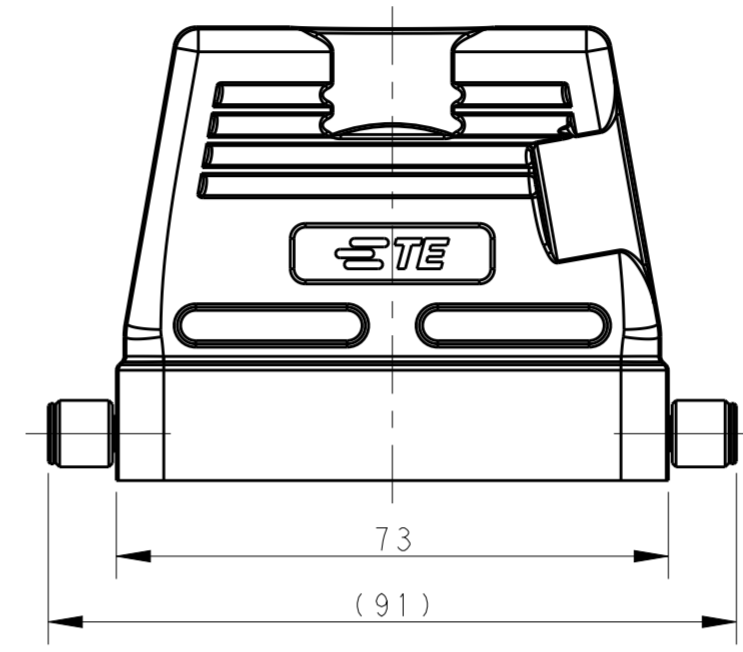
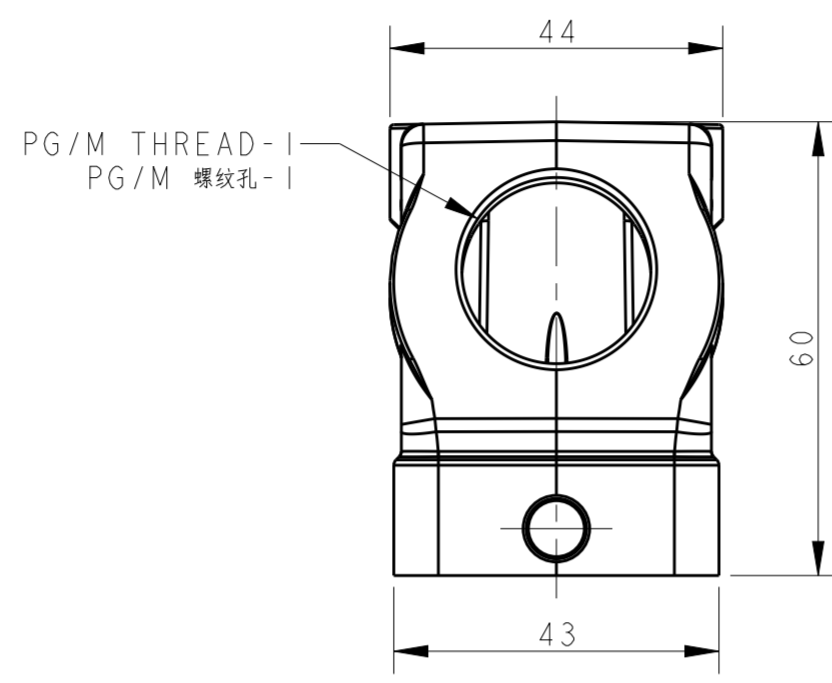
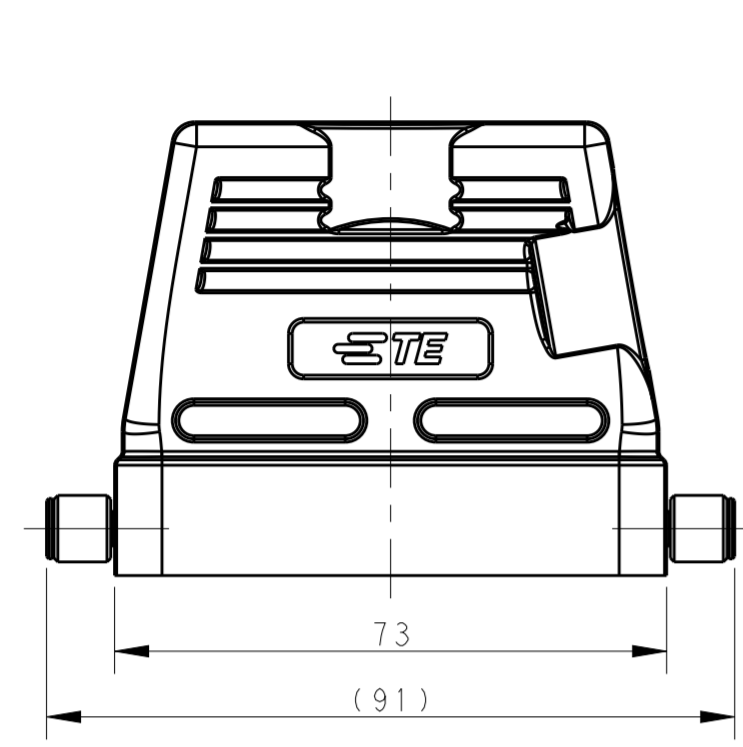


THIS DRAWING IS UNPUBLISHED. RELEASED FOR PUBLICATION 20  
 © COPYRIGHT 20 BY - ALL RIGHTS RESERVED.

REVISIONS				
P	LTR	DESCRIPTION	DATE	APVD
	A	INITIAL	04JUN2015	DW CW
	A1	ECR-16-004324	24MAR2016	CH CW
	A2	ECR-16-011800	17AUG2016	QY CW



TYPE-1: H10B HOOD, LOW CONSTRUCTION, SIDE ENTRY, 2 EAR  
 类型-1: H10B上壳, 低结构, 侧出, 2耳

TYPE-2: H10B HOOD, LOW CONSTRUCTION, TOP ENTRY, 2 EAR  
 类型-2: H10B上壳, 低结构, 顶出, 2耳



TYPE-5: H10B HOOD, LOW CONSTRUCTION, NO ENTRY, 2 EAR  
 OTHER SPEC REFER TO TYPE-1  
 类型-5: H10B上壳, 低结构, 无出线孔, 2耳  
 其它规格尺寸参照类型-1

NOTES:  
 1. TECHNICAL CHARACTERISTICS:  
 HOOD MATERIAL: DIE CAST ALUMINIUM ALLOY  
 SURFACE: POWDER COATED, GREY  
 DEGREE OF PROTECTION: IP65 (MATED)

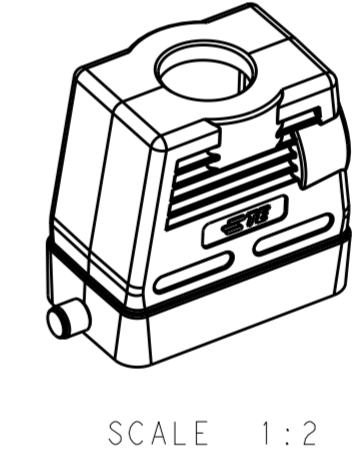
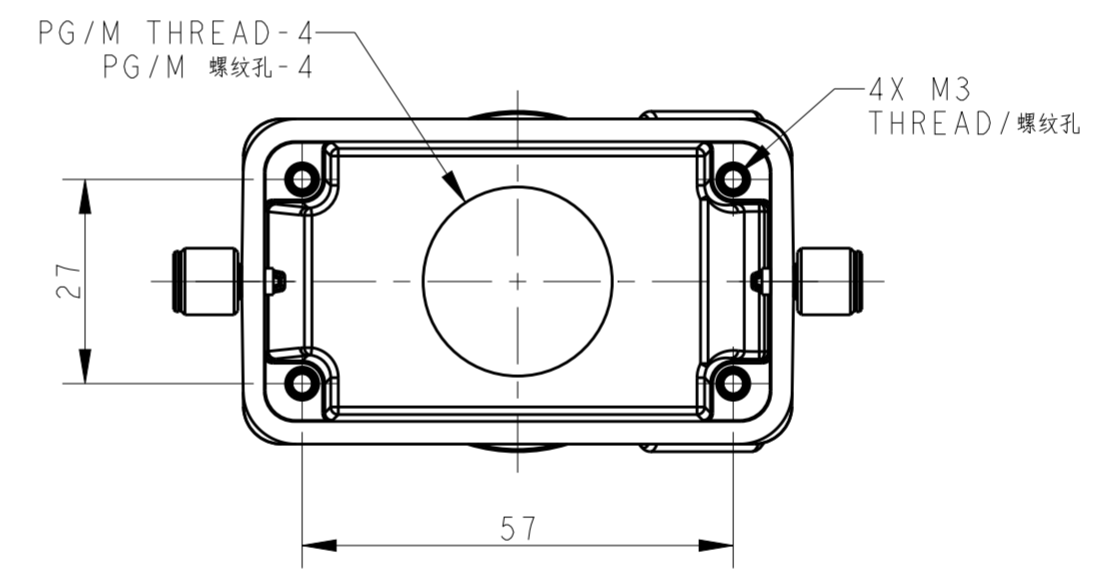
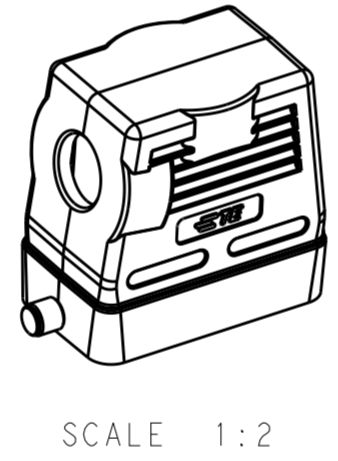
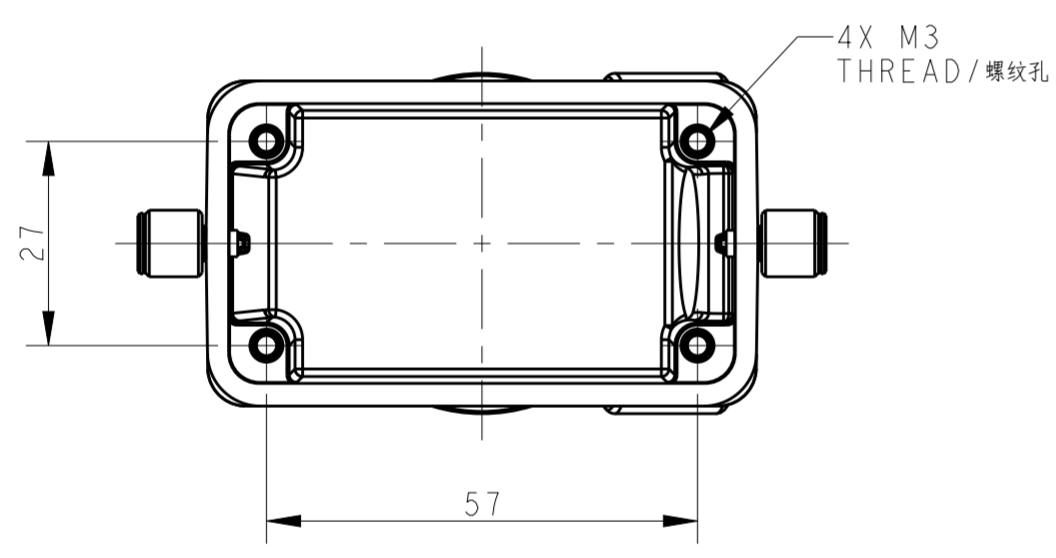
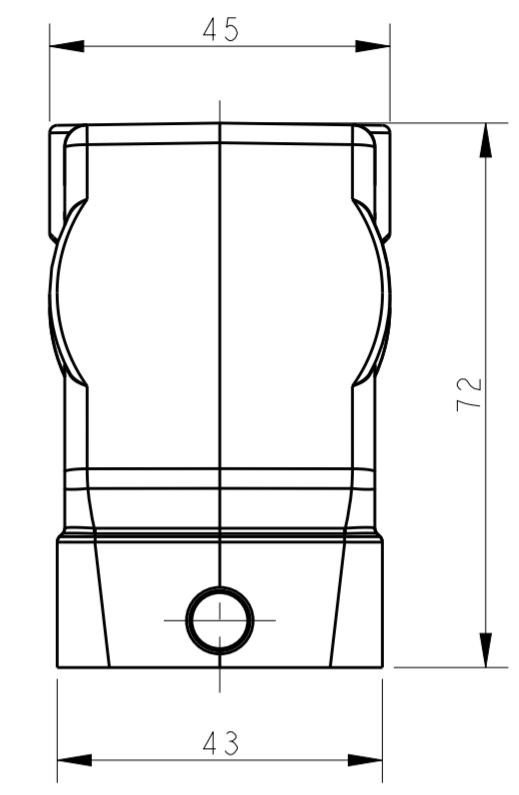
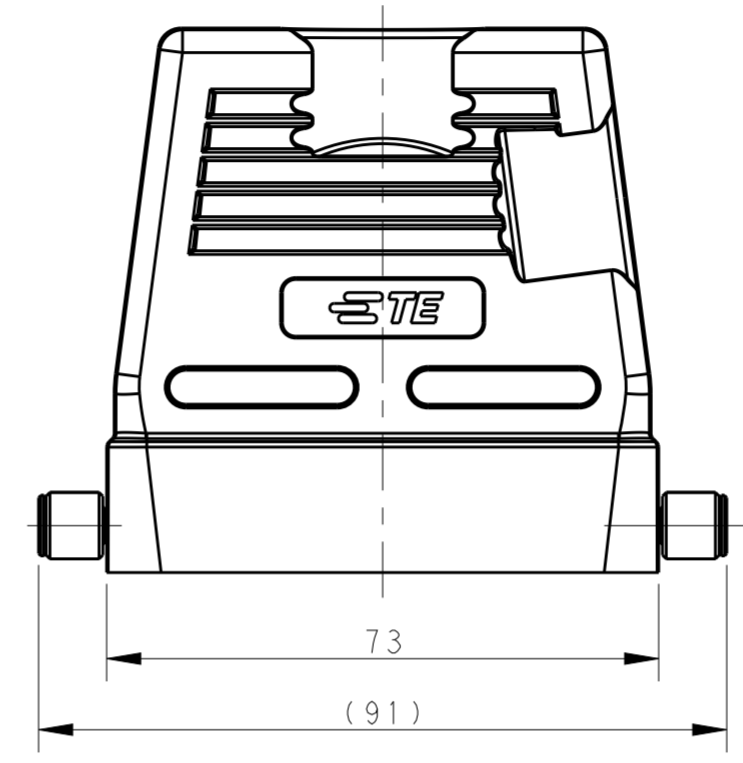
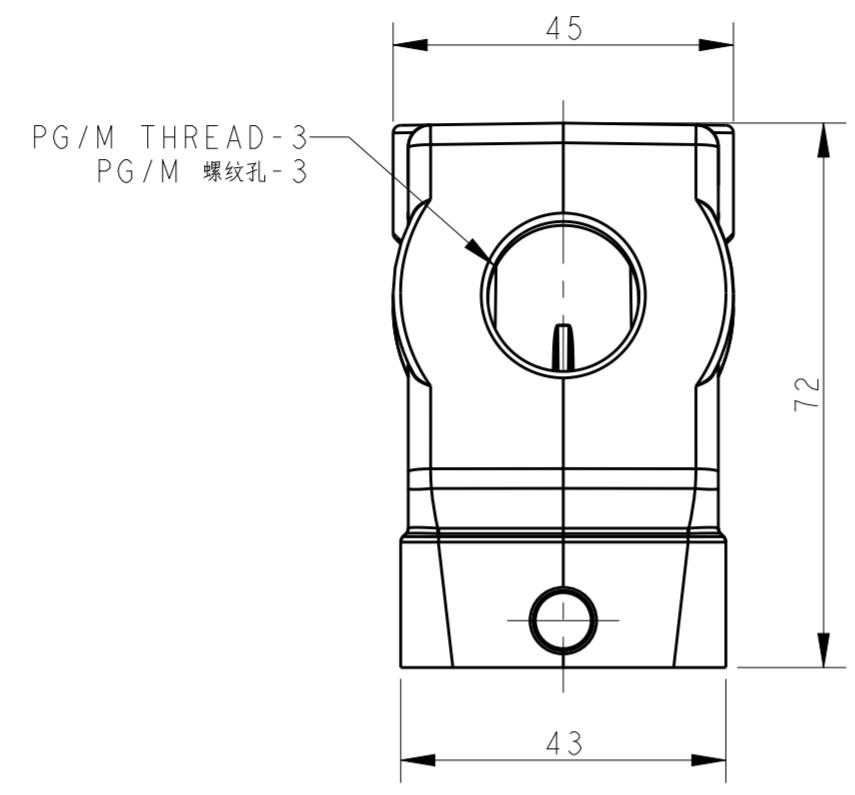
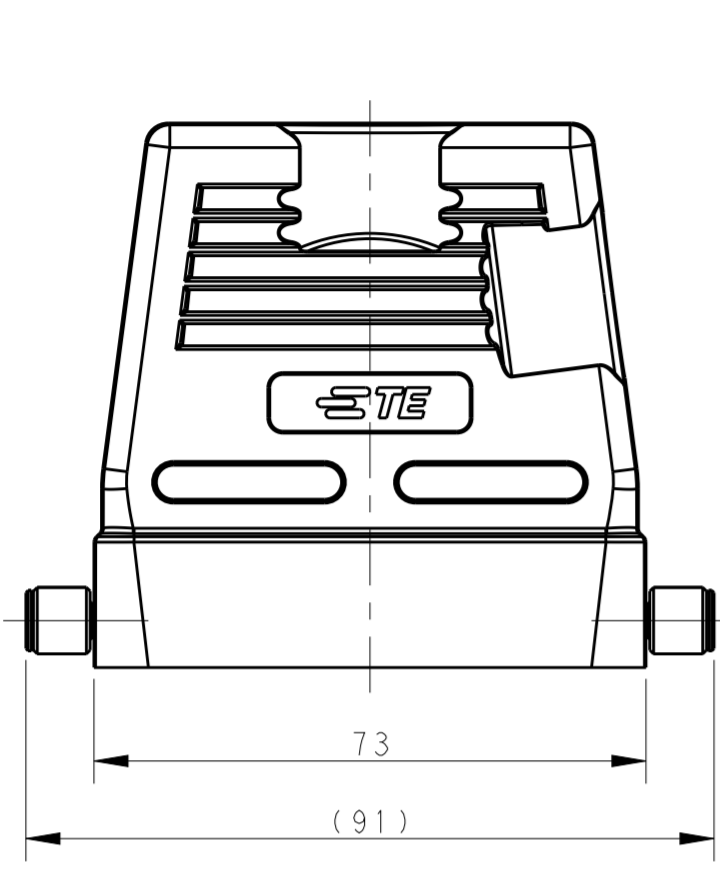
注释:  
 1. 技术参数:  
 上壳材料: 铝合金  
 表面处理: 粉末涂层, 灰色  
 防护等级: IP65(配合)

THIS DRAWING IS A CONTROLLED DOCUMENT.		DWN DAVID.WANG 04JUN2015	<b>STE</b> TE Connectivity	
		CHK CHRIS.WANG 04JUN2015		
		APVD XIANG.XU 04JUN2015	NAME H10B-TS/TG/TSH/TGH-RO-M/PG	
DIMENSIONS: mm		PRODUCT SPEC 108-137013	SIZE CAGE CODE DRAWING NO RESTRICTED TO	
TOLERANCES UNLESS OTHERWISE SPECIFIED:		APPLICATION SPEC 114-137013	A200779 C-T13X010XXXX000	
0 PLC ±		WEIGHT -	SCALE 1:1 SHEET 1 OF 3 REV A2	
1 PLC ±		Customer Drawing		
2 PLC ±				
3 PLC ±				
4 PLC ±				
ANGLES FINISH ±				
MATERIAL -				
-				

THIS DRAWING IS UNPUBLISHED. RELEASED FOR PUBLICATION 20  
 © COPYRIGHT 20 BY - ALL RIGHTS RESERVED.

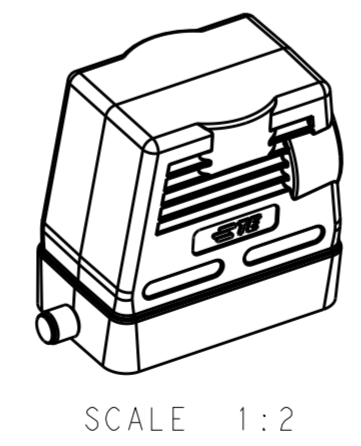
REVISIONS				
P	LTR	DESCRIPTION	DATE	APVD
-	-	SEE SHEET 1	-	-

NOTES:  
SEE SHEET 1



TYPE-3: H10B HOOD, HIGH CONSTRUCTION, SIDE ENTRY, 2 EAR  
 类型-3: H10B上壳, 高结构, 侧出, 2耳

TYPE-4: H10B HOOD, HIGH CONSTRUCTION, TOP ENTRY, 2 EAR  
 类型-4: H10B上壳, 高结构, 顶出, 2耳



TYPE-6: H0B HOOD, HIGH CONSTRUCTION, NO ENTRY, 2 EAR  
 OTHER SPEC REFER TO TYPE-3  
 类型-6: H10B上壳, 高结构, 无出线孔, 2耳  
 其它规格尺寸参照类型-3


THIS DRAWING IS A CONTROLLED DOCUMENT.		DWN DAVID.WANG 04JUN2015	<b>STE</b> TE Connectivity	
		CHK CHRIS.WANG 04JUN2015		
		APVD XIANG.XU 04JUN2015	NAME H10B-TS/TG/TSH/TGH-RO-M/PG	
DIMENSIONS: mm		PRODUCT SPEC 108-137013	SIZE CAGE CODE DRAWING NO RESTRICTED TO	
TOLERANCES UNLESS OTHERWISE SPECIFIED:		APPLICATION SPEC 114-137013	A200779 C-T13X010XXXX000	
0 PLC ±-		WEIGHT -	SCALE 1:1 SHEET 2 OF 3 REV A2	
1 PLC ±-		Customer Drawing		
2 PLC ±-				
3 PLC ±-				
4 PLC ±-				
ANGLES ±-				
FINISH ±-				

THIS DRAWING IS UNPUBLISHED. RELEASED FOR PUBLICATION 20  
 © COPYRIGHT 20 BY - ALL RIGHTS RESERVED.

REVISIONS				
P	LTR	DESCRIPTION	DATE	APVD
-		SEE SHEET 1	-	-

NOTES:  
SEE SHEET 1

PART NUMBER	PART DESCRIPTION	PG/M THREAD-1	PG/M THREAD-2	PG/M THREAD-3	PG/M THREAD-4	TYPE
料号	描述	PG/M 螺孔-1	PG/M 螺孔-2	PG/M 螺孔-3	PG/M 螺孔-4	类型
T1340100000-000	H10B-TGH-RO H10B HOOD, NO ENTRY HOLE, 2 EAR, HIGH CONSTRUCTION, POWDER COATED, GREY H10B上壳, 无出线孔, 2耳, 高结构, 灰色粉末喷涂	-	-	-	-	TYPE-6: H10B HOOD, HIGH CONSTRUCTION, NO ENTRY, 2 EAR 类型-6: H10B上壳, 高结构, 无出线孔, 2耳
T1340107134-000	H10B-TGH-RO-NPT3/4 H10B HOOD, TOP ENTRY NPT3/4, 2 EAR, HIGH CONSTRUCTION, POWDER COATED, GREY H10B上壳, 顶出NPT3/4, 2耳, 高结构, 灰色粉末喷涂	-	-	-	NPT3/4	TYPE-4: H10B HOOD, HIGH CONSTRUCTION, TOP ENTRY, 2 EAR 类型-4: H10B上壳, 高结构, 顶出, 2耳
T1340100132-000	H10B-TGH-RO-M32 H10B HOOD, TOP ENTRY M32, 2 EAR, HIGH CONSTRUCTION, POWDER COATED, GREY H10B上壳, 顶出M32, 2耳, 高结构, 灰色粉末喷涂	-	-	-	M32	
T1340100129-000	H10B-TGH-RO-PG29 H10B HOOD, TOP ENTRY PG29, 2 EAR, HIGH CONSTRUCTION, POWDER COATED, GREY H10B上壳, 顶出PG29, 2耳, 高结构, 灰色粉末喷涂	-	-	-	PG29	
T1340100125-000	H10B-TGH-RO-M25 H10B HOOD, TOP ENTRY M25, 2 EAR, HIGH CONSTRUCTION, POWDER COATED, GREY H10B上壳, 顶出M25, 2耳, 高结构, 灰色粉末喷涂	-	-	-	M25	
T1340100121-000	H10B-TGH-RO-PG21 H10B HOOD, TOP ENTRY PG21, 2 EAR, HIGH CONSTRUCTION, POWDER COATED, GREY H10B上壳, 顶出PG21, 2耳, 高结构, 灰色粉末喷涂	-	-	-	PG21	
T1330107134-000	H10B-TSH-RO-NPT3/4 H10B HOOD, SIDE ENTRY NPT3/4, 2 EAR, HIGH CONSTRUCTION, POWDER COATED, GREY H10B上壳, 侧出NPT3/4, 2耳, 高结构, 灰色粉末喷涂	-	-	NPT3/4	-	TYPE-3: H10B HOOD, HIGH CONSTRUCTION, SIDE ENTRY, 2 EAR 类型-3: H10B上壳, 高结构, 侧出, 2耳
T1330100132-000	H10B-TSH-RO-M32 H10B HOOD, SIDE ENTRY M32, 2 EAR, HIGH CONSTRUCTION, POWDER COATED, GREY H10B上壳, 侧出M32, 2耳, 高结构, 灰色粉末喷涂	-	-	M32	-	
T1330100129-000	H10B-TSH-RO-PG29 H10B HOOD, SIDE ENTRY PG29, 2 EAR, HIGH CONSTRUCTION, POWDER COATED, GREY H10B上壳, 侧出PG29, 2耳, 高结构, 灰色粉末喷涂	-	-	PG29	-	
T1330100125-000	H10B-TSH-RO-M25 H10B HOOD, SIDE ENTRY M25, 2 EAR, HIGH CONSTRUCTION, POWDER COATED, GREY H10B上壳, 侧出M25, 2耳, 高结构, 灰色粉末喷涂	-	-	M25	-	
T1330100121-000	H10B-TSH-RO-PG21 H10B HOOD, SIDE ENTRY PG21, 2 EAR, HIGH CONSTRUCTION, POWDER COATED, GREY H10B上壳, 侧出PG21, 2耳, 高结构, 灰色粉末喷涂	-	-	PG21	-	
T1330100120-000	H10B-TSH-RO-M20 H10B HOOD, SIDE ENTRY M20, 2 EAR, HIGH CONSTRUCTION, POWDER COATED, GREY H10B上壳, 侧出M20, 2耳, 高结构, 灰色粉末喷涂	-	-	M20	-	
T1320100000-000	H10B-TG-RO H10B HOOD, NO ENTRY HOLE, 2 EAR, LOW CONSTRUCTION, POWDER COATED, GREY H10B上壳, 无出线孔, 2耳, 低结构, 灰色粉末喷涂	-	-	-	-	TYPE-5: H10B HOOD, LOW CONSTRUCTION, NO ENTRY, 2 EAR 类型-5: H10B上壳, 低结构, 无出线孔, 2耳
T1320100125-000	H10B-TG-RO-M25 H10B HOOD, TOP ENTRY M25, 2 EAR, LOW CONSTRUCTION, POWDER COATED, GREY H10B上壳, 顶出M25, 2耳, 低结构, 灰色粉末喷涂	-	M25	-	-	TYPE-2: H10B HOOD, LOW CONSTRUCTION, TOP ENTRY, 2 EAR 类型-2: H10B上壳, 低结构, 顶出, 2耳
T1320100120-000	H10B-TG-RO-M20 H10B HOOD, TOP ENTRY M20, 2 EAR, LOW CONSTRUCTION, POWDER COATED, GREY H10B上壳, 顶出M20, 2耳, 低结构, 灰色粉末喷涂	-	M20	-	-	
T1320100116-000	H10B-TG-RO-PG16 H10B HOOD, TOP ENTRY PG16, 2 EAR, LOW CONSTRUCTION, POWDER COATED, GREY H10B上壳, 顶出PG16, 2耳, 低结构, 灰色粉末喷涂	-	PG16	-	-	
T1310100125-000	H10B-TS-RO-M25 H10B HOOD, SIDE ENTRY M25, 2 EAR, LOW CONSTRUCTION, POWDER COATED, GREY H10B上壳, 侧出M25, 2耳, 低结构, 灰色粉末喷涂	M25	-	-	-	TYPE-1: H10B HOOD, LOW CONSTRUCTION, SIDE ENTRY, 2 EAR 类型-1: H10B上壳, 低结构, 侧出, 2耳
T1310100121-000	H10B-TS-RO-PG21 H10B HOOD, SIDE ENTRY PG21, 2 EAR, LOW CONSTRUCTION, POWDER COATED, GREY H10B上壳, 侧出PG21, 2耳, 低结构, 灰色粉末喷涂	PG21	-	-	-	
T1310100120-000	H10B-TS-RO-M20 H10B HOOD, SIDE ENTRY M20, 2 EAR, LOW CONSTRUCTION, POWDER COATED, GREY H10B上壳, 侧出M20, 2耳, 低结构, 灰色粉末喷涂	M20	-	-	-	
T1310100116-000	H10B-TS-RO-PG16 H10B HOOD, SIDE ENTRY PG16, 2 EAR, LOW CONSTRUCTION, POWDER COATED, GREY H10B上壳, 侧出PG16, 2耳, 低结构, 灰色粉末喷涂	PG16	-	-	-	
T1310100113-000	H10B-TS-RO-PG13.5 H10B HOOD, SIDE ENTRY PG13.5, 2 EAR, LOW CONSTRUCTION, POWDER COATED, GREY H10B上壳, 侧出PG13.5, 2耳, 低结构, 灰色粉末喷涂	PG13.5	-	-	-	
T1310100016-000	H10B-TS-RO-M16 H10B HOOD, SIDE ENTRY M16, 2 EAR, LOW CONSTRUCTION, POWDER COATED, GREY H10B上壳, 侧出M16, 2耳, 低结构, 灰色粉末喷涂	M16	-	-	-	

THIS DRAWING IS A CONTROLLED DOCUMENT.		DWN 04 JUN 2015 DAVID.WANG	 TE Connectivity	
		CHK 04 JUN 2015 CHRIS.WANG		
DIMENSIONS: mm		APVD 04 JUN 2015 XIANG.XU	NAME H10B-TS/TG/TSH/TGH-RO-M/PG	
TOLERANCES UNLESS OTHERWISE SPECIFIED:		PRODUCT SPEC 108-137013	RESTRICTED TO -	
0 PLC ±		APPLICATION SPEC 114-137013	SIZE A2 CAGE CODE G-T13X010XXXX000	
1 PLC ±		WEIGHT -	SCALE 1:1 SHEET 3 OF 3 REV A2	
2 PLC ±		Customer Drawing		
3 PLC ±				
4 PLC ±				
ANGLES ±				
FINISH -				

## X-ON Electronics

Largest Supplier of Electrical and Electronic Components

*Click to view similar products for [Heavy Duty Power Connectors](#) category:*

*Click to view products by [TE Connectivity](#) manufacturer:*

Other Similar products are found below :

[1424439](#) [1424438](#) [09330062652](#) [2-8675P1](#) [605601-1](#) [6340G1](#) [6341G1](#) [6360G1](#) [6373G1](#) [6374g2](#) [6396G1](#) [647757-1](#) [66394-4](#) [6643411-1](#)  
[6646058-2](#) [6646137-1](#) [6646138-1](#) [6646348-1](#) [6646479-1](#) [6646608-1](#) [6646786-1](#) [6646940-1](#) [6651091-1](#) [6651525-1](#) [6651529-1](#) [6651778-1](#)  
[6651788-1](#) [696465-1](#) [696475-1](#) [73000005059](#) [73000005349](#) [73000005642](#) [73080255059](#) [73080965046](#) [765-15-0080A](#) [765-16-0080B](#)  
[789.700-44](#) [789.700-54](#) [80-1010](#) [80-9](#) [827381-1](#) [829992-1](#) [902-77-02113](#) [PL00U-301-10D10](#) [PM103MOOLOO](#) [PM16S1620S32-50](#)  
[PM212MOOLOO](#) [PM309FOOLOO](#) [PM324FOOLCH](#) [PMHPAF11S03](#)