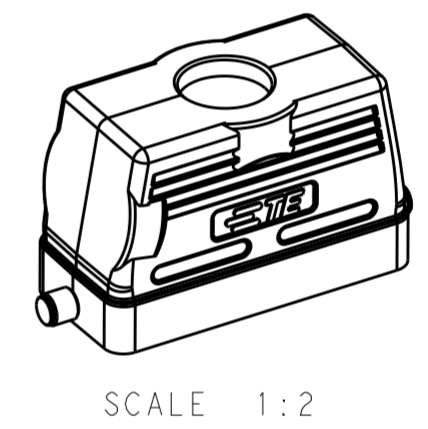
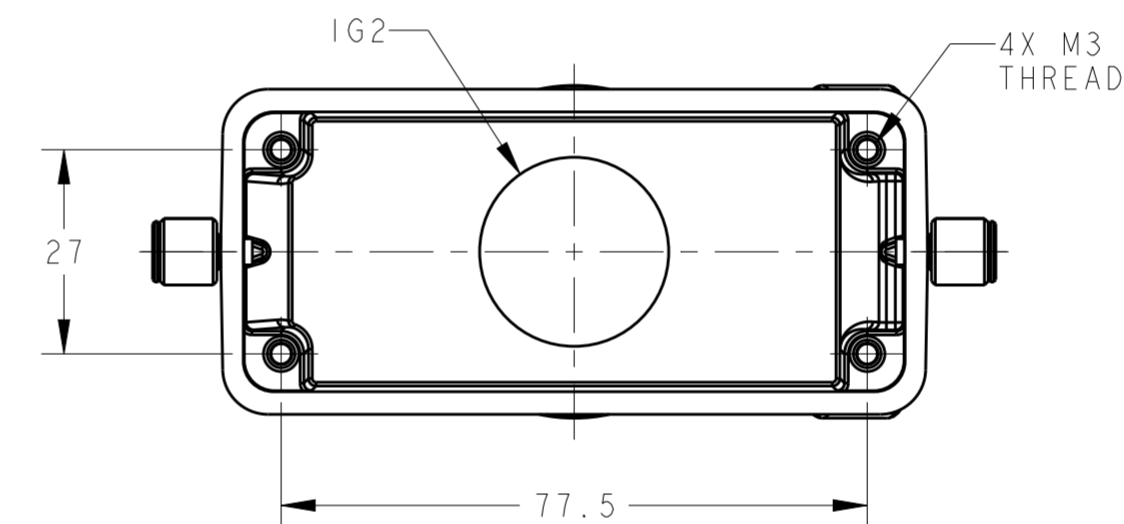
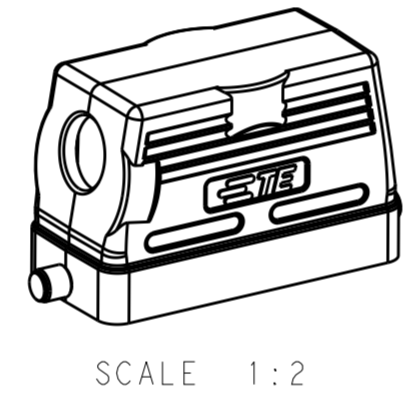
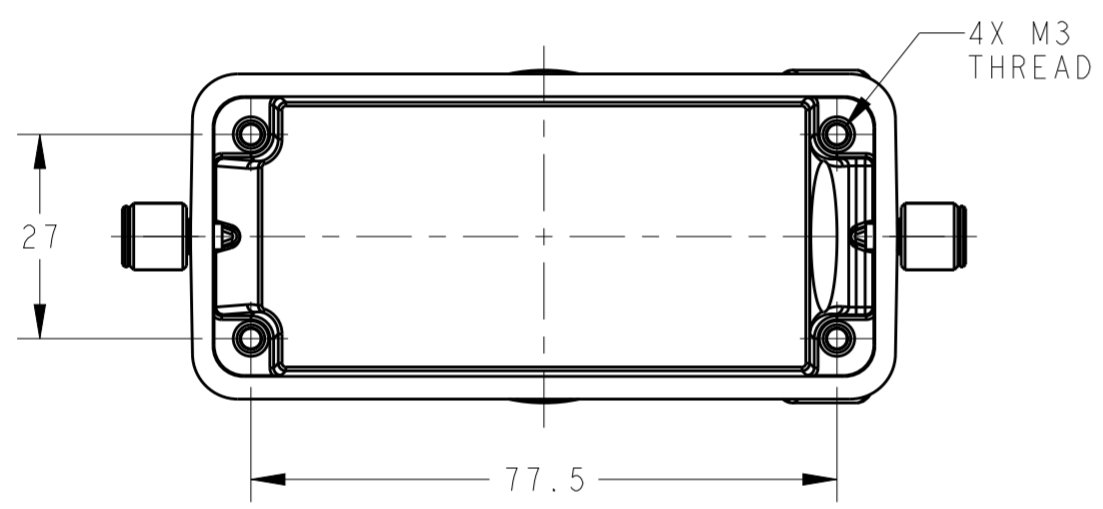
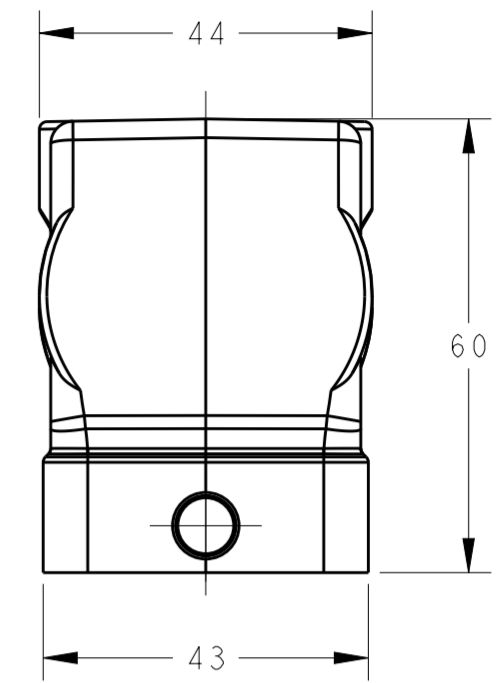
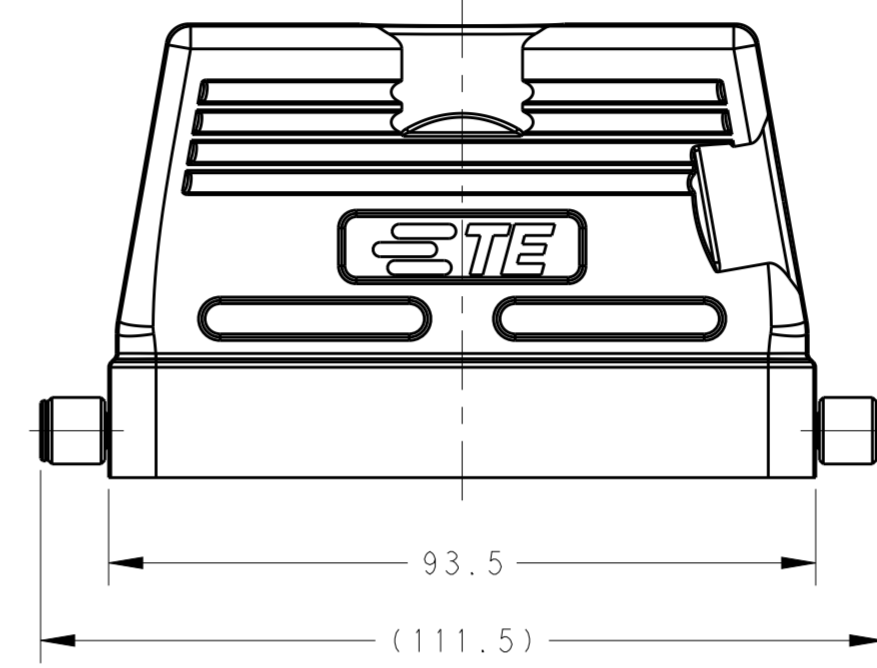
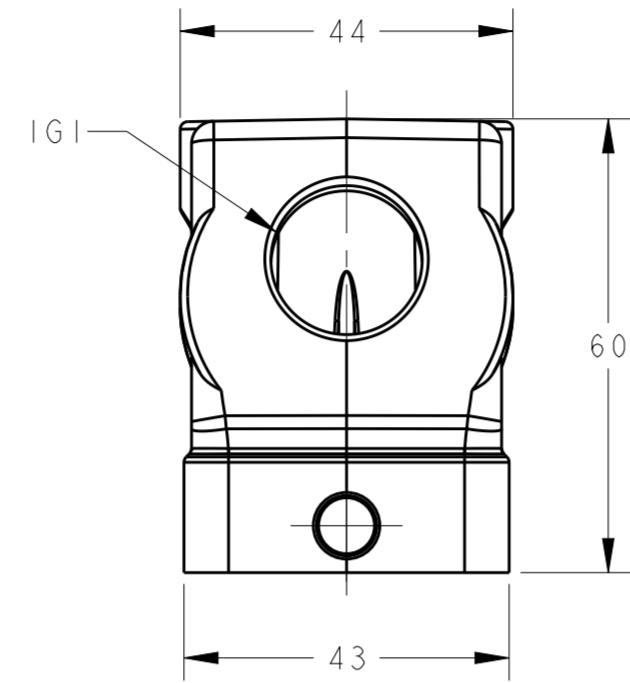
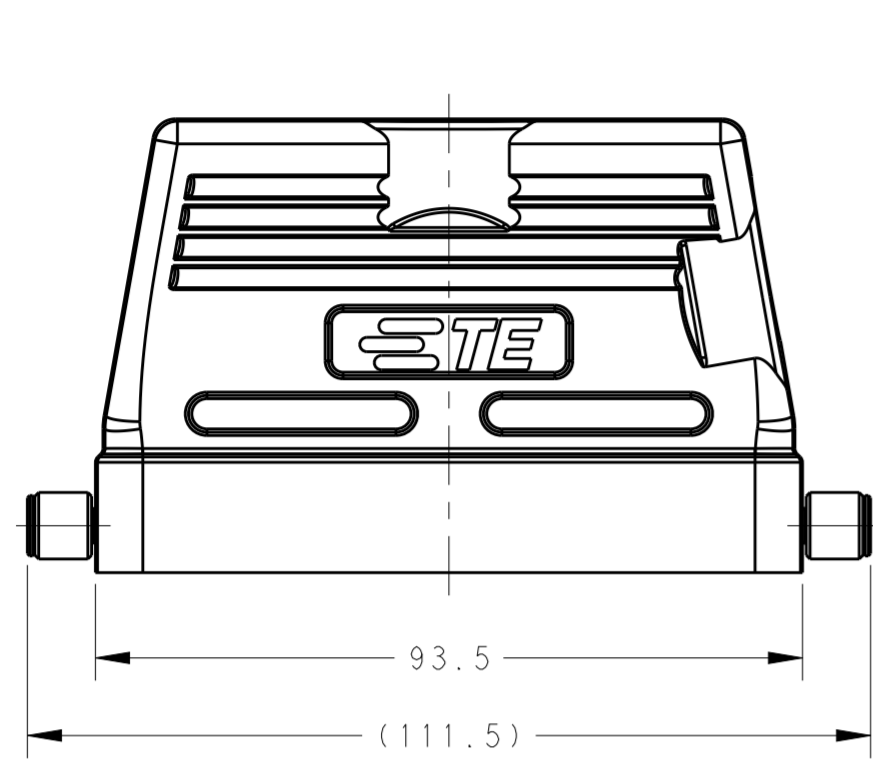


THIS DRAWING IS UNPUBLISHED. RELEASED FOR PUBLICATION 20  
 © COPYRIGHT 20 BY - ALL RIGHTS RESERVED.

| REVISIONS |     |             |           |       |
|-----------|-----|-------------|-----------|-------|
| P         | LTR | DESCRIPTION | DATE      | APVD  |
|           | A   | INITIAL     | 25MAY2015 | DW CW |
|           |     |             |           |       |
|           |     |             |           |       |



TYPE 1: LOW CONSTRUCTION, SIDE ENTRY

TYPE 2: LOW CONSTRUCTION, TOP ENTRY

NOTES:  
 I. TECHNICAL CHARACTERISTICS:  
 HOOD MATERIAL: DIE CAST ALUMINIUM ALLOY  
 SURFACE: POWDER COATED, GREY  
 OPERATION TEMPERATURE: -40-+125°C  
 DEGREE OF PROTECTION: IP65 (MATED)

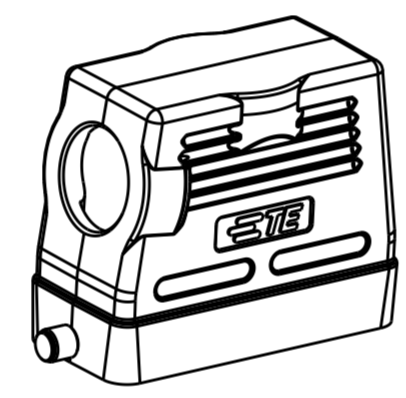
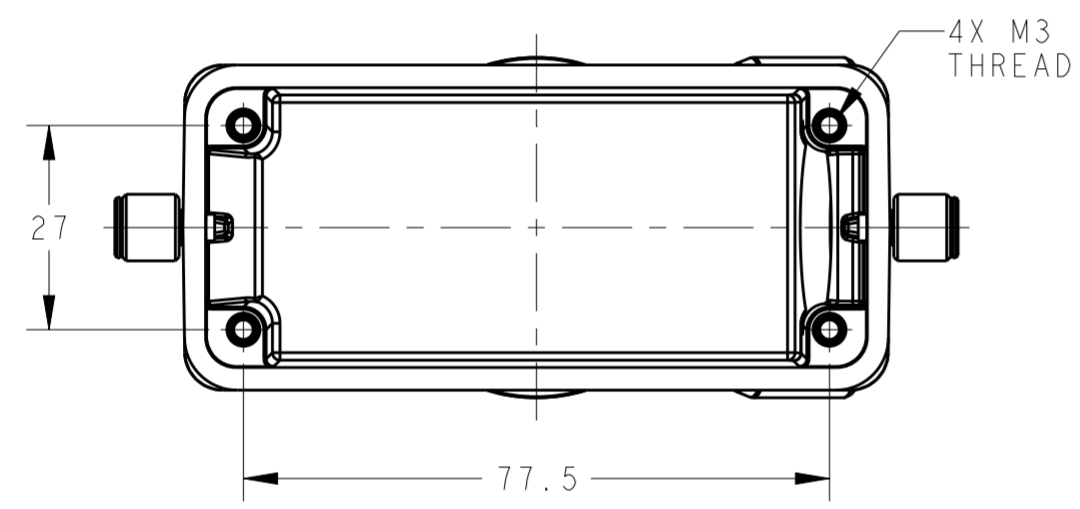
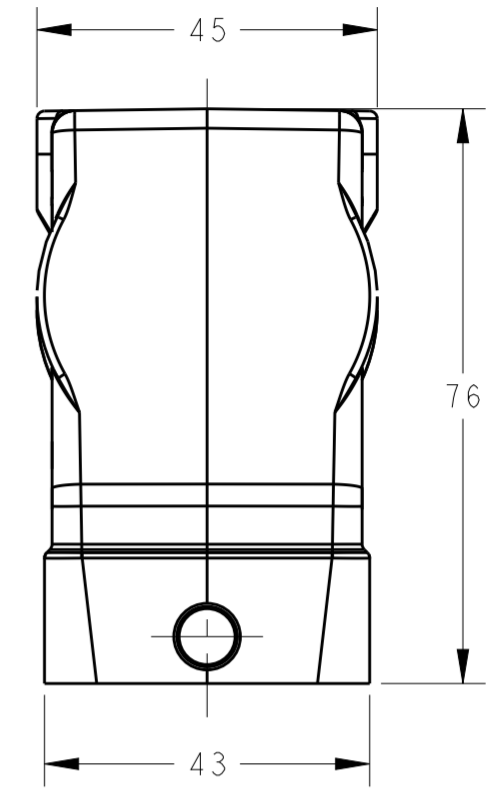
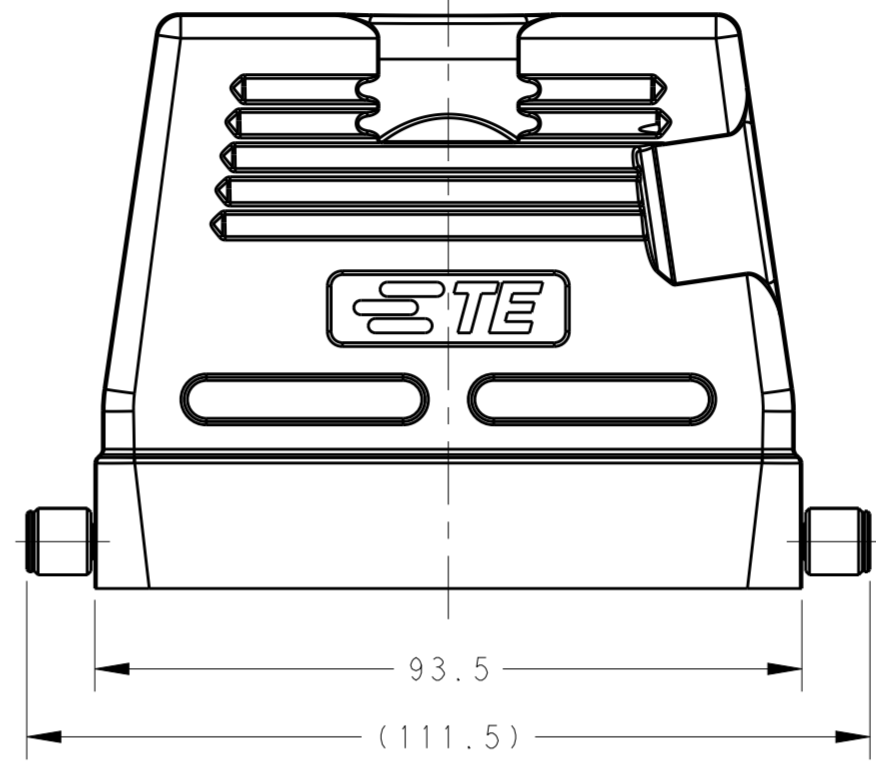
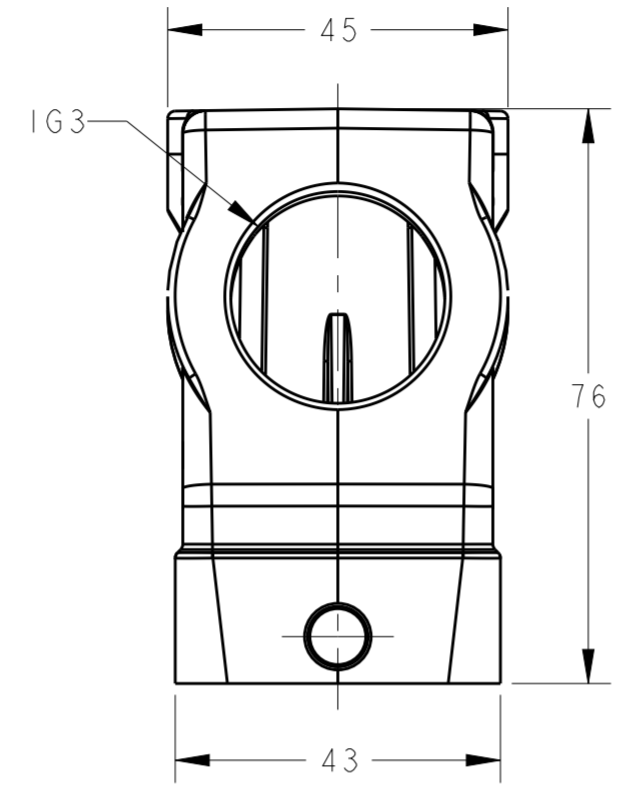
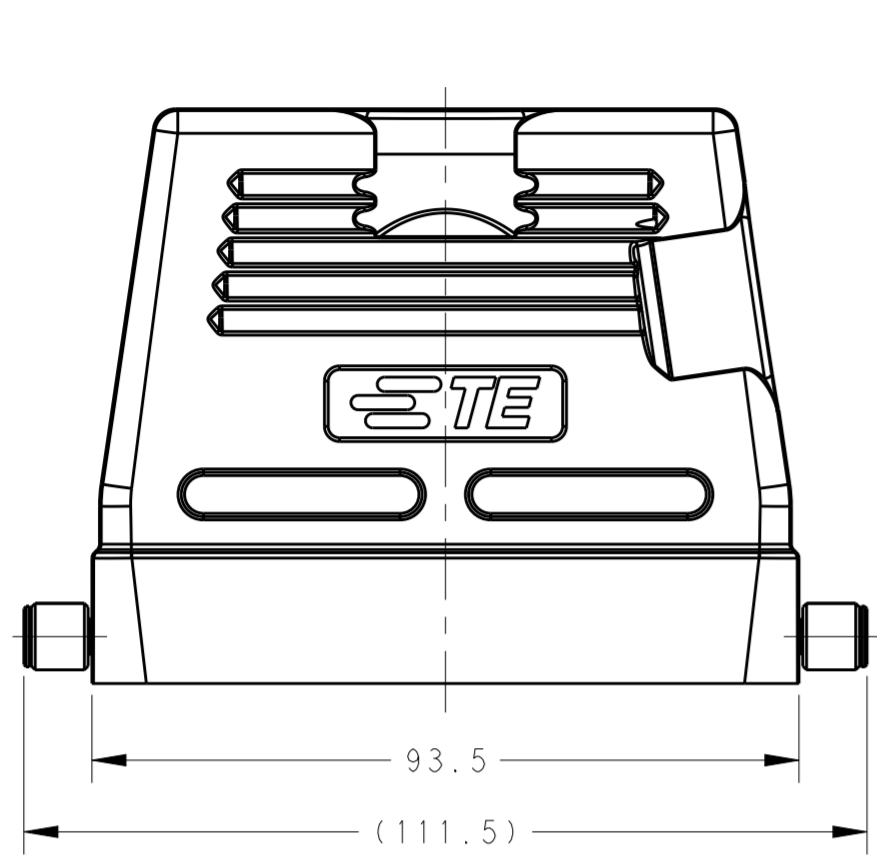
注释:  
 I. 技术参数:  
 上壳材料: 铝合金  
 表面处理: 粉末涂层, 灰色  
 工作温度: -40-+125°C  
 防护等级: IP65(配合)

|                 |        |                 |      |      |
|-----------------|--------|-----------------|------|------|
| T1310160120-000 | TYPE 1 | H16B-TS-RO-M20  | M20  | -    |
| T1310160121-000 |        | H16B-TS-RO-PG21 | PG21 | -    |
| T1310160125-000 |        | H16B-TS-RO-M25  | M25  | -    |
| T1310160132-000 |        | H16B-TS-RO-M32  | M32  | -    |
| T1320160121-000 | TYPE 2 | H16B-TG-RO-PG21 | -    | PG21 |
| T1320160125-000 |        | H16B-TG-RO-M25  | -    | M25  |
| T1320160132-000 |        | H16B-TG-RO-M32  | -    | M32  |
| PART NUMBER     | TYPE   | DESCRIPTION     | IG1  | IG2  |

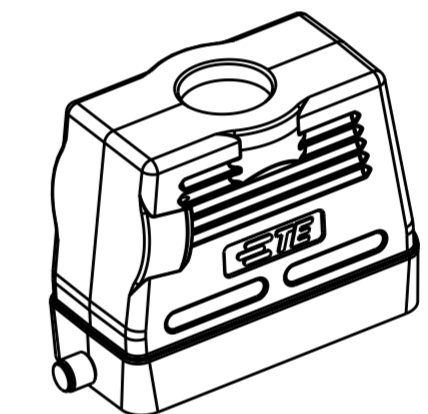
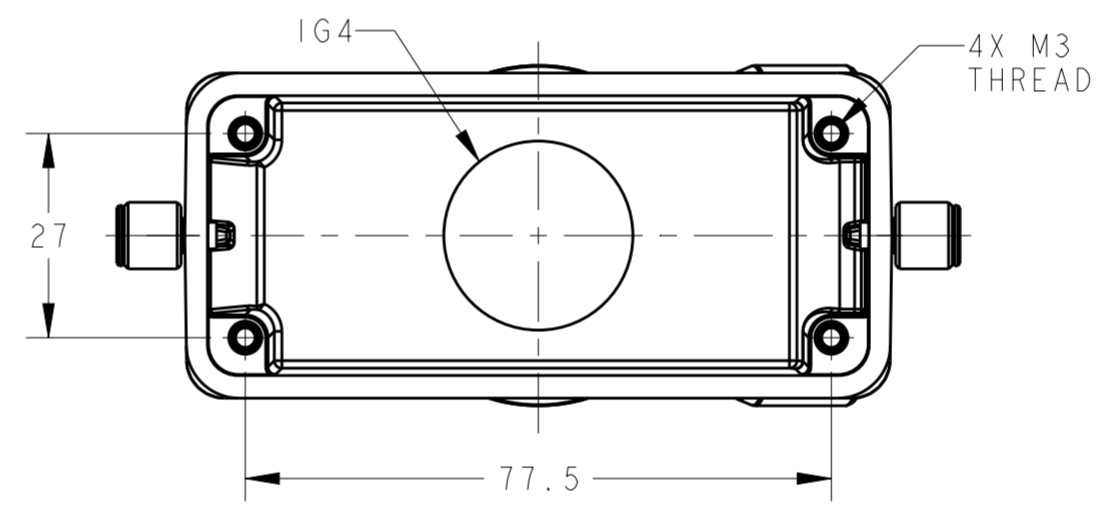
|  |  |                             |   |  |
|--|--|-----------------------------|---|--|
| THIS DRAWING IS A CONTROLLED DOCUMENT. |  | DWN David Wang 25MAY2015    | <b>STE</b> TE Connectivity              |  |
|  |  | CHK Chris Wang 25MAY2015    |   |  |
|  |  | APVD Xiang Xu 25MAY2015     | NAME H16B-TS/TG/TSH/TGH-RO-M/PG         |  |
| DIMENSIONS: mm                         |  | PRODUCT SPEC 108-137013     | SIZE CAGE CODE DRAWING NO RESTRICTED TO |  |
| TOLERANCES UNLESS OTHERWISE SPECIFIED: |  | APPLICATION SPEC 114-137013 | A200779 C-T13X01601XX000                |  |
| MATERIAL -                             |  | WEIGHT -                    | SCALE 1:1 SHEET 1 OF 2 REV A            |  |
|  |  | Customer Drawing            |   |  |

THIS DRAWING IS UNPUBLISHED. RELEASED FOR PUBLICATION 20  
 © COPYRIGHT 20 BY - ALL RIGHTS RESERVED.

| REVISIONS |     |             |      |      |
|-----------|-----|-------------|------|------|
| P         | LTR | DESCRIPTION | DATE | APVD |
| -         |     | SEE SHEET 1 | -    | -    |
|           |     |             |      |      |
|           |     |             |      |      |



SCALE 1:2



SCALE 1:2

TYPE 3: HIGH CONSTRUCTION, SIDE ENTRY

TYPE 4: HIGH CONSTRUCTION, TOP ENTRY

NOTES:  
SEE SHEET 1

|                 |        |                    |      |        |
|-----------------|--------|--------------------|------|--------|
| T1330160121-000 | TYPE 3 | H16B-TSH-RO-PG21   | PG21 | -      |
| T1330160125-000 |        | H16B-TSH-RO-M25    | M25  | -      |
| T1330160129-000 |        | H16B-TSH-RO-PG29   | PG29 | -      |
| T1330160132-000 |        | H16B-TSH-RO-M32    | M32  | -      |
| T1330160140-000 |        | H16B-TSH-RO-M40    | M40  | -      |
| T1340160121-000 | TYPE 4 | H16B-TGH-RO-PG21   | -    | PG21   |
| T1340160125-000 |        | H16B-TGH-RO-M25    | -    | M25    |
| T1340160129-000 |        | H16B-TGH-RO-PG29   | -    | PG29   |
| T1340160132-000 |        | H16B-TGH-RO-M32    | -    | M32    |
| T1340160140-000 |        | H16B-TGH-RO-M40    | -    | M40    |
| T1340167134-000 |        | H16B-TGH-RO-NPT3/4 | -    | NPT3/4 |
| PART NUMBER     | TYPE   | DESCRIPTION        | IG3  | IG4    |

|  |  |                             |   |  |
|--|--|-----------------------------|---|--|
| THIS DRAWING IS A CONTROLLED DOCUMENT. |  | DWN David Wang 25MAY2015    | <b>STE</b> TE Connectivity              |  |
|  |  | CHK Chris Wang 25MAY2015    |   |  |
|  |  | APVD Xiang Xu 25MAY2015     | NAME H16B-TS/TG/TSH/TGH-RO-M/PG         |  |
| DIMENSIONS: mm                         |  | PRODUCT SPEC 108-137013     | SIZE CAGE CODE DRAWING NO RESTRICTED TO |  |
| TOLERANCES UNLESS OTHERWISE SPECIFIED: |  | APPLICATION SPEC 114-137013 | A200779 C-T13X01601XX000                |  |
| MATERIAL                               |  | WEIGHT                      | SCALE 1:1 SHEET 2 OF 2 REV A            |  |
|  |  | Customer Drawing            |   |  |

## X-ON Electronics

Largest Supplier of Electrical and Electronic Components

*Click to view similar products for [Heavy Duty Power Connectors](#) category:*

*Click to view products by [TE Connectivity](#) manufacturer:*

Other Similar products are found below :

[1424439](#) [1424438](#) [09330062652](#) [2-8675P1](#) [605601-1](#) [6340G1](#) [6341G1](#) [6360G1](#) [6373G1](#) [6374g2](#) [6396G1](#) [647757-1](#) [66394-4](#) [6643411-1](#)  
[6646058-2](#) [6646137-1](#) [6646138-1](#) [6646348-1](#) [6646479-1](#) [6646608-1](#) [6646786-1](#) [6646940-1](#) [6651091-1](#) [6651525-1](#) [6651529-1](#) [6651778-1](#)  
[6651788-1](#) [696465-1](#) [696475-1](#) [73000005059](#) [73000005349](#) [73000005642](#) [73080255059](#) [73080965046](#) [765-15-0080A](#) [765-16-0080B](#)  
[789.700-44](#) [789.700-54](#) [80-1010](#) [80-9](#) [827381-1](#) [829992-1](#) [902-77-02113](#) [PL00U-301-10D10](#) [PM103MOOLOO](#) [PM16S1620S32-50](#)  
[PM212MOOLOO](#) [PM309FOOLOO](#) [PM324FOOLCH](#) [PMHPAF11S03](#)