

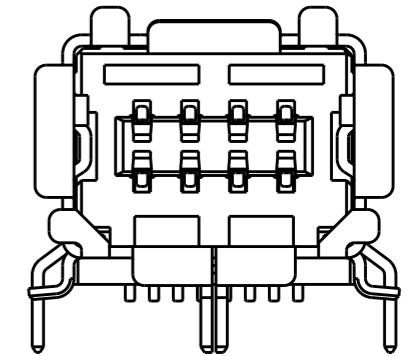
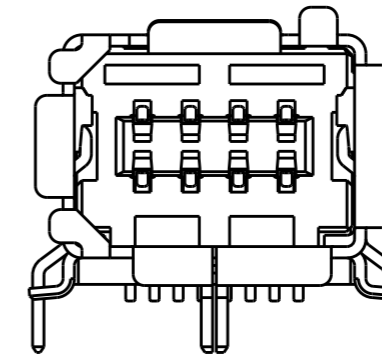
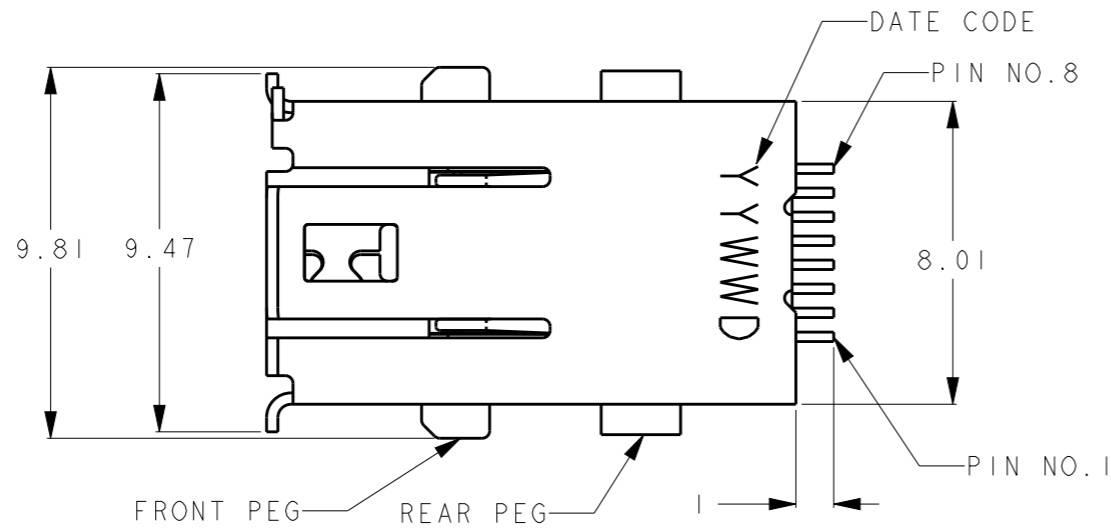
THIS DRAWING IS UNPUBLISHED. RELEASED FOR PUBLICATION 2016

© COPYRIGHT 2016 BY Tyco Electronics Japan G.K. ALL RIGHTS RESERVED.

- 1 : AS SHOWN

REVISIONS

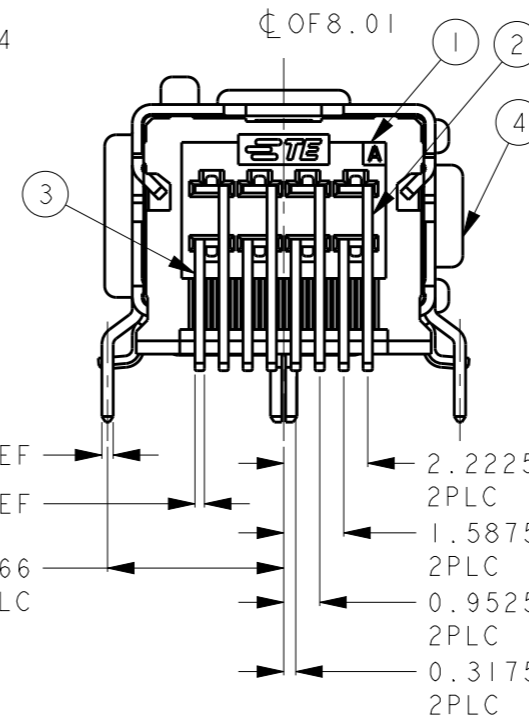
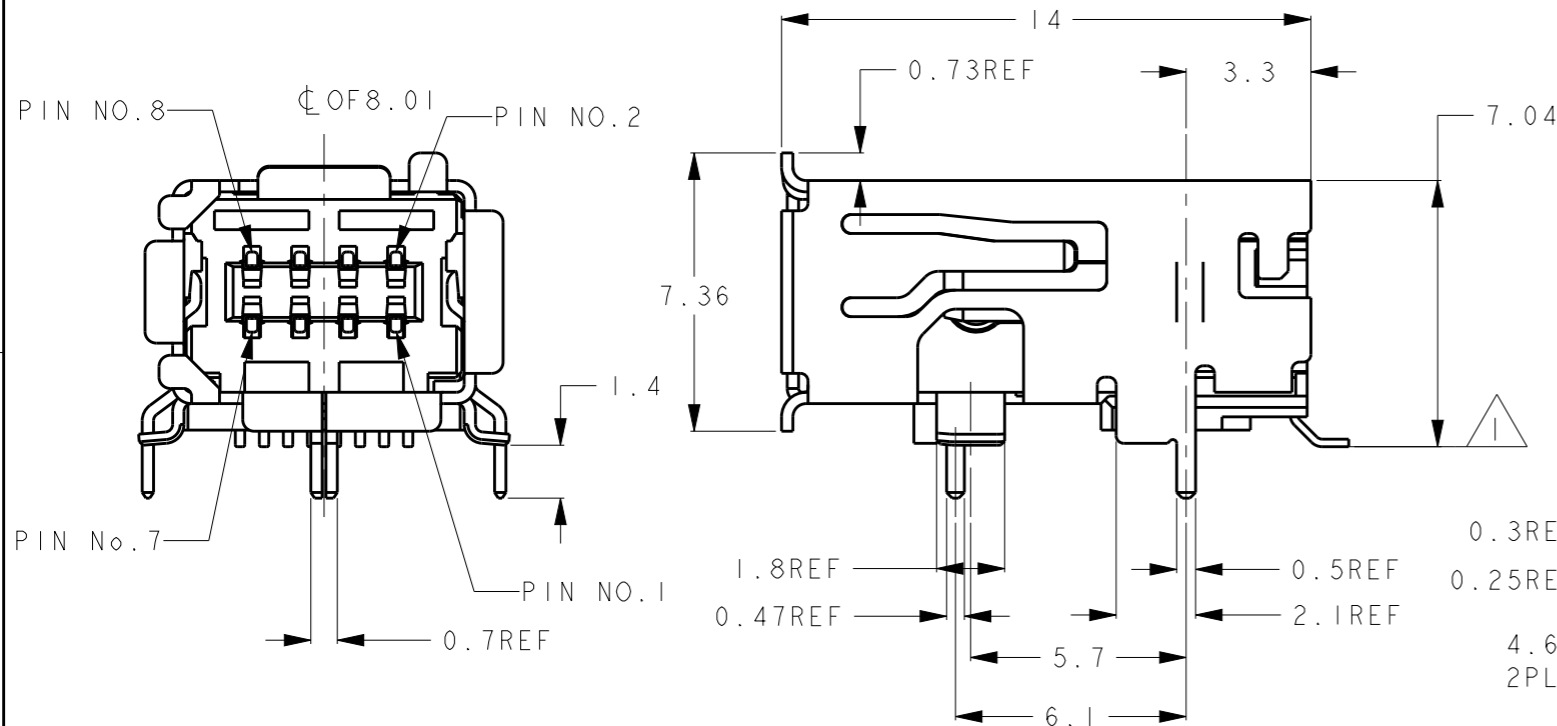
P	LTR	DESCRIPTION	DATE	DWN	APVD
A		RELEASED	28JUN2016	T.S	N.Y
B		REVISED	11JUL2016	T.S	N.Y



TYPE I

TYPE II

P/N	D-SHAPE	HOUSING COLOR
2294417-4	TYPE II	NATURAL
2294417-1	TYPE I	BLACK



1 COPLANARITY: 0.08MAX (FRONT PEG, CONTACT)

2 DIMENSION DECIDED BY CUSTOMER

3. PRODUCT QUANTITY : 300/REEL

ITEM	DESCRIPTION	ITEM
1	HDR SHELL TYPE II MATERIAL: SUS UNDER ALL SURFACE Ni 0.00127MIN ALL SURFACE Sn 0.002MIN	4
-	HDR SHELL TYPE I MATERIAL: SUS UNDER ALL SURFACE Ni 0.00127MIN ALL SURFACE Sn 0.002MIN	
4	HDR LOWER CONTACT MATERIAL: COPPER ALLOY UNDER ALL SURFACE Ni 0.00127MIN CONTACT AREA Au 0.0005MIN SOLDERING AREA Sn 0.002MIN	3
4	HDR UPPER CONTACT MATERIAL: COPPER ALLOY UNDER ALL SURFACE Ni 0.00127MIN CONTACT AREA Au 0.0005MIN SOLDERING AREA Sn 0.002MIN	2
1	HDR HOUSING MATERIAL: THERMO PLASTIC(UL94 V-0) COLOR: NATURAL	1
-	HDR HOUSING MATERIAL: THERMO PLASTIC(UL94 V-0) COLOR: BLACK	
-4	DESCRIPTION	ITEM

THIS DRAWING IS A CONTROLLED DOCUMENT.		DWN 28JUN2016 T. SHIMOYASU	<b>TE Connectivity</b>	
DIMENSIONS: 単位: 耗 mm		CHK 28JUN2016 E. TAKEMASA		
TOLERANCES UNLESS OTHERWISE SPECIFIED: 一般公差 ±0.3		APVD 28JUN2016 N. YAMASAKI	NAME 名称 INDUSTRIAL MINI I/O CONN. 1.27MM PITCH 8P HDR ASSY SMT EMBOSS	
0 PLC ± 1 PLC ± 2 PLC ± 3 PLC ± 4 PLC ± ANGLES ±5°		PRODUCT SPEC 108-78405	SIZE A3 CAGE CODE - DRAWING NO 番号 C=2294417 RESTRICTED TO -	
MATERIAL 材料 FINISH 仕上		APPLICATION SPEC 114-32132	SCALE 尺度 5:1 SHEET 1 OF 3 REV B	
WEIGHT 1.08g		CUSTOMER DRAWING		

4

3

2

1

THIS DRAWING IS UNPUBLISHED.

RELEASED FOR PUBLICATION

2016

© COPYRIGHT 2016

BY Tyco Electronics Japan G.K.

ALL RIGHTS RESERVED.

REVISIONS

変更

P	LTR	DESCRIPTION	DATE	DWN	APVD
		SEE SHEET 1			

REFERENCE PCB DIMENSIONS  
(STANDARD)  
t=1.6±0.1

REFERENCE PCB DIMENSIONS  
(SAME AS 1981080-1/1981386-1)  
t=1.6±0.1

THIS DRAWING IS A CONTROLLED DOCUMENT.

DWN

CHK

APVD

PRODUCT SPEC

製品規格

APPLICATION SPEC

取付適用規格

WEIGHT

CUSTOMER DRAWING

DIMENSIONS:  
単位: 耗  
mm

TOLERANCES UNLESS  
OTHERWISE SPECIFIED:

一般公差 ±0.3

0-PLC ±

1-PLC ±

2-PLC ±

3-PLC ±

4-PLC ±

ANGLES ±5°

MATERIAL  
材料FINISH  
仕上

TE Connectivity

NAME  
名称INDUSTRIAL MINI I/O CONN.  
1.27MM PITCH 8P HDR ASSY SMT EMBOSS

SIZE

A3

CAGE CODE

-

DRAWING NO  
番号

C-2294417

RESTRICTED TO

-

SCALE  
尺度

4:1

SHEET

2 OF 3

REV

B

1470-19 (3/13)

THIS DRAWING IS UNPUBLISHED.

RELEASED FOR PUBLICATION

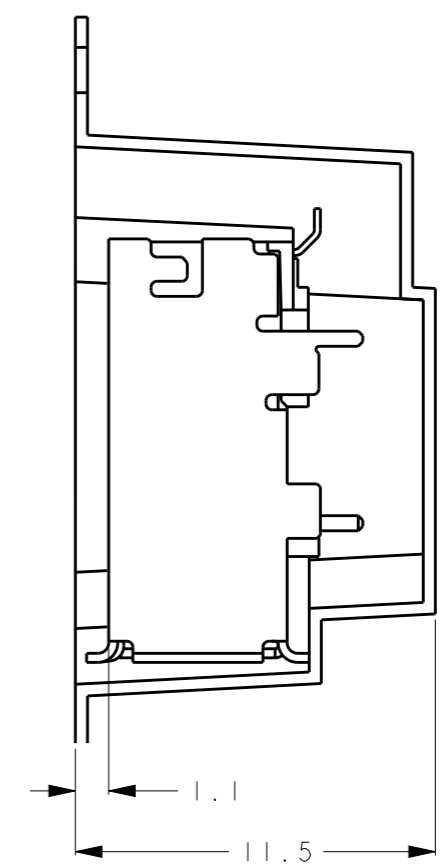
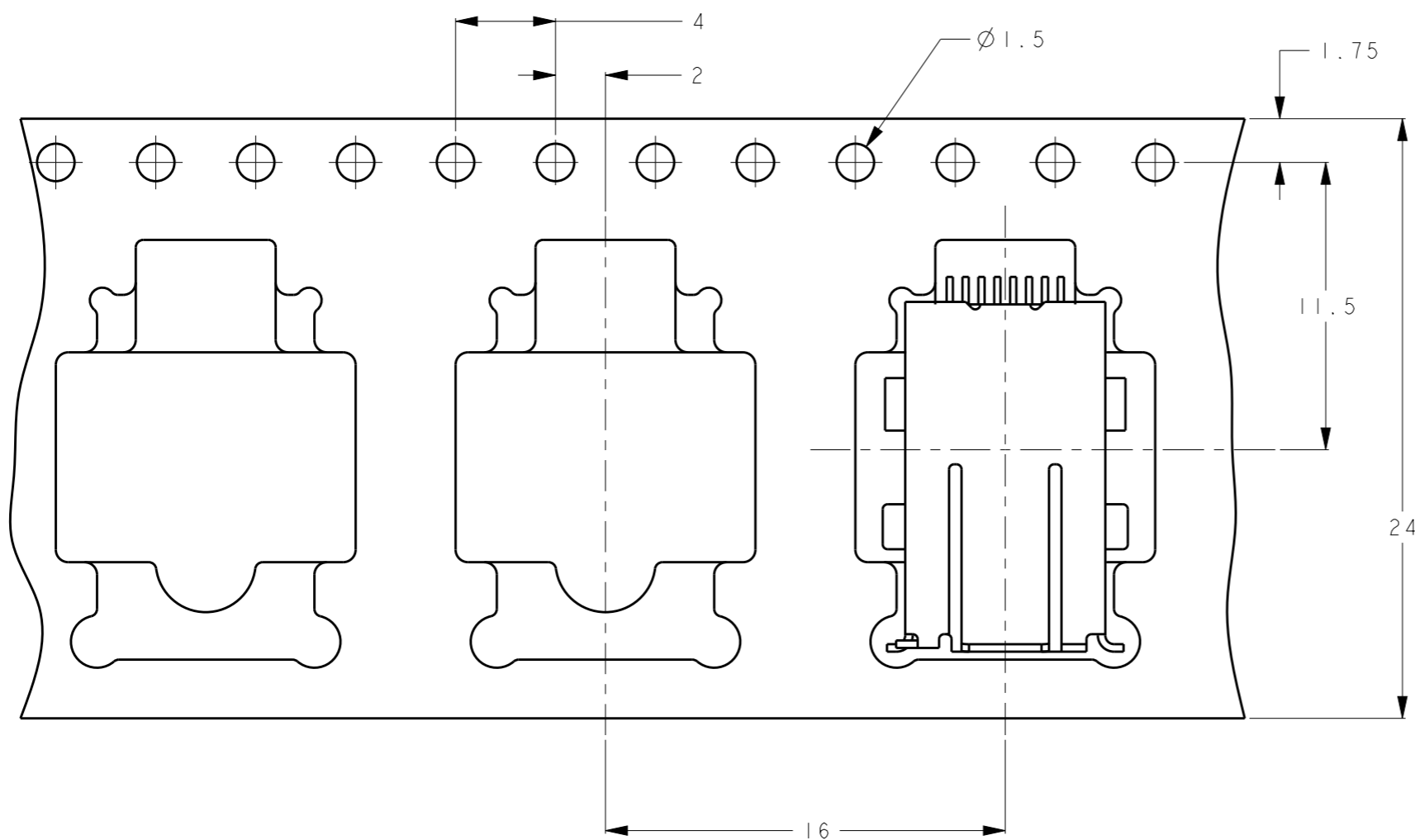
2016

© COPYRIGHT 2016 BY Tyco Electronics Japan G.K. ALL RIGHTS RESERVED.

REVISIONS

変更

P	LTR	DESCRIPTION	DATE	DWN	APVD
		SEE SHEET 1			



EMBOSS TAPE

THIS DRAWING IS A CONTROLLED DOCUMENT.

DIMENSIONS: 単位: 耗 mm		TOLERANCES UNLESS OTHERWISE SPECIFIED:	
		一般公差	$\pm 0.5$
		0-PLC	$\pm$
		1-PLC	$\pm$
		2-PLC	$\pm$
		3-PLC	$\pm$
MATERIAL 材料		FINISH 仕上	ANGLES $\pm 5^\circ$

DWN
CHK
APVD
PRODUCT SPEC 製品規格
APPLICATION SPEC 取付適用規格
WEIGHT
CUSTOMER DRAWING

**STE** TE Connectivity

NAME  
名称 INDUSTRIAL MINI I/O CONN.  
1.27MM PITCH 8P HDR ASSY SMT EMBOSS

SIZE A3	CAGE CODE -	DRAWING NO 番号 C-2294417	RESTRICTED TO -
SCALE 尺度 4:1		SHEET 3 OF 3	REV B

## X-ON Electronics

Largest Supplier of Electrical and Electronic Components

*Click to view similar products for [Modular Connectors / Ethernet Connectors](#) category:*

*Click to view products by [TE Connectivity](#) manufacturer:*

Other Similar products are found below :

[RJE231881317T](#) [MP1010RX-1000](#) [MP44RX-1000](#) [GAX-3-66](#) [GAX-8-62](#) [93606-0253](#) [GD-A-44](#) [GDCX-PA-66-50](#) [GDCX-PN-64](#) [GDCX-PN-66](#) [GDCX-PN-66-50](#) [GDLX-A-66](#) [GDLX-A-88](#) [GDLX-N-66](#) [GDLX-S-88K](#) [GDTX-S-88-50](#) [GDX-PA-1010](#) [GLX-N-1010M-BLK](#) [GLX-N-44M](#) [GLX-S-88M-BLK](#) [GMX-N-1010](#) [GMX-S-1010](#) [GMX-S-66](#) [GMX-SMT2-N-1010](#) [GMX-SMT2-N-64-50](#) [GMX-SMT2-S6-88](#) [GMX-SMT4-N-88](#) [GPX-2-64](#) [GRT1-BT1-5](#) [GSGX-N-2-88](#) [GSX-NS2-88-3.05](#) [GSX-NS2-88-3.05-50](#) [GSX-NS-88-3.05-30](#) [GSX-NS-88-3.05-50](#) [GSX-NS-88-3.68](#) [1-1775629-2](#) [GWLX-S-88-GR](#) [GWLX-S9-88-YG](#) [1300500326](#) [1300500227](#) [1300530003](#) [1300570002](#) [1324640-4](#) [RJ11FTVC2G](#) [RJ11FTVC2N](#) [RJFTVX2SA1G](#) [132764-001](#) [1400000](#) [1413176](#) [1413235](#)