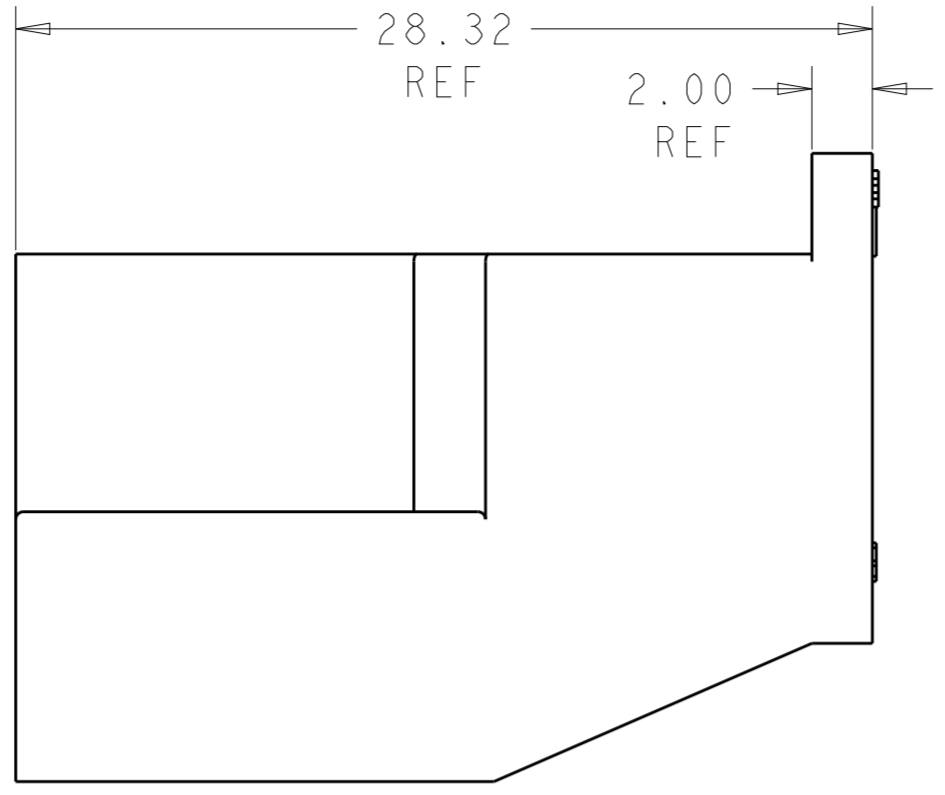


THIS DRAWING IS UNPUBLISHED. RELEASED FOR PUBLICATION 20
 © COPYRIGHT 20 BY - ALL RIGHTS RESERVED.

LOC	DIST	REVISIONS					
AF	50	P	LTR	DESCRIPTION	DATE	DWN	APVD
				C3 REVISED PER ECO-16-013983	26SEP2016	RS	DH

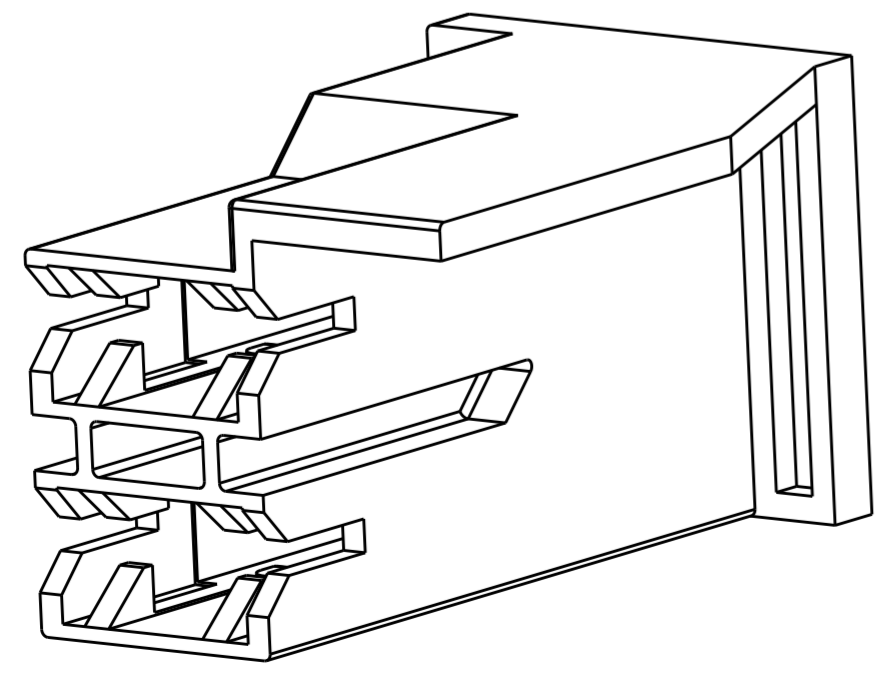
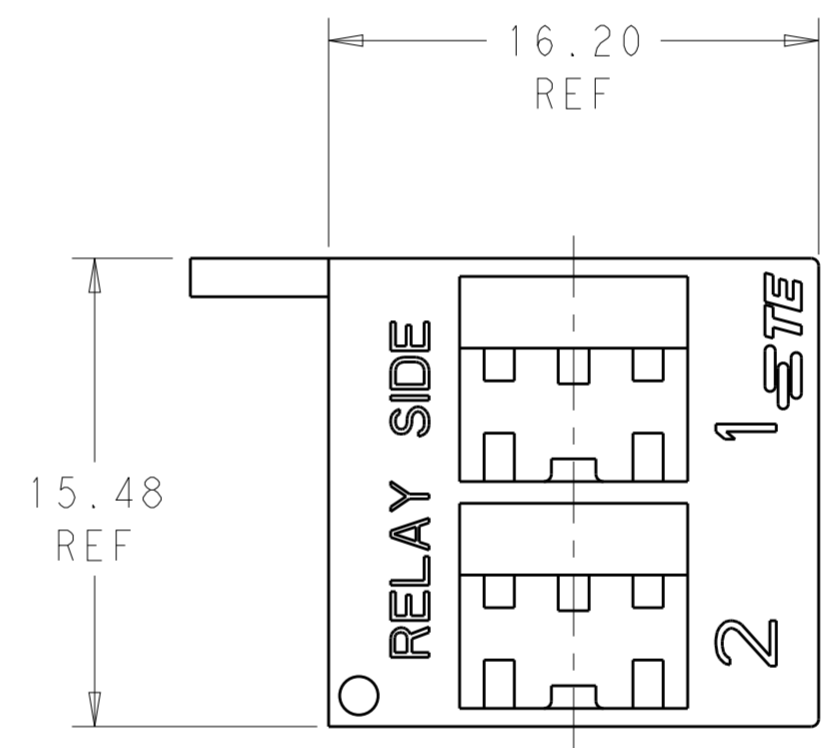
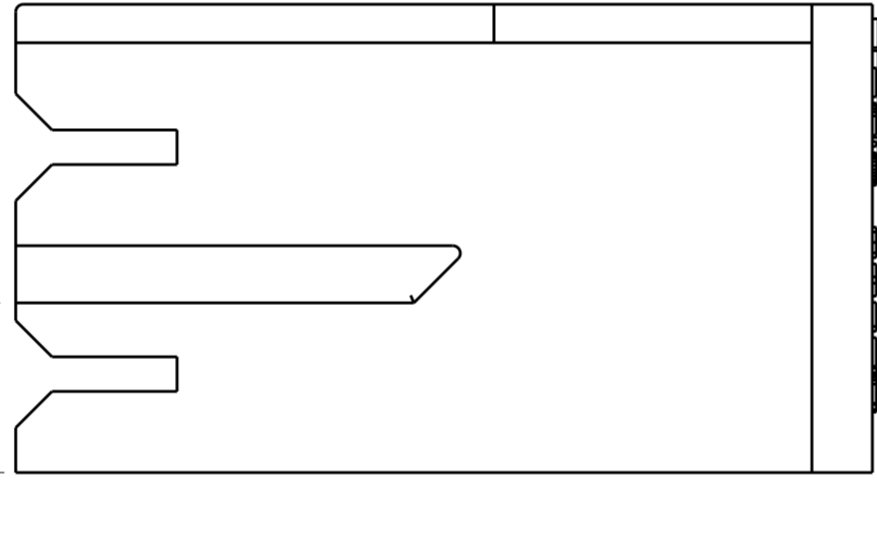
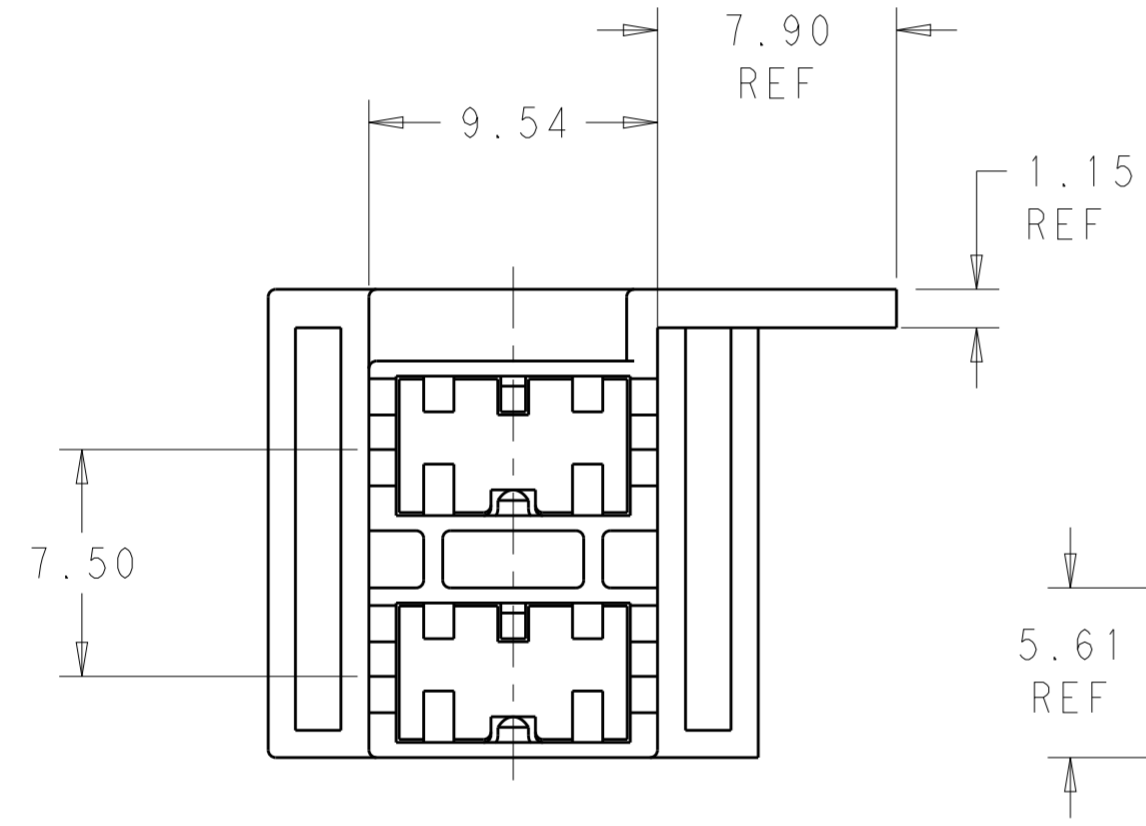


1 ACCEPTS RECEPTACLE CONTACTS 1-160759-1 (20-16) AWG, 154718-3 (18-14) AWG, 154717-3 (14-11) AWG.

~~2 PREPRODUCTION ONLY - FASR REQUIRED.~~

3 DUE TO LIGHT PIGMENTATION, THE PARTS MAY HAVE SOME COLOR VARIATION/MARBLING.

4 PRELIMINARY- NOT FOR PRODUCTION



BLACK	1969717-6
NATURAL	1969717-5
GREEN ³	⁴ 1969717-4
YELLOW ³	1969717-3
COLOR	PART NO.

THIS DRAWING IS A CONTROLLED DOCUMENT.		DWN B WAYNE 15JAN15	TE Connectivity	
DIMENSIONS: mm		CHK DAVE HUMPHREY 15JAN15		
TOLERANCES UNLESS OTHERWISE SPECIFIED:		APVD DAVE HUMPHREY 15JAN15	NAME HOUSING, RECEPTACLE, POSI-LOCK, 2 POSITION, 6.35 SERIES	
0 PLC ±		PRODUCT SPEC	SIZE	
1 PLC ±		APPLICATION SPEC	CAGE CODE	
2 PLC ±0.25		WEIGHT	DRAWING NO	
3 PLC ±		CUSTOMER DRAWING	RESTRICTED TO	
4 PLC ±		SCALE 4:1	SHEET 1 OF 1	
ANGLES ±		REV C3		
FINISH				
MATERIAL 6/6 NYLON, V0		SEE TABLE		

X-ON Electronics

Largest Supplier of Electrical and Electronic Components

Click to view similar products for [Heavy Duty Power Connectors](#) category:

Click to view products by [TE Connectivity](#) manufacturer:

Other Similar products are found below :

[1424439](#) [1424438](#) [09330062652](#) [2-8675P1](#) [605601-1](#) [6340G1](#) [6341G1](#) [6360G1](#) [6373G1](#) [6374g2](#) [6396G1](#) [647757-1](#) [66394-4](#) [6643411-1](#)
[6646058-2](#) [6646137-1](#) [6646138-1](#) [6646348-1](#) [6646479-1](#) [6646608-1](#) [6646786-1](#) [6646940-1](#) [6651091-1](#) [6651525-1](#) [6651529-1](#) [6651778-1](#)
[6651788-1](#) [696465-1](#) [696475-1](#) [73000005059](#) [73000005349](#) [73000005642](#) [73080255059](#) [73080965046](#) [765-15-0080A](#) [765-16-0080B](#)
[789.700-44](#) [789.700-54](#) [80-1010](#) [80-9](#) [827381-1](#) [829992-1](#) [902-77-02113](#) [PL00U-301-10D10](#) [PM103MOOLOO](#) [PM16S1620S32-50](#)
[PM212MOOLOO](#) [PM309FOOLOO](#) [PM324FOOLCH](#) [PMHPAF11S03](#)