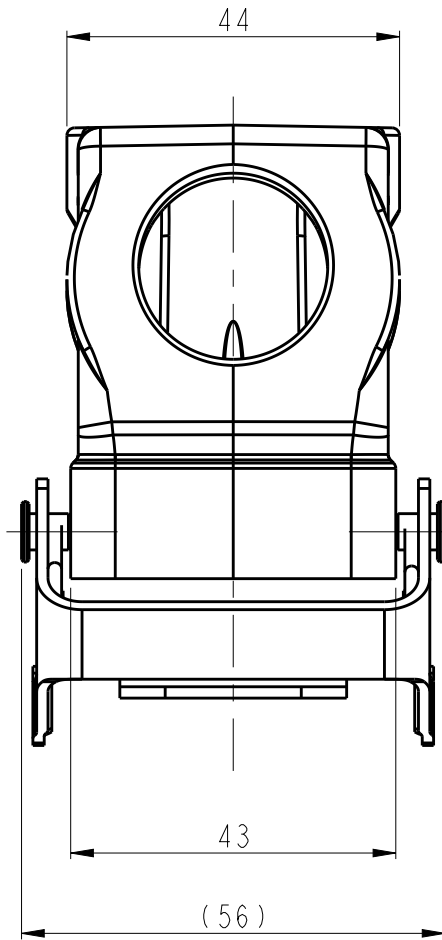
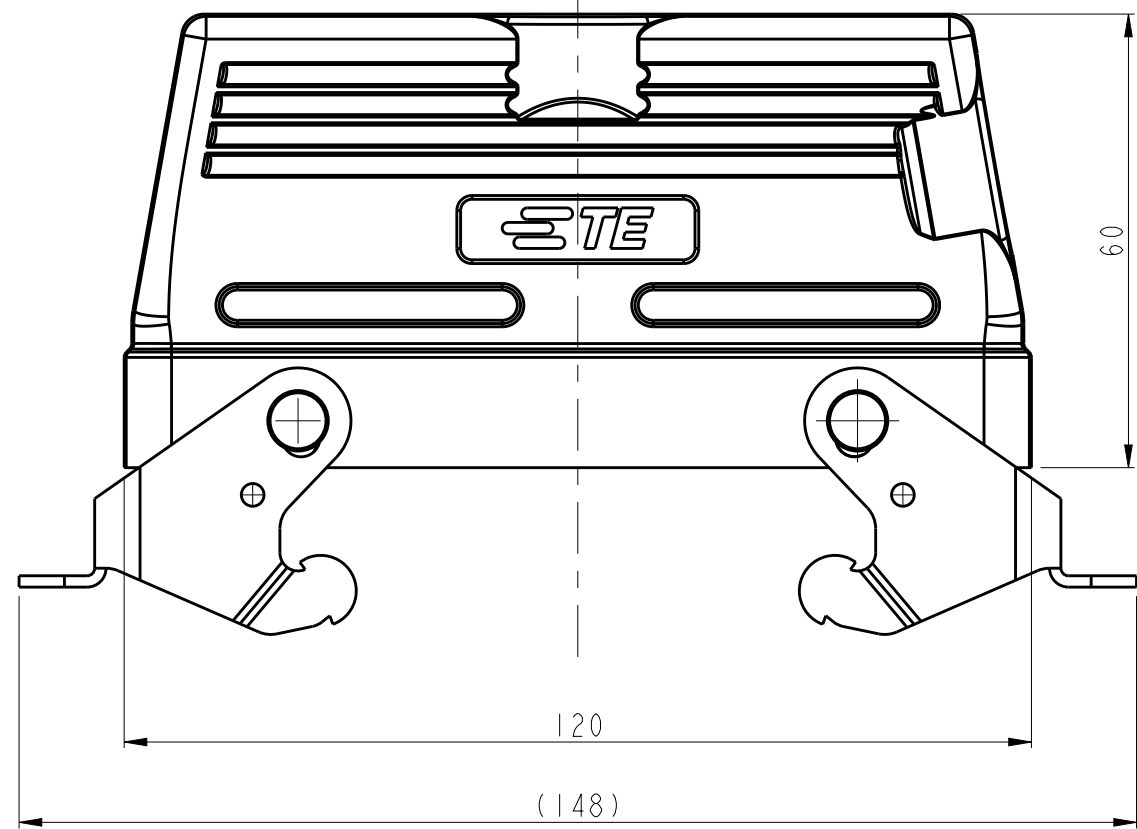
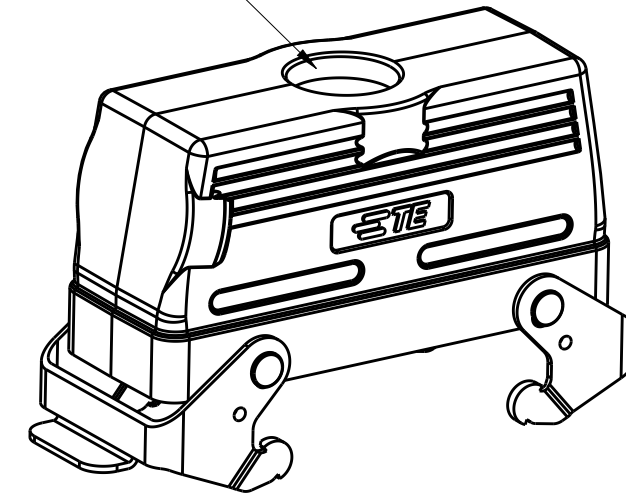


THIS DRAWING IS UNPUBLISHED. RELEASED FOR PUBLICATION 20  
 © COPYRIGHT 20 BY - ALL RIGHTS RESERVED.

REVISIONS				
P	LTR	DESCRIPTION	DATE	APVD
A		INITIAL	29MAY2015	DW CW
AI		ECR-17-008664	17JUN2017	CH CW



PG/M THREAD 2  
PG/M 螺纹孔2



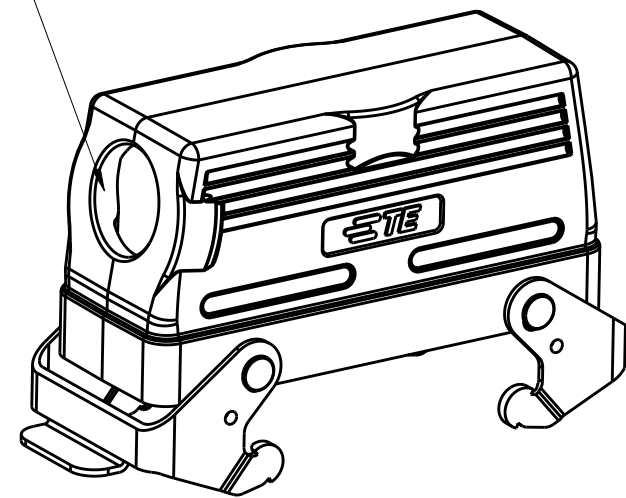
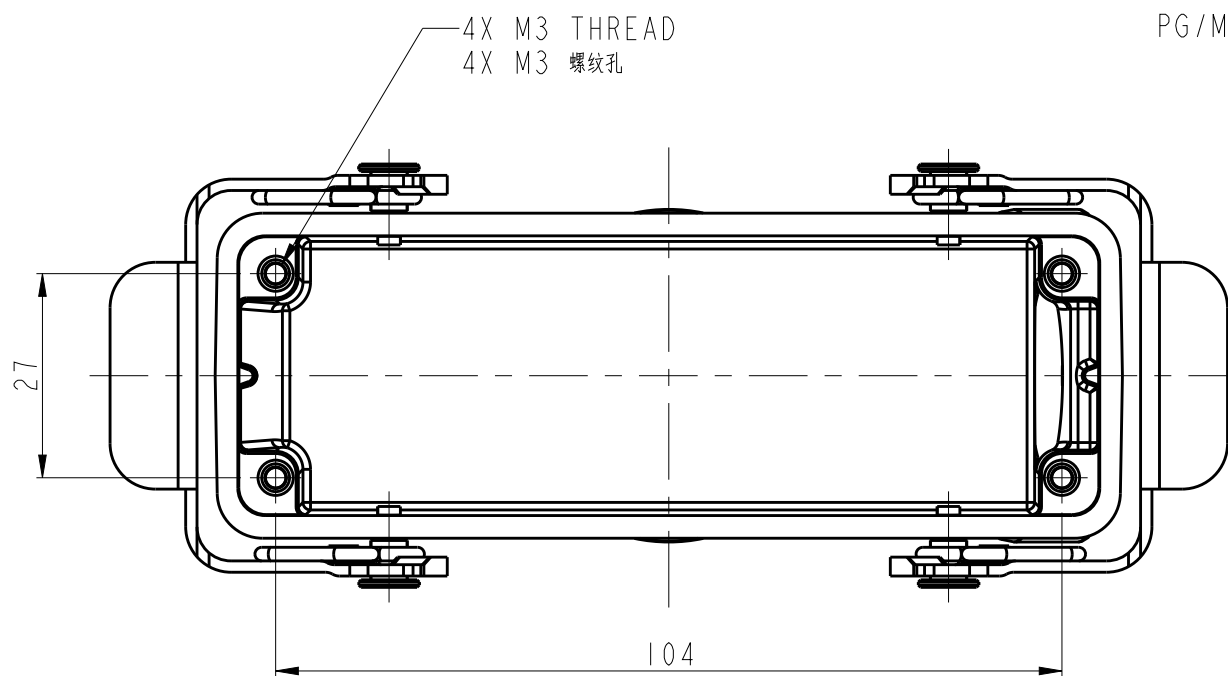
SCALE 3:5

TYPE 2: LOW CONSTRUCTION, TOP ENTRY WITH STEEL DOUBLE LOCKING  
OTHER SPEC REFER TO TYPE 1

类型2: 低结构, 顶出, 带彩锌双扣, 其它规格参照类型1

NOTES:  
 1. TECHNICAL CHARACTERISTICS:  
 HOOD MATERIAL: DIE CAST ALUMINIUM ALLOY  
 SURFACE: POWDER COATED, GREY  
 DEGREE OF PROTECTION: IP65 (MATED)

注释:  
 1. 技术参数:  
 上壳材料: 铝合金  
 表面处理: 灰色粉末喷涂  
 防护等级: IP65(配合)



SCALE 3:5

TYPE 1: LOW CONSTRUCTION, SIDE ENTRY WITH STEEL DOUBLE LOCKING

类型1: 低结构, 侧出, 带彩锌双扣

T1260242132-000	H24B-TGB-M32	H24B HOOD, TOP ENTRY M32, METAL DOUBLE LOCKING, POWDER COATED, GREY H24B上壳, 顶出M32, 彩锌双扣, 灰色粉末喷涂	-	M32	TYPE 2 类型2
T1260242129-000	H24B-TGB-PG29	H24B HOOD, TOP ENTRY PG29, METAL DOUBLE LOCKING, POWDER COATED, GREY H24B上壳, 顶出PG29, 彩锌双扣, 灰色粉末喷涂	-	PG29	
T1260242125-000	H24B-TGB-M25	H24B HOOD, TOP ENTRY M25, METAL DOUBLE LOCKING, POWDER COATED, GREY H24B上壳, 顶出M25, 彩锌双扣, 灰色粉末喷涂	-	M25	
T1260242121-000	H24B-TGB-PG21	H24B HOOD, TOP ENTRY PG21, METAL DOUBLE LOCKING, POWDER COATED, GREY H24B上壳, 顶出PG21, 彩锌双扣, 灰色粉末喷涂	-	PG21	
T1260240000-000	H24B-TGB	H24B HOOD, NO ENTRY, METAL DOUBLE LOCKING, POWDER COATED, GREY H24B上壳, 无开孔, 彩锌双扣, 灰色粉末喷涂	-	-	
T1250242132-000	H24B-TSB-M32	H24B HOOD, SIDE ENTRY M32, METAL DOUBLE LOCKING, POWDER COATED, GREY H24B上壳, 侧出M32, 彩锌双扣, 灰色粉末喷涂	M32	-	TYPE 1 类型1
T1250242125-000	H24B-TSB-M25	H24B HOOD, SIDE ENTRY M25, METAL DOUBLE LOCKING, POWDER COATED, GREY H24B上壳, 侧出M25, 彩锌双扣, 灰色粉末喷涂	M25	-	
T1250242121-000	H24B-TSB-PG21	H24B HOOD, SIDE ENTRY PG21, METAL DOUBLE LOCKING, POWDER COATED, GREY H24B上壳, 侧出PG21, 彩锌双扣, 灰色粉末喷涂	PG21	-	
PART NUMBER 料号	PART DESCRIPTION 描述		PG/M THREAD 1 PG/M 螺纹孔1	PG/M THREAD 2 PG/M 螺纹孔2	TYPE 类型

THIS DRAWING IS A CONTROLLED DOCUMENT.

DWN DAVID.WANG 29MAY2015  
 CHK CHRIS.WANG 29MAY2015  
 APVD XIANG.XU 29MAY2015

**STE** TE Connectivity

DIMENSIONS:	TOLERANCES UNLESS OTHERWISE SPECIFIED:
mm	0 PLC ± 1 PLC ± 2 PLC ± 3 PLC ± 4 PLC ± ANGLES ± FINISH

PRODUCT SPEC 108-137013  
 APPLICATION SPEC 114-137013  
 WEIGHT -

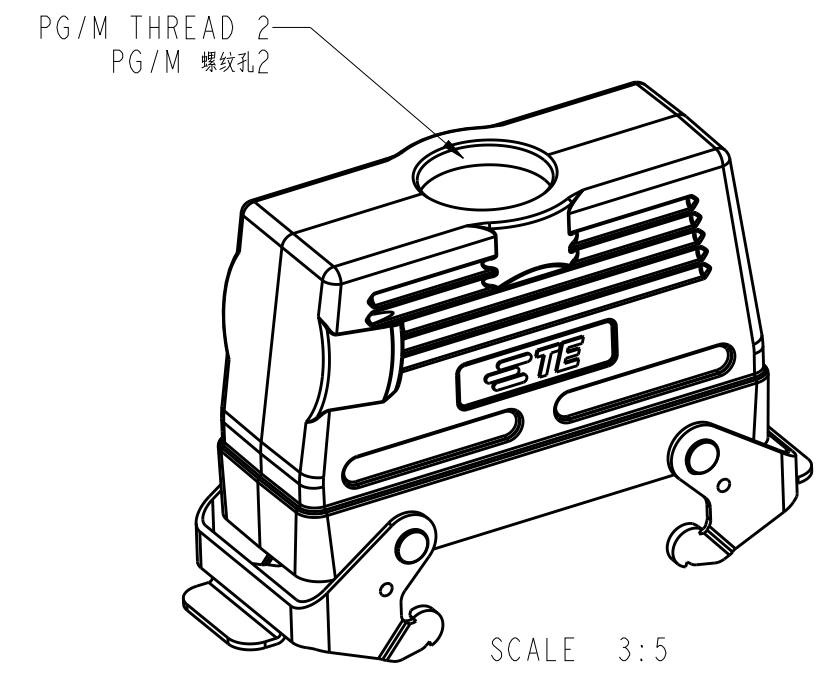
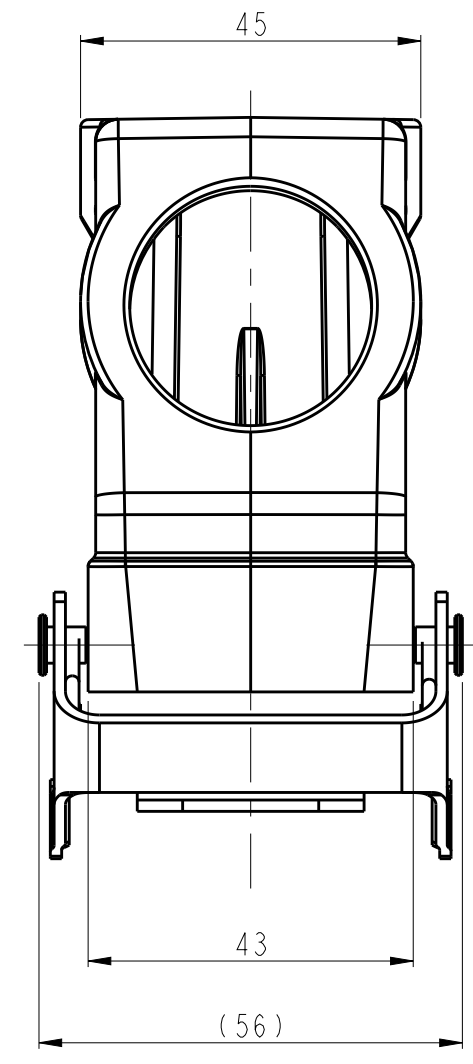
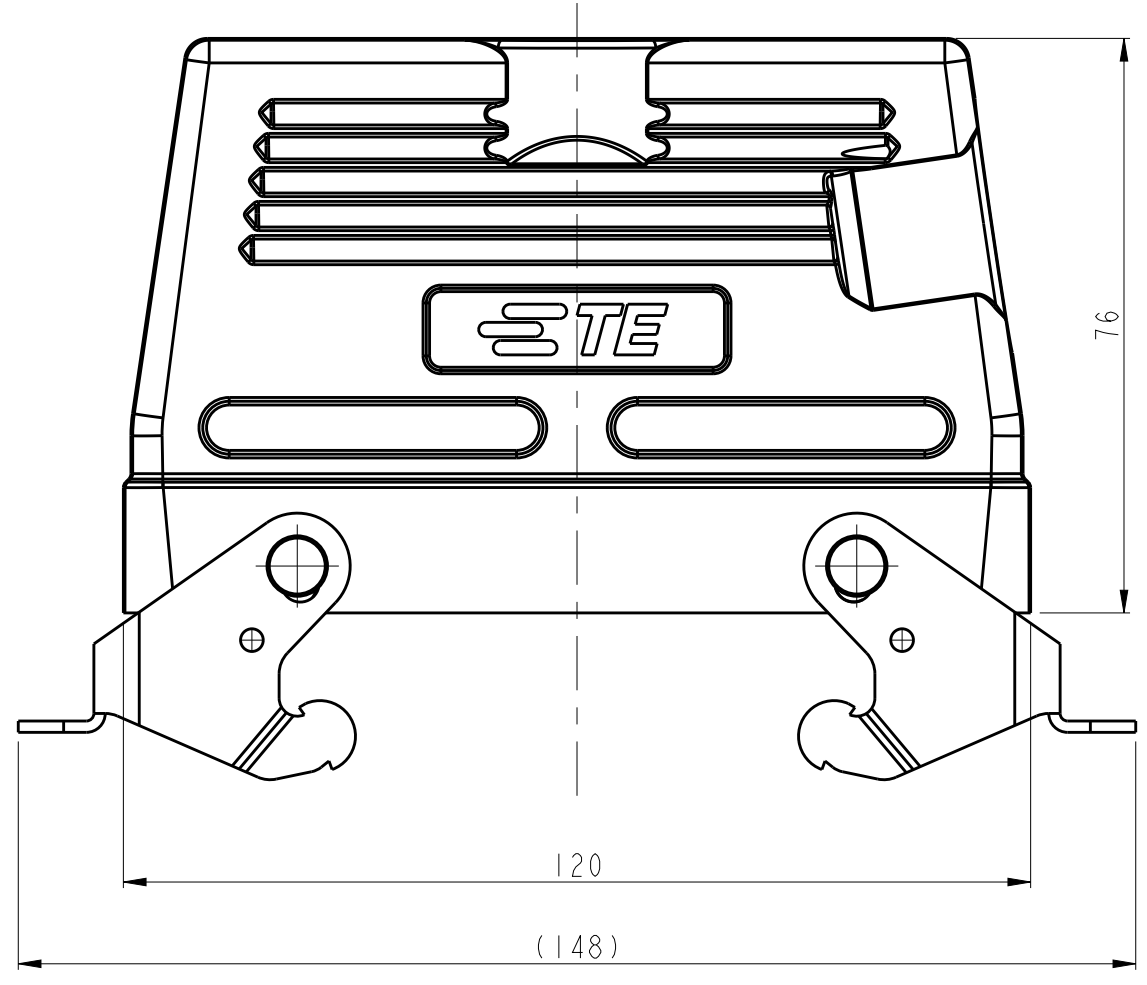
NAME	SIZE	CAGE CODE	DRAWING NO	RESTRICTED TO
H24B-TSB/TGB/TSBH/TGBH-M/PG	A2	00779	G-T12X024XXXX000	-

MATERIAL -  
Customer Drawing

SCALE 1:1 SHEET 1 OF 2 REV AI

THIS DRAWING IS UNPUBLISHED. RELEASED FOR PUBLICATION 20  
 © COPYRIGHT 20 BY - ALL RIGHTS RESERVED.

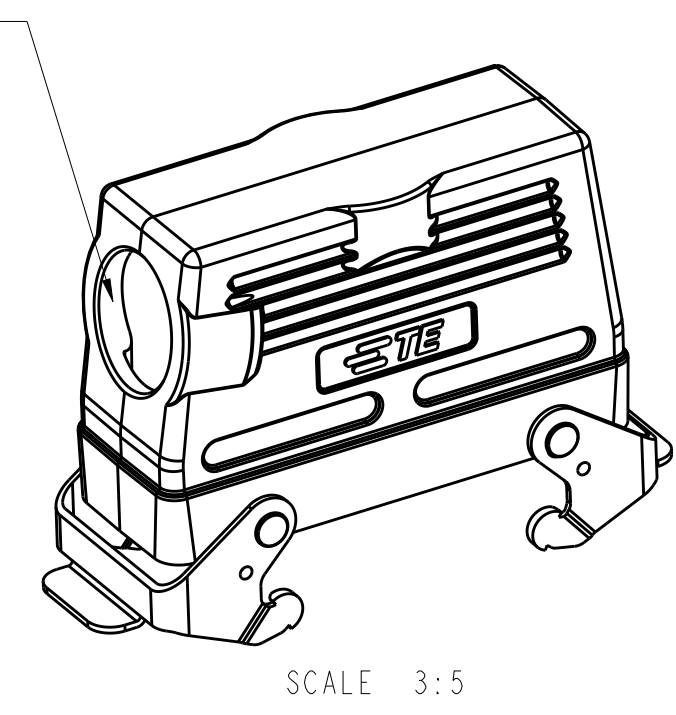
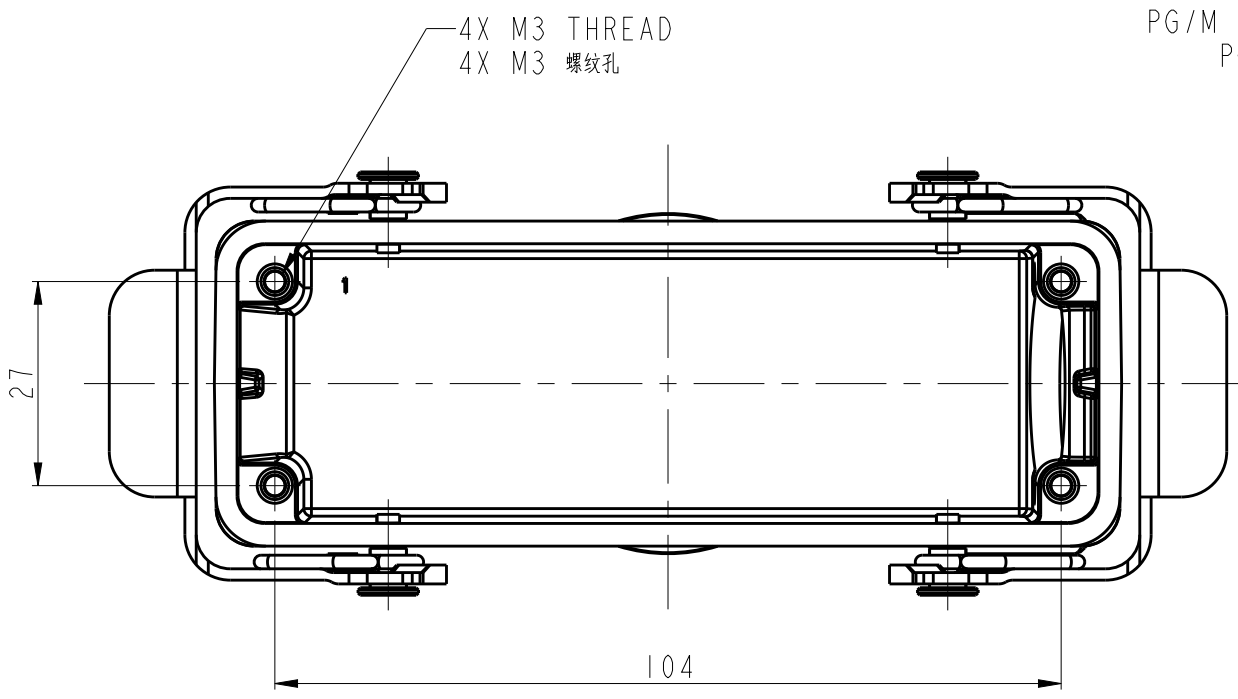
REVISIONS				
P	LTR	DESCRIPTION	DATE	APVD
-	-	SEE SHEET 1	-	-



NOTES:  
SEE SHEET 1

TYPE 4: HIGH CONSTRUCTION, TOP ENTRY WITH STEEL DOUBLE LOCKING  
 OTHER SPEC REFER TO TYPE 3  
 类型4: 高结构, 顶出, 带彩锌双扣, 其它规格参照类型3

PART NUMBER	PART DESCRIPTION	PG/M THREAD 1	PG/M THREAD 2	TYPE
料号	描述	PG/M 螺纹孔1	PG/M 螺纹孔2	类型
T1280242140-000	H10B-TGBH-M40 H24B HOOD, TOP ENTRY M40, METAL DOUBLE LOCKING, HIGH CONSTRUCTION, POWDER COATED, GREY H24B上壳, 顶出M40, 彩锌双扣, 高结构, 灰色粉末喷涂	-	M40	TYPE 4 类型4
T1280242132-000	H24B-TGBH-M32 H24B HOOD, TOP ENTRY M32, METAL DOUBLE LOCKING, HIGH CONSTRUCTION, POWDER COATED, GREY H24B上壳, 顶出M32, 彩锌双扣, 高结构, 灰色粉末喷涂	-	M32	
T1280242129-000	H24B-TGBH-PG29 H24B HOOD, TOP ENTRY PG29, METAL DOUBLE LOCKING, HIGH CONSTRUCTION, POWDER COATED, GREY H24B上壳, 顶出PG29, 彩锌双扣, 高结构, 灰色粉末喷涂	-	PG29	
T1280242125-000	H24B-TGBH-M25 H24B HOOD, TOP ENTRY M25, METAL DOUBLE LOCKING, HIGH CONSTRUCTION, POWDER COATED, GREY H24B上壳, 顶出M25, 彩锌双扣, 高结构, 灰色粉末喷涂	-	M25	
T1280242121-000	H24B-TGBH-PG21 H24B HOOD, TOP ENTRY PG21, METAL DOUBLE LOCKING, HIGH CONSTRUCTION, POWDER COATED, GREY H24B上壳, 顶出PG21, 彩锌双扣, 高结构, 灰色粉末喷涂	-	PG21	TYPE 3 类型3
T1270242140-000	H24B-TSBH-M40 H24B HOOD, SIDE ENTRY M40, METAL DOUBLE LOCKING, HIGH CONSTRUCTION, POWDER COATED, GREY H24B上壳, 侧出M40, 彩锌双扣, 高结构, 灰色粉末喷涂	M40	-	
T1270242132-000	H24B-TSBH-M32 H24B HOOD, SIDE ENTRY M32, METAL DOUBLE LOCKING, HIGH CONSTRUCTION, POWDER COATED, GREY H24B上壳, 侧出M32, 彩锌双扣, 高结构, 灰色粉末喷涂	M32	-	
T1270242129-000	H24B-TSBH-PG29 H24B HOOD, SIDE ENTRY PG29, METAL DOUBLE LOCKING, HIGH CONSTRUCTION, POWDER COATED, GREY H24B上壳, 侧出PG29, 彩锌双扣, 高结构, 灰色粉末喷涂	PG29	-	
T1270242121-000	H24B-TSBH-PG21 H24B HOOD, SIDE ENTRY PG21, METAL DOUBLE LOCKING, HIGH CONSTRUCTION, POWDER COATED, GREY H24B上壳, 侧出PG21, 彩锌双扣, 高结构, 灰色粉末喷涂	PG21	-	



TYPE 3: HIGH CONSTRUCTION, SIDE ENTRY WITH STEEL DOUBLE LOCKING  
 类型3: 高结构, 侧出, 带彩锌双扣

THIS DRAWING IS A CONTROLLED DOCUMENT. DWN DAVID.WANG 29MAY2015  
 CHK CHRIS.WANG 29MAY2015  
 APVD XIANG.XU 29MAY2015

**STE** TE Connectivity

NAME: H24B-TSB/TGB/TSBH/TGBH-M/PG

PRODUCT SPEC: 108-137013  
 APPLICATION SPEC: 114-137013

SIZE: A2 CAGE CODE: 00779 DRAWING NO: T12X024XXXX000 RESTRICTED TO: -  
 SCALE: 1:1 SHEET: 2 OF 2 REV: A1

Customer Drawing

## X-ON Electronics

Largest Supplier of Electrical and Electronic Components

*Click to view similar products for [Heavy Duty Power Connectors](#) category:*

*Click to view products by [TE Connectivity](#) manufacturer:*

Other Similar products are found below :

[1424439](#) [1424438](#) [09330062652](#) [2-8675P1](#) [605601-1](#) [6340G1](#) [6341G1](#) [6360G1](#) [6373G1](#) [6374g2](#) [6396G1](#) [647757-1](#) [66394-4](#) [6643411-1](#)  
[6646058-2](#) [6646137-1](#) [6646138-1](#) [6646348-1](#) [6646479-1](#) [6646608-1](#) [6646786-1](#) [6646940-1](#) [6651091-1](#) [6651525-1](#) [6651529-1](#) [6651778-1](#)  
[6651788-1](#) [696465-1](#) [696475-1](#) [73000005059](#) [73000005349](#) [73000005642](#) [73080255059](#) [73080965046](#) [765-15-0080A](#) [765-16-0080B](#)  
[789.700-44](#) [789.700-54](#) [80-1010](#) [80-9](#) [827381-1](#) [829992-1](#) [902-77-02113](#) [PL00U-301-10D10](#) [PM103MOOLOO](#) [PM16S1620S32-50](#)  
[PM212MOOLOO](#) [PM309FOOLOO](#) [PM324FOOLCH](#) [PMHPAF11S03](#)