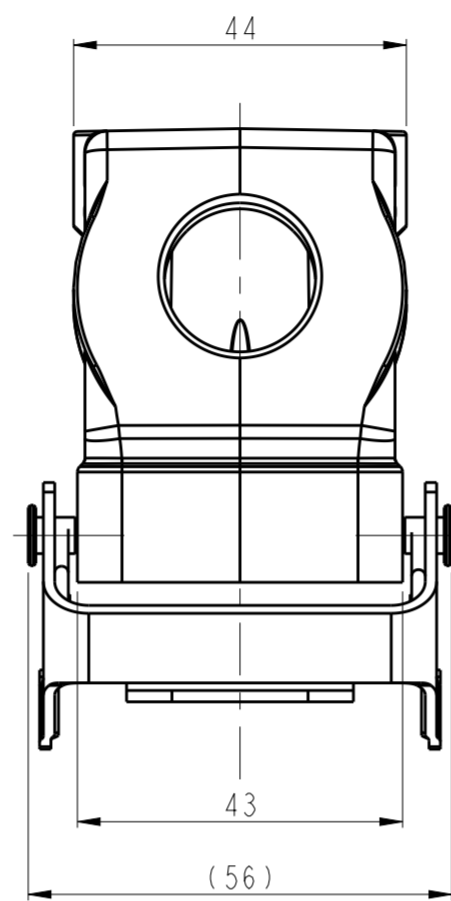
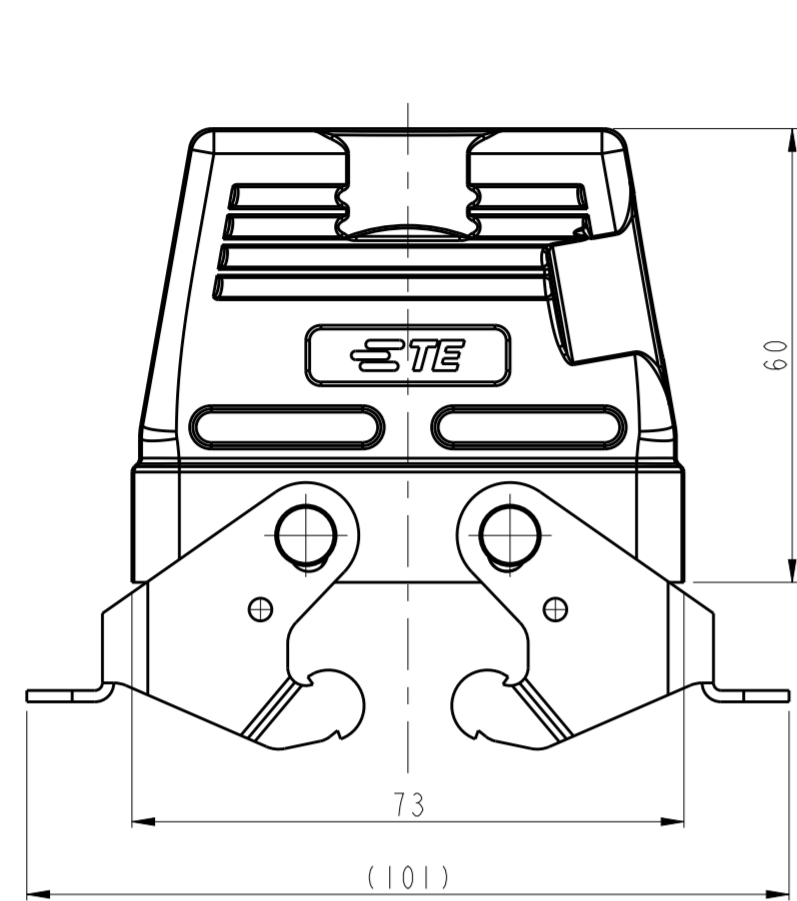
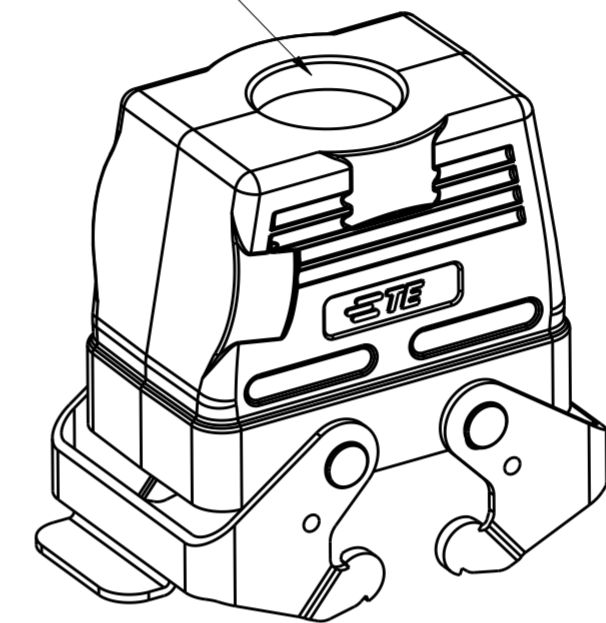


THIS DRAWING IS UNPUBLISHED. RELEASED FOR PUBLICATION 20
 © COPYRIGHT 20 BY - ALL RIGHTS RESERVED.

REVISIONS					
P	LTR	DESCRIPTION	DATE	DWN	APVD
A		INITIAL	24JUN2015	DW	CW
AI		ECR-17-008664	16JUN2017	CH	CW



PG/M THREAD 2
PG/M 螺纹孔2



SCALE 4:5

NOTES:

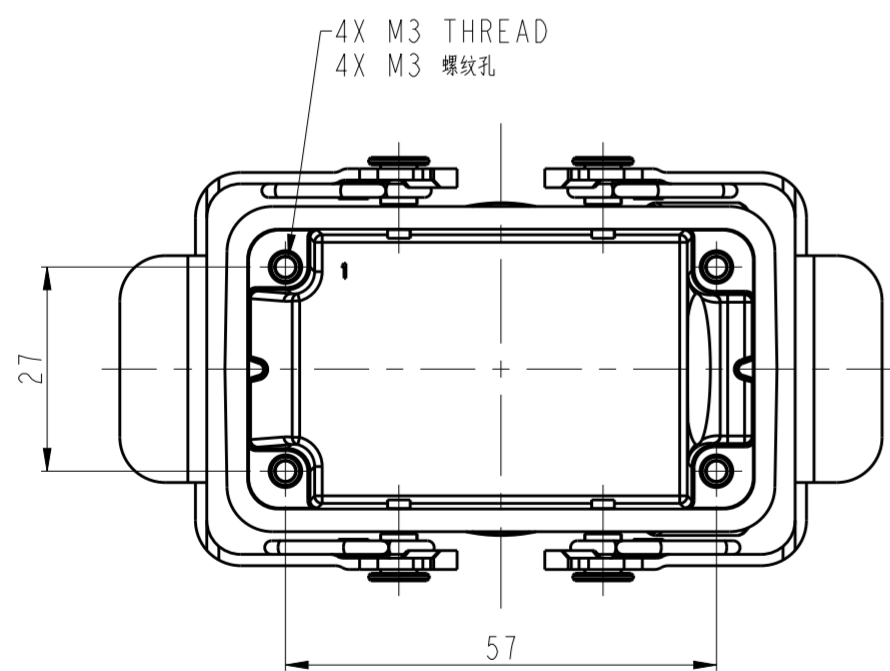
- 1. TECHNICAL CHARACTERISTICS:
 HOOD MATERIAL: DIE CAST ALUMINIUM ALLOY
 SURFACE: POWDER COATED, GREY
 DEGREE OF PROTECTION: IP65 (MATED)

注释:

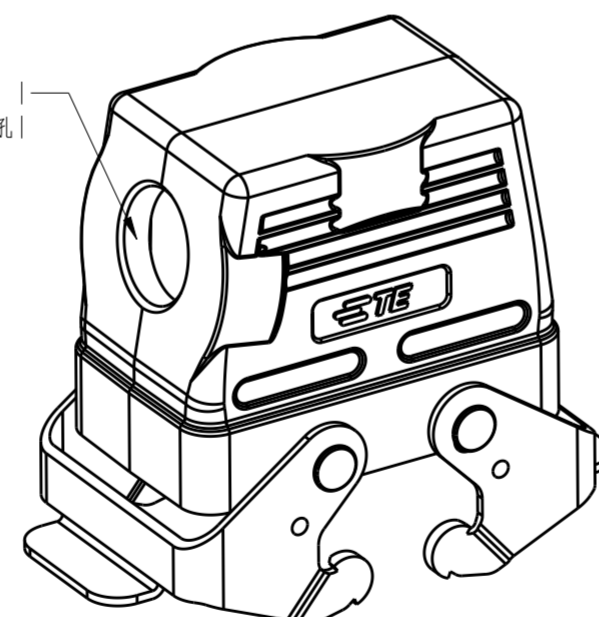
- 1. 技术参数:
 上壳材料: 铝合金
 表面处理: 灰色粉末喷涂
 防护等级: IP65(配合)

TYPE 2: LOW CONSTRUCTION, TOP ENTRY WITH STEEL DOUBLE LOCKING
 OTHER SPEC REFER TO TYPE 1

类型2: 低结构, 顶出, 带彩锌双扣, 其它规格参照类型1



PG/M THREAD 1
PG/M 螺纹孔1



SCALE 4:5

TYPE 1: LOW CONSTRUCTION, SIDE ENTRY WITH STEEL DOUBLE LOCKING

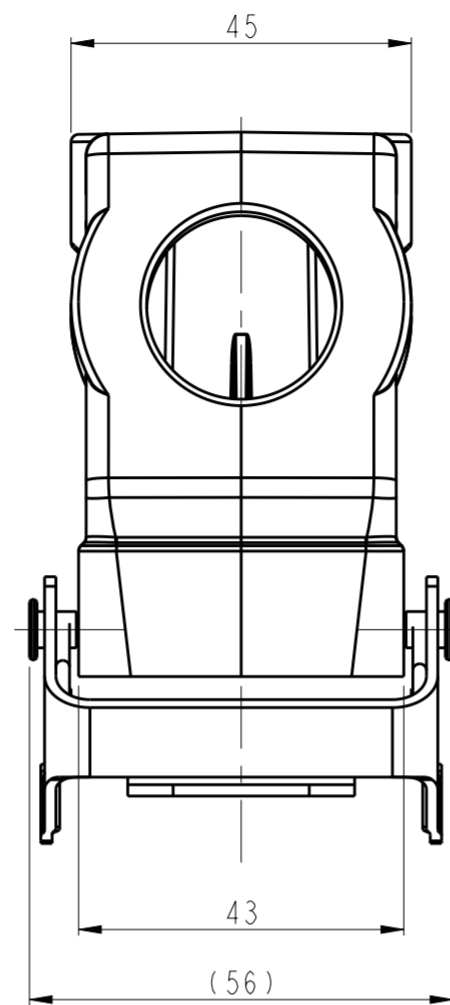
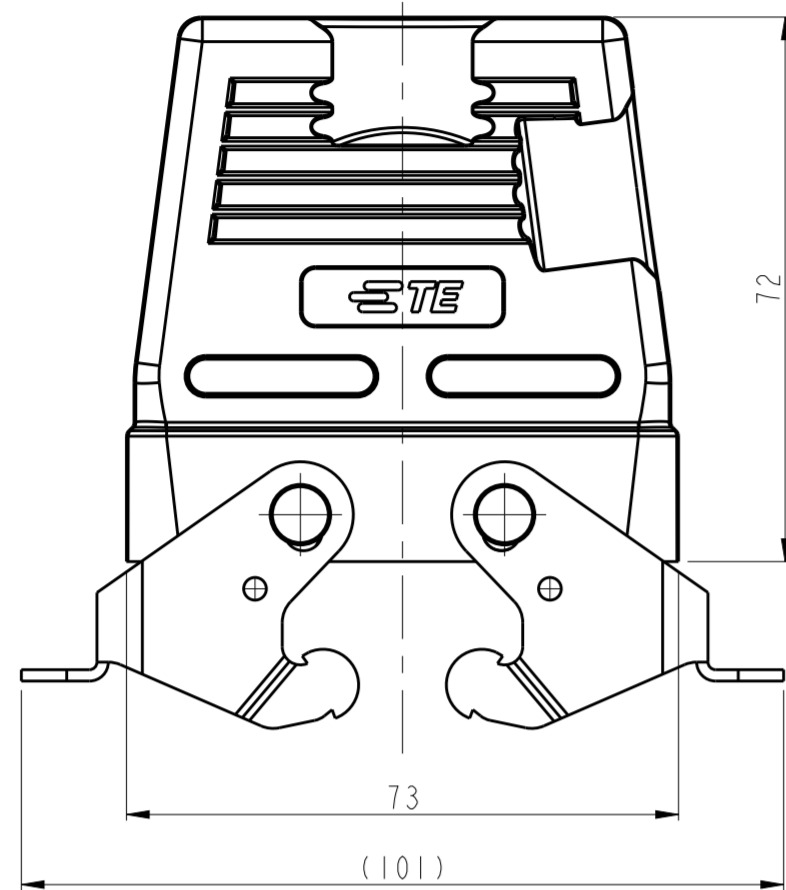
类型1: 低结构, 侧出, 带彩锌双扣

PART NUMBER 料号	PART DESCRIPTION 描述	PG/M THREAD 1 PG/M 螺纹孔1	PG/M THREAD 2 PG/M 螺纹孔2	TYPE 类型
T1260102125-000	H10B-TGB-M25 H10B HOOD, TOP ENTRY M25, METAL DOUBLE LOCKING, POWDER COATED, GREY H10B上壳, 顶出M25, 彩锌双扣, 灰色粉末喷涂	-	M25	TYPE 2 类型2
T1260102121-000	H10B-TGB-PG21 H10B HOOD, TOP ENTRY PG21, METAL DOUBLE LOCKING, POWDER COATED, GREY H10B上壳, 顶出PG21, 彩锌双扣, 灰色粉末喷涂	-	PG21	
T1260102120-000	H10B-TGB-M20 H10B HOOD, TOP ENTRY M20, METAL DOUBLE LOCKING, POWDER COATED, GREY H10B上壳, 顶出M20, 彩锌双扣, 灰色粉末喷涂	-	M20	
T1260102116-000	H10B-TGB-PG16 H10B HOOD, TOP ENTRY PG16, METAL DOUBLE LOCKING, POWDER COATED, GREY H10B上壳, 顶出PG16, 彩锌双扣, 灰色粉末喷涂	-	PG16	TYPE 1 类型1
T1250102125-000	H10B-TSB-M25 H10B HOOD, SIDE ENTRY M25, METAL DOUBLE LOCKING, POWDER COATED, GREY H10B上壳, 侧出M25, 彩锌双扣, 灰色粉末喷涂	M25	-	
T1250102120-000	H10B-TSB-M20 H10B HOOD, SIDE ENTRY M20, METAL DOUBLE LOCKING, POWDER COATED, GREY H10B上壳, 侧出M20, 彩锌双扣, 灰色粉末喷涂	M20	-	
T1250102116-000	H10B-TSB-PG16 H10B HOOD, SIDE ENTRY PG16, METAL DOUBLE LOCKING, POWDER COATED, GREY H10B上壳, 侧出PG16, 彩锌双扣, 灰色粉末喷涂	PG16	-	

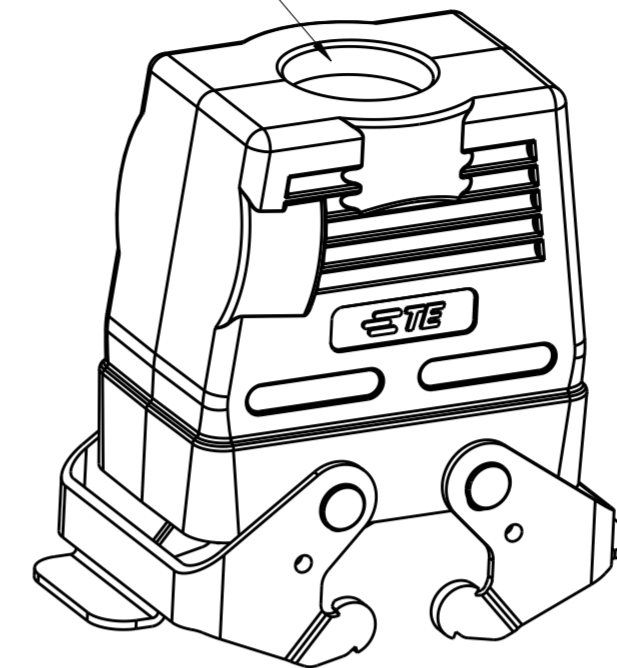
THIS DRAWING IS A CONTROLLED DOCUMENT.		DWN DAVID.WANG 24JUN2015	TE Connectivity	
		CHK CHRIS.WANG 24JUN2015		
		APVD XIANG.XU 24JUN2015	NAME H10B-TSB/TGB/TSBH/TGBH-M/PG	
DIMENSIONS: mm		PRODUCT SPEC 108-137013	SIZE A2	
TOLERANCES UNLESS OTHERWISE SPECIFIED:		APPLICATION SPEC 114-137013	CAGE CODE 00779	DRAWING NO. C-T12X01021XX000
MATERIAL		WEIGHT	RESTRICTED TO	
		Customer Drawing	SCALE 1:1	SHEET 1 OF 2

THIS DRAWING IS UNPUBLISHED. RELEASED FOR PUBLICATION 20
 © COPYRIGHT 20 BY - ALL RIGHTS RESERVED.

REVISIONS				
P	LTR	DESCRIPTION	DATE	APVD
-	-	SEE SHEET 1	-	-



PG/M THREAD 2
PG/M 螺纹孔2



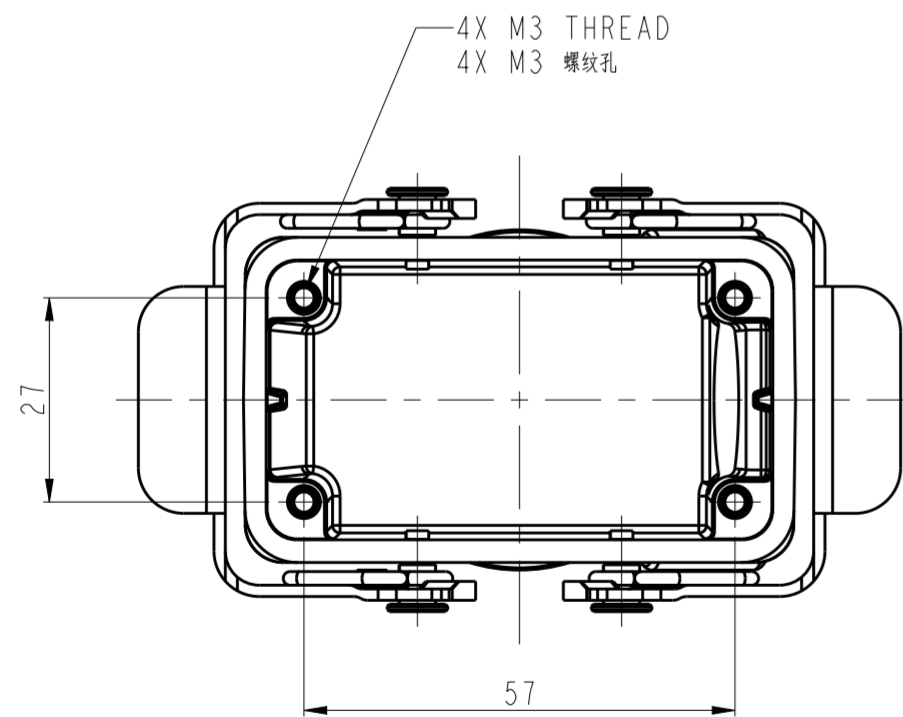
SCALE 4:5

TYPE 4: HIGH CONSTRUCTION, TOP ENTRY WITH STEEL DOUBLE LOCKING OTHER SPEC REFER TO TYPE 3

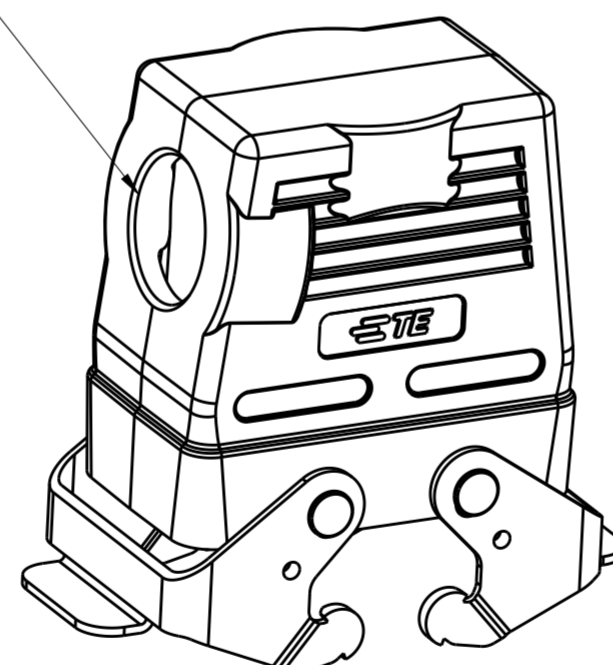
类型4: 高结构, 顶出, 带彩锌双扣, 其它规格参照类型3

NOTES:
SEE SHEET 1

PART NUMBER	PART DESCRIPTION	PG/M THREAD 1	PG/M THREAD 2	TYPE
料号	描述	PG/M 螺纹孔1	PG/M 螺纹孔2	类型
T1280102132-000	H10B-TGBH-M32 H10B HOOD, TOP ENTRY M32, METAL DOUBLE LOCKING, HIGH CONSTRUCTION, POWDER COATED, GREY H10B上壳, 顶出M32, 彩锌双扣, 高结构, 灰色粉末喷涂	-	M32	TYPE 4 类型4
T1280102129-000	H10B-TGBH-PG29 H10B HOOD, TOP ENTRY PG29, METAL DOUBLE LOCKING, HIGH CONSTRUCTION, POWDER COATED, GREY H10B上壳, 顶出PG29, 彩锌双扣, 高结构, 灰色粉末喷涂	-	PG29	
T1280102125-000	H10B-TGBH-M25 H10B HOOD, TOP ENTRY M25, METAL DOUBLE LOCKING, HIGH CONSTRUCTION, POWDER COATED, GREY H10B上壳, 顶出M25, 彩锌双扣, 高结构, 灰色粉末喷涂	-	M25	
T1280102121-000	H10B-TGBH-PG21 H10B HOOD, TOP ENTRY PG21, METAL DOUBLE LOCKING, HIGH CONSTRUCTION, POWDER COATED, GREY H10B上壳, 顶出PG21, 彩锌双扣, 高结构, 灰色粉末喷涂	-	PG21	
T1270102140-000	H10B-TSBH-M40 H10B HOOD, SIDE ENTRY M40, METAL DOUBLE LOCKING, HIGH CONSTRUCTION, POWDER COATED, GREY H10B上壳, 侧出M40, 彩锌双扣, 高结构, 灰色粉末喷涂	M40	-	TYPE 3 类型3
T1270102132-000	H10B-TSBH-M32 H10B HOOD, SIDE ENTRY M32, METAL DOUBLE LOCKING, HIGH CONSTRUCTION, POWDER COATED, GREY H10B上壳, 侧出M32, 彩锌双扣, 高结构, 灰色粉末喷涂	M32	-	
T1270102129-000	H10B-TSBH-PG29 H10B HOOD, SIDE ENTRY PG29, METAL DOUBLE LOCKING, HIGH CONSTRUCTION, POWDER COATED, GREY H10B上壳, 侧出PG29, 彩锌双扣, 高结构, 灰色粉末喷涂	PG29	-	
T1270102125-000	H10B-TSBH-M25 H10B HOOD, SIDE ENTRY M25, METAL DOUBLE LOCKING, HIGH CONSTRUCTION, POWDER COATED, GREY H10B上壳, 侧出M25, 彩锌双扣, 高结构, 灰色粉末喷涂	M25	-	
T1270102121-000	H10B-TSBH-PG21 H10B HOOD, SIDE ENTRY PG21, METAL DOUBLE LOCKING, HIGH CONSTRUCTION, POWDER COATED, GREY H10B上壳, 侧出PG21, 彩锌双扣, 高结构, 灰色粉末喷涂	PG21	-	



PG/M THREAD 1
PG/M 螺纹孔1



SCALE 4:5

TYPE 3: HIGH CONSTRUCTION, SIDE ENTRY WITH STEEL DOUBLE LOCKING

类型3: 高结构, 侧出, 带彩锌双扣

THIS DRAWING IS A CONTROLLED DOCUMENT.		DWN 24 JUN 2015 DAVID.WANG	TE Connectivity	
		CHK 24 JUN 2015 CHRIS.WANG		
DIMENSIONS: mm		APVD 24 JUN 2015 XIANG.XU	NAME H10B-TSB/TGB/TSBH/TGBH-M/PG	
TOLERANCES UNLESS OTHERWISE SPECIFIED:		PRODUCT SPEC 108-137013	RESTRICTED TO	
0 PLC ±		APPLICATION SPEC 114-137013	SIZE A2	CAGE CODE 00779
1 PLC ±		WEIGHT -	DRAWING NO. C-T12X01021XX000	SCALE 1:1
2 PLC ±		Customer Drawing	SHEET 2 OF 2	REV A1
3 PLC ±				
4 PLC ±				
ANGLES ±				
FINISH -				

X-ON Electronics

Largest Supplier of Electrical and Electronic Components

Click to view similar products for [Heavy Duty Power Connectors](#) category:

Click to view products by [TE Connectivity](#) manufacturer:

Other Similar products are found below :

[1424439](#) [1424438](#) [09330062652](#) [2-8675P1](#) [605601-1](#) [6340G1](#) [6341G1](#) [6360G1](#) [6373G1](#) [6374g2](#) [6396G1](#) [647757-1](#) [66394-4](#) [6643411-1](#)
[6646058-2](#) [6646137-1](#) [6646138-1](#) [6646348-1](#) [6646479-1](#) [6646608-1](#) [6646786-1](#) [6646940-1](#) [6651091-1](#) [6651525-1](#) [6651529-1](#) [6651778-1](#)
[6651788-1](#) [696465-1](#) [696475-1](#) [73000005059](#) [73000005349](#) [73000005642](#) [73080255059](#) [73080965046](#) [765-15-0080A](#) [765-16-0080B](#)
[789.700-44](#) [789.700-54](#) [80-1010](#) [80-9](#) [827381-1](#) [829992-1](#) [902-77-02113](#) [PL00U-301-10D10](#) [PM103MOOLOO](#) [PM16S1620S32-50](#)
[PM212MOOLOO](#) [PM309FOOLOO](#) [PM324FOOLCH](#) [PMHPAF11S03](#)