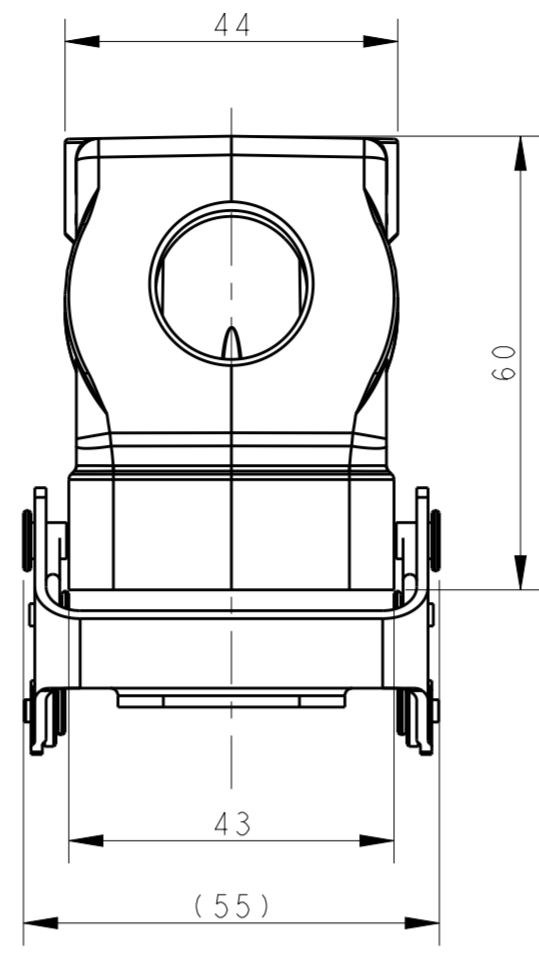
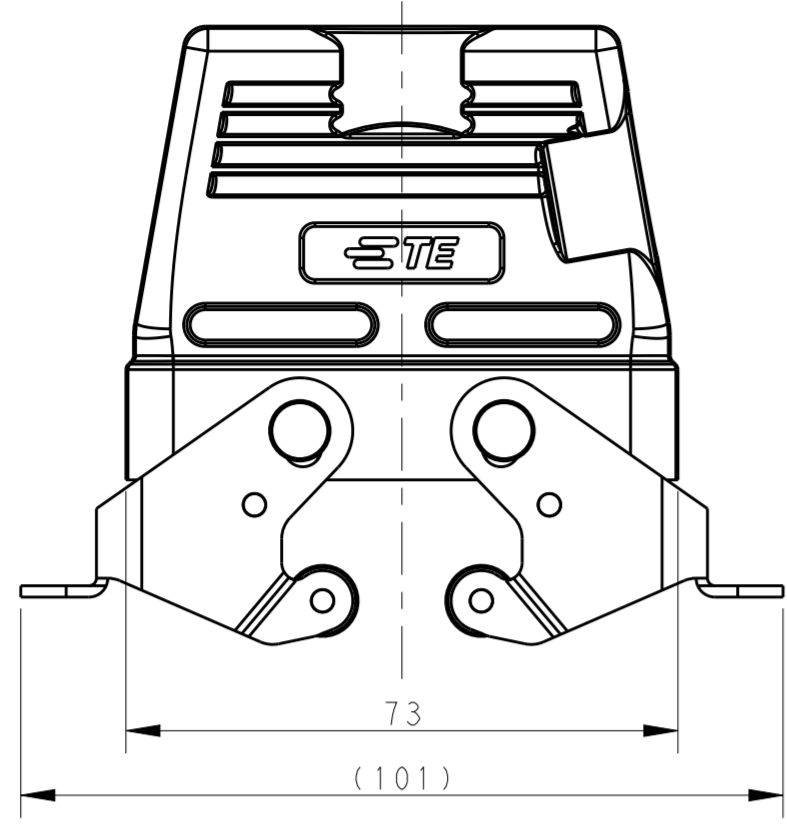


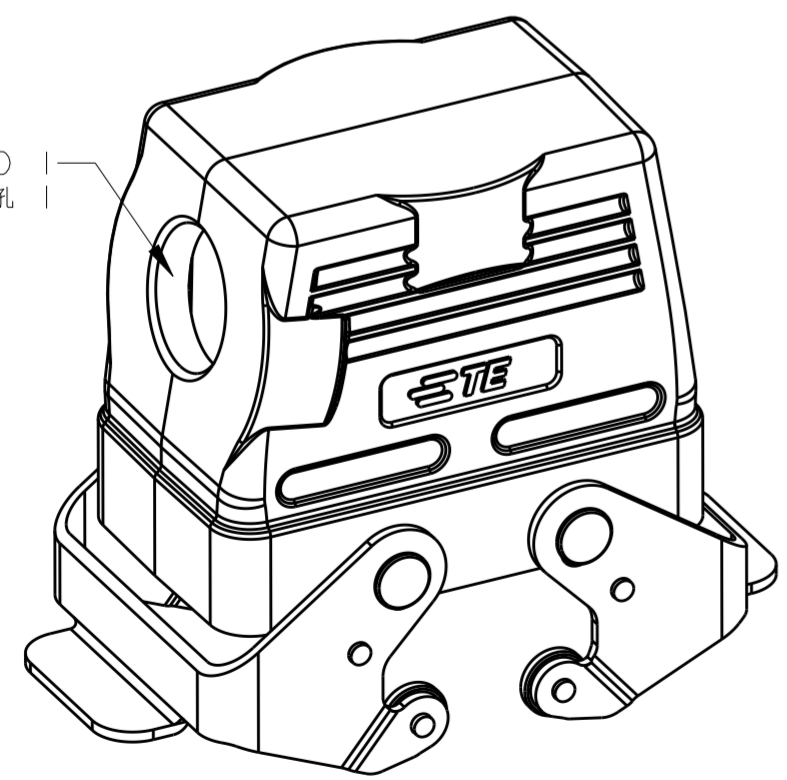
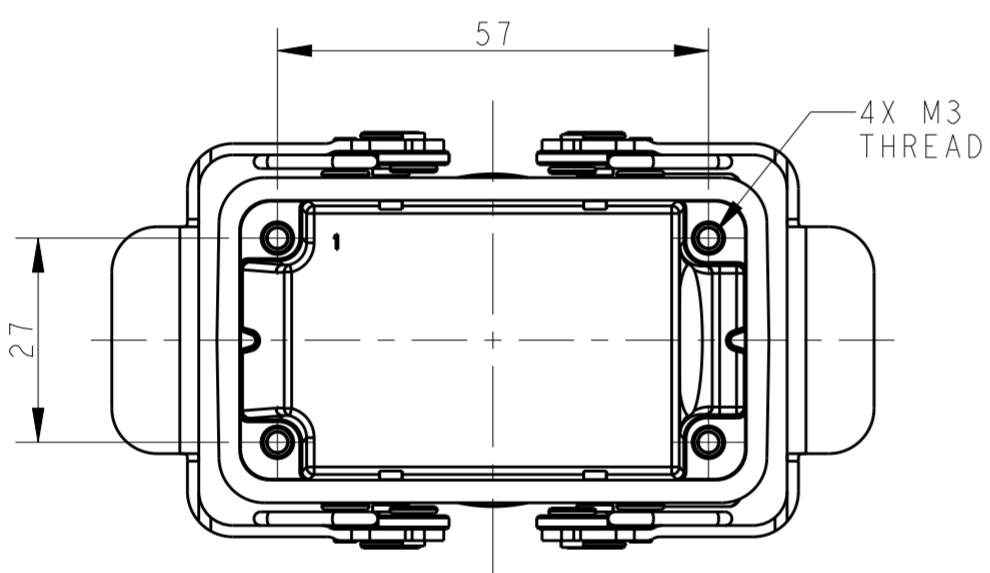
THIS DRAWING IS UNPUBLISHED. RELEASED FOR PUBLICATION 20
 © COPYRIGHT 20 BY - ALL RIGHTS RESERVED.

REVISIONS				
P	LTR	DESCRIPTION	DATE	APVD
A		INITIAL	29MAY2015	DW CW
A1		ECR-17-013895	22SEP2017	RL CW

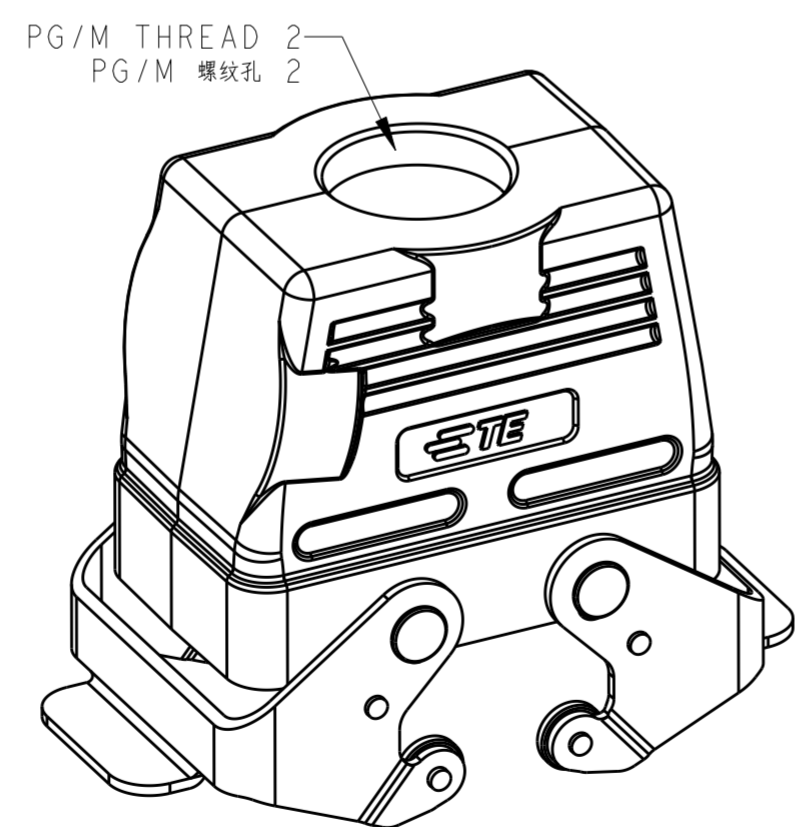


NOTES:
 1. TECHNICAL CHARACTERISTICS:
 HOOD MATERIAL: DIE CAST ALUMINIUM ALLOY
 SURFACE: POWDER COATED, GREY
 DEGREE OF PROTECTION: IP65 (MATED)

注释:
 1. 技术参数:
 上壳材料: 铝合金
 表面处理: 灰色粉末喷涂
 防护等级: IP65(配合)



TYPE 1: LOW CONSTRUCTION, SIDE ENTRY WITH STAINLESS STEEL LOCKING
 类型 1: 低结构, 侧出, 不锈钢双扣



TYPE 2: LOW CONSTRUCTION, TOP ENTRY WITH STAINLESS STEEL LOCKING
 OTHER SPEC REFER TO TYPE 1
 类型 2: 低结构, 侧出, 不锈钢双扣
 其他尺寸参照类型 1

PART NUMBER 料号	PART DESCRIPTION 描述	PG/M THREAD 1 PG/M 螺纹孔 1	PG/M THREAD 2 PG/M 螺纹孔 2	TYPE 类型
TI250103121-000	H10B-TSBS-PG21, STAINLESS STEEL DOUBLE LOCKING, POWDER COATED, GREY H10B上壳, 侧出PG21, 不锈钢双扣, 灰色粉末喷涂	PG21	-	TYPE 1 类型 1
TI250103116-000	H10B-TSBS-PG16, STAINLESS STEEL DOUBLE LOCKING, POWDER COATED, GREY H10B上壳, 侧出PG16, 不锈钢双扣, 灰色粉末喷涂	PG16	-	
TI250103120-000	H10B-TSBS-M20, STAINLESS STEEL DOUBLE LOCKING, POWDER COATED, GREY H10B上壳, 侧出M20, 不锈钢双扣, 灰色粉末喷涂	M20	-	
TI250103125-000	H10B-TSBS-M25, STAINLESS STEEL DOUBLE LOCKING, POWDER COATED, GREY H10B上壳, 侧出M25, 不锈钢双扣, 灰色粉末喷涂	M25	-	TYPE 2 类型 2
TI260103116-000	H10B-TGBS-PG16, STAINLESS STEEL DOUBLE LOCKING, POWDER COATED, GREY H10B上壳, 顶出PG16, 不锈钢双扣, 灰色粉末喷涂	-	PG16	
TI260103120-000	H10B-TGBS-M20, STAINLESS STEEL DOUBLE LOCKING, POWDER COATED, GREY H10B上壳, 顶出M20, 不锈钢双扣, 灰色粉末喷涂	-	M20	
TI260103125-000	H10B-TGBS-M25, STAINLESS STEEL DOUBLE LOCKING, POWDER COATED, GREY H10B上壳, 顶出M25, 不锈钢双扣, 灰色粉末喷涂	-	M25	

THIS DRAWING IS A CONTROLLED DOCUMENT. DWN David Wang 29MAY2015
 CHK Chris Wang 29MAY2015
 APVD Xiang Xu 29MAY2015

STE TE Connectivity

NAME: H10B-TSBS/TGBS/TSBHS/TGBHS-M/PG

PRODUCT SPEC: 108-137013
 APPLICATION SPEC: 114-137013

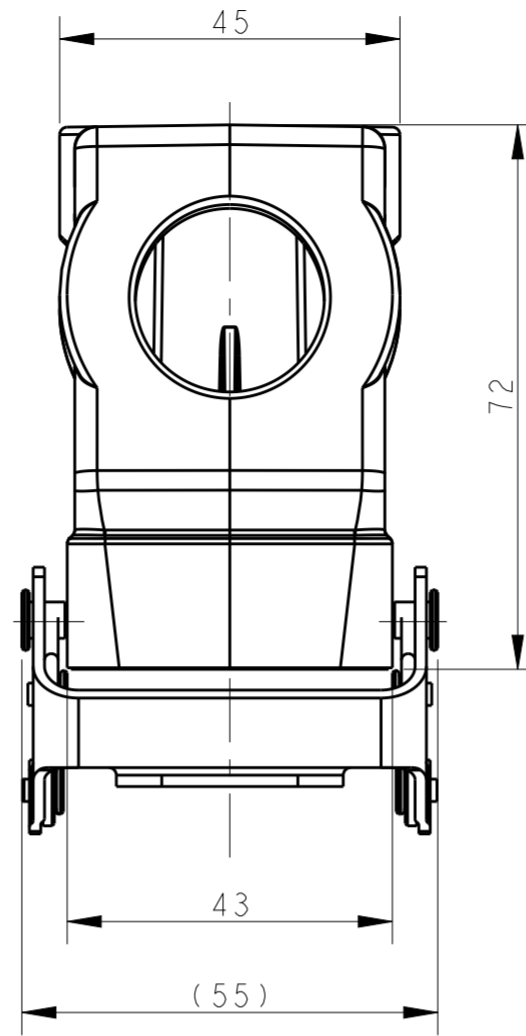
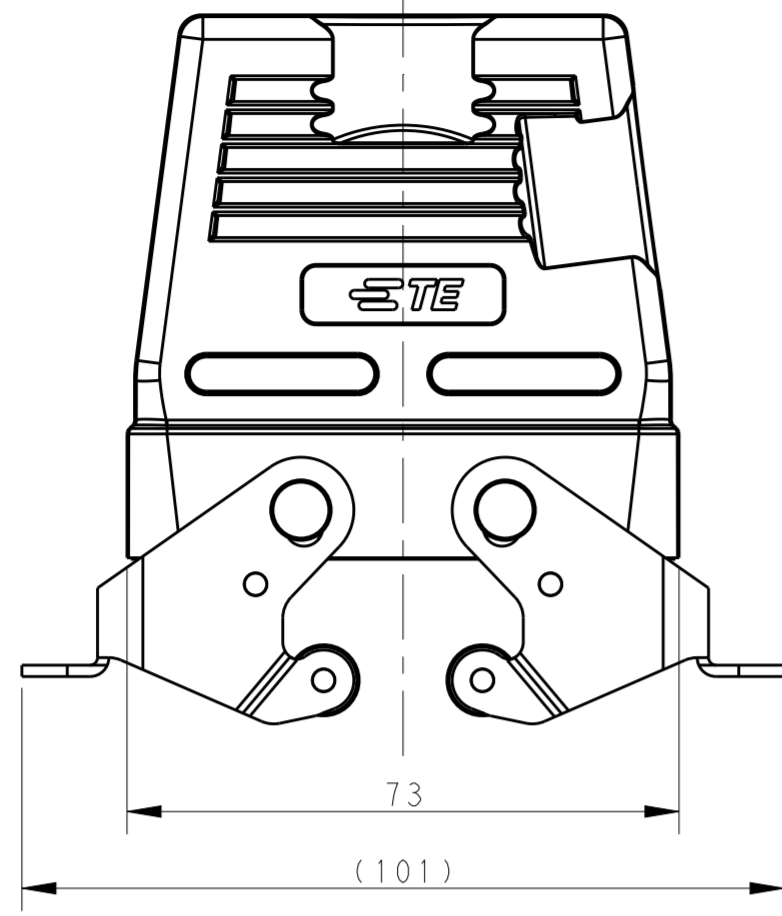
SIZE: A2 CAGE CODE: 00779 DRAWING NO: T12X01031XX000 RESTRICTED TO: -
 WEIGHT: - SCALE: 1:1 SHEET 1 OF 2 REV: A1

MATERIAL: - DIMENSIONS: mm TOLERANCES UNLESS OTHERWISE SPECIFIED:
 0 PLC ±
 1 PLC ±
 2 PLC ±
 3 PLC ±
 4 PLC ±
 ANGLES ±
 FINISH -

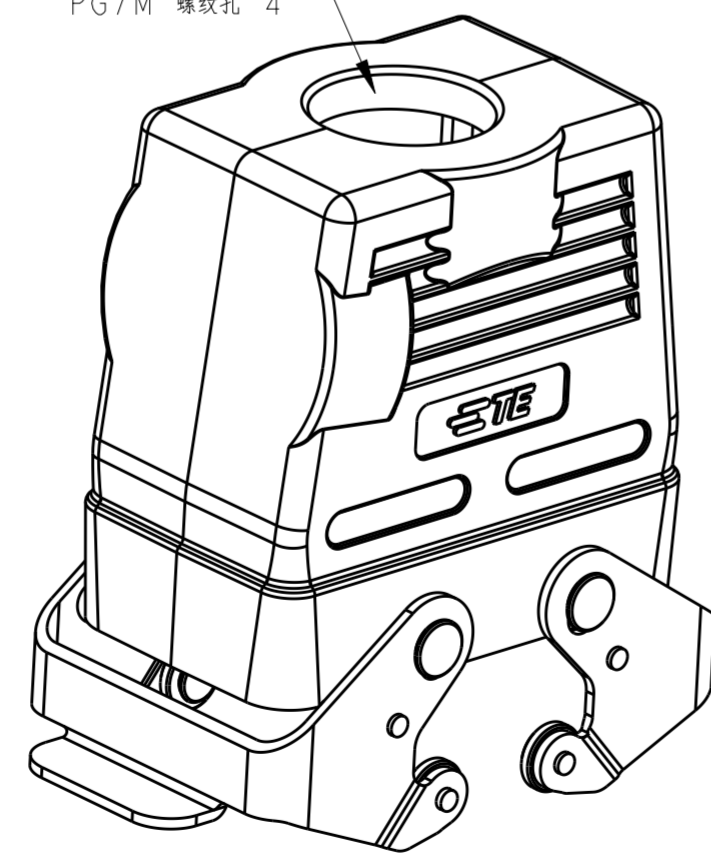
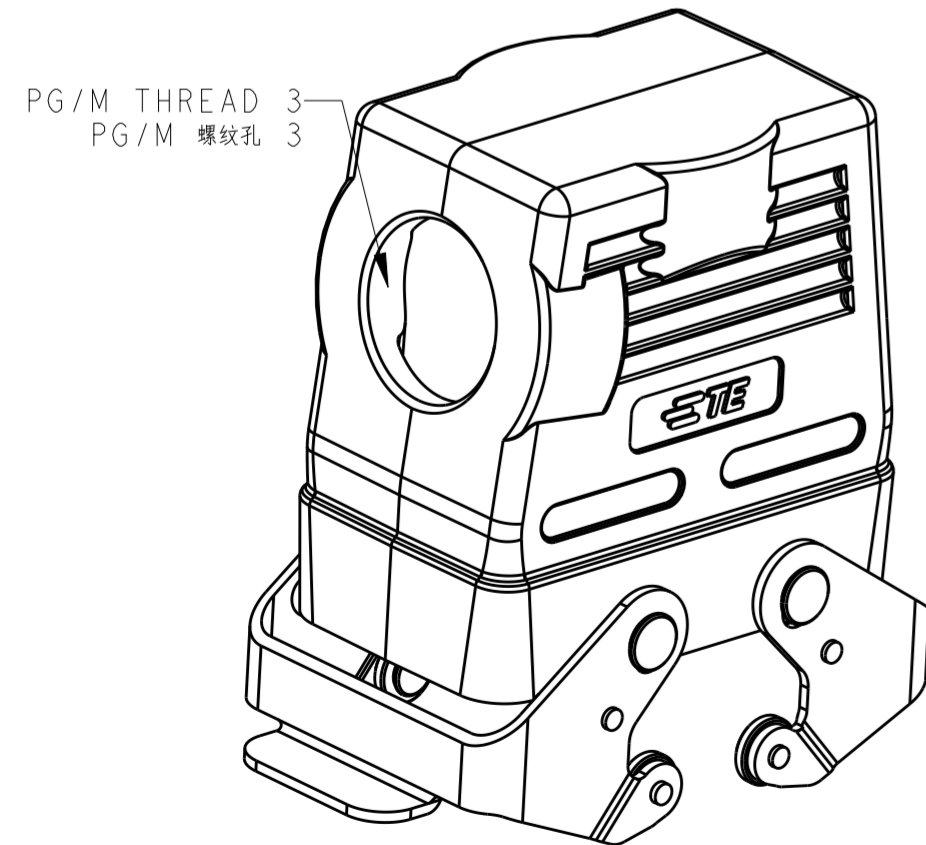
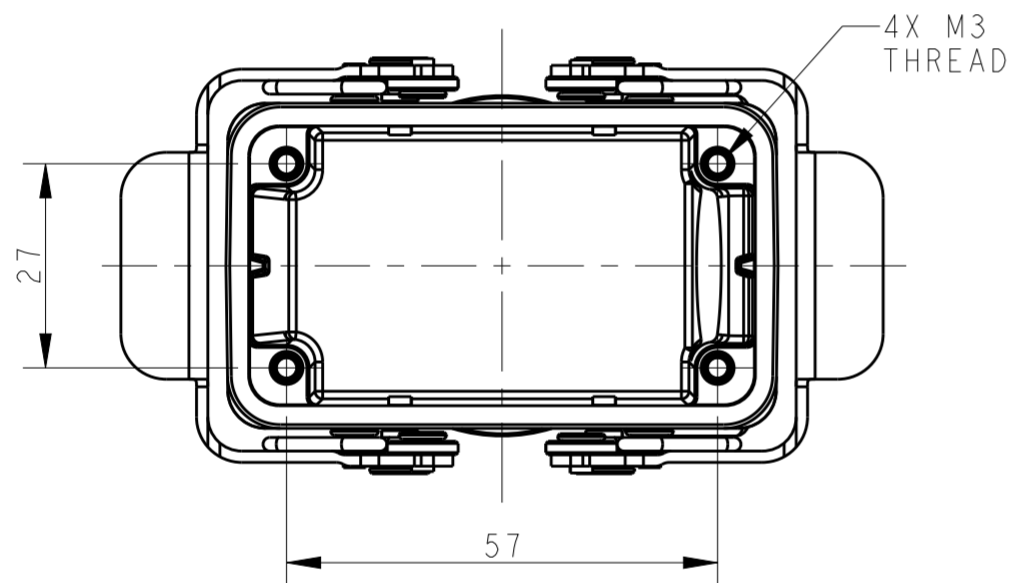
Customer Drawing

THIS DRAWING IS UNPUBLISHED. RELEASED FOR PUBLICATION 20
 © COPYRIGHT 20 BY - ALL RIGHTS RESERVED.

REVISIONS				
P	LTR	DESCRIPTION	DATE	APVD
-	-	SEE SHEET 1	-	-



NOTES:
SEE SHEET 1



TYPE 3: HIGH CONSTRUCTION, SIDE ENTRY WITH STAINLESS STEEL LOCKING
 类型 3: 高结构, 侧出, 不锈钢双扣

TYPE 4: HIGH CONSTRUCTION, TOP ENTRY WITH STAINLESS STEEL LOCKING
 其他尺寸参照类型 3
 类型 4: 高结构, 顶出, 不锈钢双扣
 其他尺寸参照类型 3

T1270103121-000	H10B-TSBHS-PG21	H10B HOOD, SIDE ENTRY PG21, STAINLESS STEEL DOUBLE LOCKING, HIGH CONSTRUCTION, POWDER COATED, GREY H10B上壳, 侧出PG21, 不锈钢双扣, 高结构, 灰色粉末喷涂	PG21	-	TYPE 3 类型 3
T1270103125-000	H10B-TSBHS-M25	H10B HOOD, SIDE ENTRY M25, STAINLESS STEEL DOUBLE LOCKING, HIGH CONSTRUCTION, POWDER COATED, GREY H10B上壳, 侧出M25, 不锈钢双扣, 高结构, 灰色粉末喷涂	M25	-	
T1270103129-000	H10B-TSBHS-PG29	H10B HOOD, SIDE ENTRY PG29, STAINLESS STEEL DOUBLE LOCKING, HIGH CONSTRUCTION, POWDER COATED, GREY H10B上壳, 侧出PG29, 不锈钢双扣, 高结构, 灰色粉末喷涂	PG29	-	
T1270103132-000	H10B-TSBHS-M32	H10B HOOD, SIDE ENTRY M32, STAINLESS STEEL DOUBLE LOCKING, HIGH CONSTRUCTION, POWDER COATED, GREY H10B上壳, 侧出M32, 不锈钢双扣, 高结构, 灰色粉末喷涂	M32	-	
T1270107134-000	H10B-TSBHS-NPT3/4	H10B HOOD, SIDE ENTRY NPT3/4, STAINLESS STEEL DOUBLE LOCKING, HIGH CONSTRUCTION, POWDER COATED, GREY H10B上壳, 侧出NPT3/4, 不锈钢双扣, 高结构, 灰色粉末喷涂	NPT3/4	-	TYPE 4 类型 4
T1280103121-000	H10B-TGBHS-PG21	H10B HOOD, TOP ENTRY PG21, STAINLESS STEEL DOUBLE LOCKING, HIGH CONSTRUCTION, POWDER COATED, GREY H10B上壳, 顶出PG21, 不锈钢双扣, 高结构, 灰色粉末喷涂	-	PG21	
T1280103125-000	H10B-TGBHS-M25	H10B HOOD, TOP ENTRY M25, STAINLESS STEEL DOUBLE LOCKING, HIGH CONSTRUCTION, POWDER COATED, GREY H10B上壳, 顶出M25, 不锈钢双扣, 高结构, 灰色粉末喷涂	-	M25	
T1280103129-000	H10B-TGBHS-PG29	H10B HOOD, TOP ENTRY PG29, STAINLESS STEEL DOUBLE LOCKING, HIGH CONSTRUCTION, POWDER COATED, GREY H10B上壳, 顶出PG29, 不锈钢双扣, 高结构, 灰色粉末喷涂	-	PG29	
T1280103132-000	H10B-TGBHS-M32	H10B HOOD, TOP ENTRY M32, STAINLESS STEEL DOUBLE LOCKING, HIGH CONSTRUCTION, POWDER COATED, GREY H10B上壳, 顶出M32, 不锈钢双扣, 高结构, 灰色粉末喷涂	-	M32	
PART NUMBER 料号	PART DESCRIPTION 描述		PG/M THREAD 3 PG/M 螺纹孔 3	PG/M THREAD 4 PG/M 螺纹孔 4	TYPE 类型

THIS DRAWING IS A CONTROLLED DOCUMENT.

DWN David Wang 29MAY2015
 CHK Chris Wang 29MAY2015
 APVD Xiang Xu 29MAY2015

STE TE Connectivity

NAME H10B-TSBS/TGBS/TSBHS/TGBHS-M/PG

PRODUCT SPEC 108-137013
 APPLICATION SPEC 114-137013

SIZE A2 CAGE CODE 00779 DRAWING NO. C-T12X01031XX000 RESTRICTED TO -
 WEIGHT - SCALE 1:1 SHEET 2 OF 2 REV A1

Customer Drawing

X-ON Electronics

Largest Supplier of Electrical and Electronic Components

Click to view similar products for [Heavy Duty Power Connectors](#) category:

Click to view products by [TE Connectivity](#) manufacturer:

Other Similar products are found below :

[1424439](#) [1424438](#) [09330062652](#) [2-8675P1](#) [605601-1](#) [6340G1](#) [6341G1](#) [6360G1](#) [6373G1](#) [6374g2](#) [6396G1](#) [647757-1](#) [66394-4](#) [6643411-1](#)
[6646058-2](#) [6646137-1](#) [6646138-1](#) [6646348-1](#) [6646479-1](#) [6646608-1](#) [6646786-1](#) [6646940-1](#) [6651091-1](#) [6651525-1](#) [6651529-1](#) [6651778-1](#)
[6651788-1](#) [696465-1](#) [696475-1](#) [73000005059](#) [73000005349](#) [73000005642](#) [73080255059](#) [73080965046](#) [765-15-0080A](#) [765-16-0080B](#)
[789.700-44](#) [789.700-54](#) [80-1010](#) [80-9](#) [827381-1](#) [829992-1](#) [902-77-02113](#) [PL00U-301-10D10](#) [PM103MOOLOO](#) [PM16S1620S32-50](#)
[PM212MOOLOO](#) [PM309FOOLOO](#) [PM324FOOLCH](#) [PMHPAF11S03](#)